



Compression Springs PRODUCT CATALOG 19

SUPERIOR SOLUTIONS. SUPERIOR SELECTION.



COMPRESSION
SPRINGS

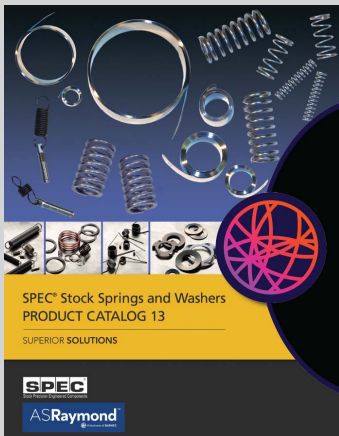
ASRAYMOND

ASRAYMOND has a storied history of supplying leading edge innovators with solutions for over 135 years. Our engineering team today builds on the knowledge and expertise of supplying both traditional and cutting edge industries with solutions for motion control, pressure & vibration, among others. Additionally, we can manufacture to your print (special order component) if you have already designed a solution or provide you with a standard product from our superior catalog of options.

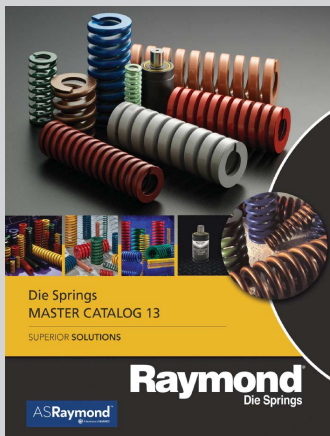


For information on our policies or to learn more about design applications and industry terminology, visit WWW.ASRAYMOND.COM/FAQ

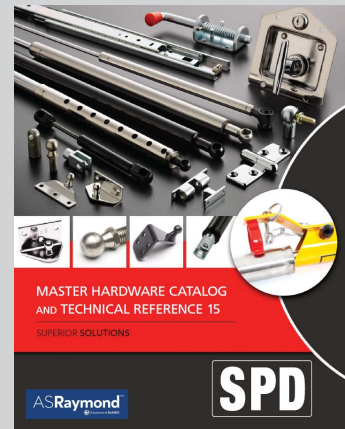
In addition to the products described in this catalog, ASRAYMOND – a worldwide leader in the design, manufacture and sale of springs – also offers a full line of struts, stock springs, washers, hardware and tool & die components.



SPEC Stock Springs & Washers Product Catalog



Die Springs Master Catalog



SPD Master Hardware Catalog & Technical Reference

Precision Catalog and Custom Design Solutions



RAYMOND® DIE SPRINGS

Raymond® Die Springs & Gas Springs provide the Tool & Die and OEM industries with quality parts without compromise. Built to the highest standards, our springs provide competitive advantage for our customers.



MECHANICAL WIRE SPRINGS & WIRE FORMS

SPEC® Mechanical Wire Springs are coiled spring products in a variety of cross sections and forms. When comparing coil springs to flat/stamped springs, they offer increased travel, but with lower loads.



FLAT SPRING SOLUTIONS

SPEC® offers a comprehensive range of flat spring products and custom solutions for limited space/high force applications. DIN 2093, Belleville, Clover® Dome, curved, finger, wave, and multi-wave type springs are offered in a variety of materials and finishes.



RETAINING RINGS

SPEC® Retaining Rings hold shafts in place and springs in bores. Common types for both internal and external fixing are offered. Our standard retaining rings are offered in plain, black oil and zinc plated finishes.



COMPOSITE SPRINGS/SPECIALTY SPRINGS

SPEC® Composite Springs, offered in various configurations and durometers, provide a solution where corrosion, vibration and/or magnetism prevent the use of metallic materials. SPEC® specialty springs are offered in standard type stocked parts, but have infinite possibilities through our engineered solution services.



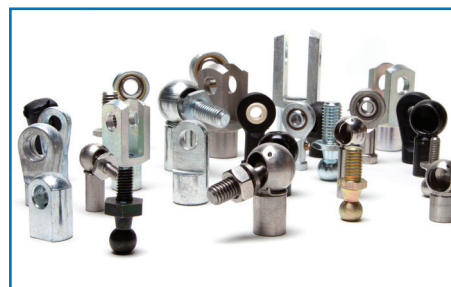
NITROGEN GAS SPRINGS (N-STRUTS®)

SPD n-Struts® are nitrogen gas struts engineered to deliver optimal performance in various applications & environments. Standard parts are offered in coated steel, stainless steel and various locking types available in the catalog. Also, our engineers can help design & manufacture a custom solution.



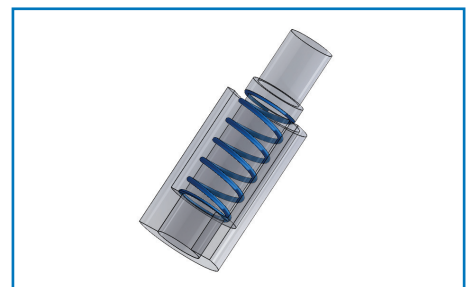
MECHANICAL STRUTS (M-STRUTS®)

Mechanical struts (m-Struts®) offer a seal-less, gas-less, and oil-less solution for strut applications. Catalog Struts are offered in a variety of configurations and materials to suit standard needs. In addition, our Special Order Department can engineer solutions beyond the standard catalog offering.



ENGINEERED HARDWARE

SPD standard selection of Engineered Hardware encompasses a variety of product groups including drawer slides, hinges, handles, latches and locks. SPD hardware is offered in a multitude of materials and finishes and can be customized through our Special Order Department to fit your custom n-Strut or m-Strut needs.



CUSTOM ENGINEERED SOLUTIONS

Our world-class capabilities and design expertise enable us to engineer a multitude of custom solutions for integrated systems, applications and engineered components. Our expertise is in systems that provide counter-balance, isolation, rotation and translation.



ASRaymond™

NEW

ONLINE CATALOG PART SELECTOR TOOLS

FIND AND ORDER THE RIGHT PART FOR YOUR APPLICATION

FAST AND SIMPLE ACCESS

SPECIFY • SELECT • PURCHASE

ASRaymond's Catalog Part Selector tool offers a quick and easy way to specify your product needs and choose from our extensive range of catalog products.

- Find your spring solutions
- Verify load at length calculations
- View 3D model in real time
- Download preferred CAD model and BOM
- Buy now, self quote, or request a quote for large quantities

Whether researching a design or ready to purchase,
Go to **ASRaymond.com** and Sign-Up Today.



Sign up at ASRaymond.com

© Barnes Group Inc. ASR-01 03/2019



Compression Springs 6 - 258
 OD 0.047 - 0.353..... 7 - 55
 OD 0.353 - 0.588..... 56 - 105
 OD 0.588 - 0.970..... 106 - 155
 OD 0.970 - 1.410..... 156 - 205
 OD 1.410 - 2.820..... 206 - 258

316 Stainless Steel Compression Springs 259 - 299

Heavy Duty Compression Springs 300 - 306

Conical Compression Springs..... 307 - 308

MultiWave Compression Springs 309 - 310

Alternative Finishes 311

Custom-Engineered Parts and Special Orders..... 312 - 313

Terms of Sale 318

International Locations..... 319

INTRODUCING the Largest Selection of Compression Springs Available Anywhere!

- Over 34,000 Standard Catalog Compression Spring Options
- Nearly Every Feasible Option from .047 to 2.82 OD
- Reduced Cost and Lead Time Compared to Custom Designs

Visit www.ASRAYMOND.com for Pricing.

COMPRESSION SPRINGS

Stock sizes in music wire and stainless steel

ASRaymond provides design engineers, draftsmen, production and maintenance departments with a broad variety of precision-engineered helical compression springs. They are reliable, inexpensive and efficient – the right combination for general-purpose use throughout industry.

Material

Part numbers starting with **C** in the following pages:

Music wire: ASTM A228 or AMS 5112

Stainless steel: Type 302 per ASTM A313 or AMS 5688 spring temper (Chemical and Physical only)

Part numbers starting with **D** in the following pages:

Music wire: DIN 17223 or EN 10270-1 or JIS G4314 SWP-A/B or AMS 5112

Stainless steel: Type 301, 302 or 304 per DIN 17224 or EN 10270-3 or JIS G4314 SUS 302/304 or AMS 5688 spring temper (chemical and physical only)

Music wire will be furnished unless stainless steel is specified.

When inquiring or ordering, please use letter "M" or letter "S" as suffix to designate music wire or stainless steel, respectively.

Music wire springs are not recommended for applications where the temperature exceeds 121 degrees C. (250 degrees F). Stainless steel is not recommended above 260 degrees C. (500 degrees F).

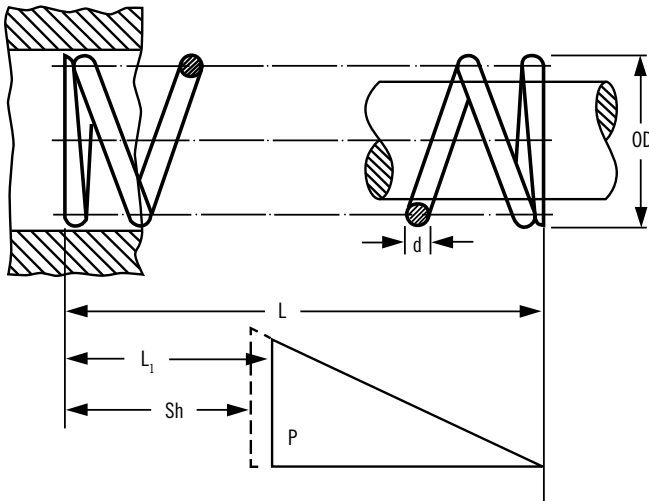
Stainless steel is **slightly magnetic** due to cold working during manufacturing. Stainless steel springs may have a slight residue of nickel on the surface of the wire. This is normal and will not affect the function of the part.

Wire diameter is prior to forming.

No charge for certificate of compliance when requested; certificate of chemical analysis available only for part numbers starting with **C** in the following pages (an additional charge applies).

Coil Direction (helix)

Right hand. Coil count is for reference only.



Free Length

Free length is reference only.

Ends

Parts are squared and ground unless denoted with with an *. Parts ending with an * are squared and not ground. However, springs with wire diameter $\leq 0.020"$ (.5mm) may be squared, not ground.

Tolerances

Part numbers starting with **C** in the following pages:

O.D. (English)	O.D. (Metric)
0.057 to 0.119" +/- 0.003"	1.45 to 3.02 mm +/- 0.08 mm
0.120 to 0.240" +/- 0.005"	3.05 to 6.10 mm +/- 0.13 mm
0.241 to 0.500" +/- 0.008"	6.12 to 12.70 mm +/- 0.20 mm
0.501 to 1.000" +/- 0.015"	12.73 to 25.40 mm +/- 0.38 mm
1.001 to 1.225" +/- 0.020"	25.43 to 31.12 mm +/- 0.51 mm
1.226 to 1.460" +/- 0.030"	31.14 to 37.08 mm +/- 0.76 mm
1.461 to 2.000" +/- 0.040"	37.11 to 50.80 mm +/- 1.02 mm

Part numbers starting with **D** in the following pages:

All dimensions, loads and rates listed are to DIN 2095 (Grade 2).

Loads & Spring Rate

Load and rate values are shown for both music wire and stainless steel in their respective columns.

Load P at L_1 and spring rate R are +/- 10.0% – load at any other point is for reference only.

For normal service, springs should not be compressed below L_1 (may take set beyond L_1). Load values at lengths other than L_1 can be approximated by multiplying the proposed deflection by the rate R. $P = (L - L_x) \times R$ where L_x is the new load height. Load at L_x should be reference only. Contact our engineering department if more stringent requirements are needed.

Surface Finish

Music wire: oil

Stainless steel: Only part numbers starting with C on the following pages are passivated. All others are plain wire.

Special finishes available upon request. See page 311 for alternative finishes.

Packaging

Parts are bulk-packed. Due to physical characteristics, tangling can occur during transit on wire sizes under .035" (.89mm). Please inquire about special packaging when ordering.

OD= Outside diameter

d = Wire diameter

Sh = Approx Solid Height

L = Free length (reference use only)

L_1 = Loaded length (minimum working length)

P = Load at L_1

SPEC Compression springs are also available in various materials such as:

- Hard Drawn Steel
- Oil Tempered Wire
- Chrome Vanadium
- Chrome Silicon
- Phosphor Bronze
- Inconel®
- Monel®
- Beryllium Copper
- Elgiloy®
- Zinc Coated Music Wire

Part numbers in **bold** represent the newly expanded ASRaymond compression spring offering.

MUSIC WIRE

Table with columns: Catalog #, Outside Diameter (OD) in/mm, Wire Diameter (d) in/mm, Free Length (L) Approx in/mm, Load Length (L1) in/mm, Solid Height (Sh) Approx in/mm, Load (P) at L1 lb/N, Spring Rate (R) lb/in/N/mm. Rows include standard part numbers like D10100* and expanded part numbers like C0057-006-0120-M*.

STAINLESS STEEL

Table with columns: Catalog #, Load Length (L1) in/mm, Load (P) at L1 lb/N, Spring Rate (R) lb/in/N/mm. Rows include standard part numbers like D20100* and expanded part numbers like C0059-010-0125-S*.

COMPRESSION SPRINGS (OD) 0.047 - 0.063

COMPRESSION SPRINGS (OD) 0.353 - 0.588

COMPRESSION SPRINGS (OD) 0.588 - 0.970

COMPRESSION SPRINGS (OD) 0.970 - 1.410

COMPRESSION SPRINGS (OD) 1.410 - 2.820

316 STAINLESS STEEL COMPRESSION SPRINGS

HEAVY DUTY COMPRESSION SPRINGS

CONICAL COMPRESSION SPRINGS

MULTI-WAVE COMPRESSION SPRINGS

FOR INFORMATION ON ALTERNATIVE FINISHES, SEE PAGE 311



Part Numbers with an *** are squared and not ground. Part Numbers in bold represent the newly expanded ASRaymond compression spring offering.

MUSIC WIRE

Table with columns: Catalog #, Outside Diameter (OD) in/mm, Wire Diameter (d) in/mm, Free Length (L) Approx in/mm, Load Length (L₁) in/mm, Solid Height (Sh) Approx in/mm, Load (P) at L₁ lb/N, Spring Rate (R) lb/in/N/mm. Rows include C0063-010-0625-M* and various D10200* through D10670*.

STAINLESS STEEL

Table with columns: Catalog #, Load Length (L₁) in/mm, Load (P) at L₁ lb/N, Spring Rate (R) lb/in/N/mm. Rows include C0063-010-0625-S* and various D20200* through D20670*.

Vertical labels on the left side: COMPRESSION SPRINGS (OD) 0.047 - 0.333, COMPRESSION SPRINGS (OD) 0.333 - 0.588, COMPRESSION SPRINGS (OD) 0.588 - 0.970, COMPRESSION SPRINGS (OD) 0.970 - 1.410, COMPRESSION SPRINGS (OD) 1.410 - 2.820, 316 STAINLESS STEEL COMPRESSION SPRINGS, HEAVY DUTY COMPRESSION SPRINGS, CONICAL COMPRESSION SPRINGS, MILITARY COMPRESSION SPRINGS.



MUSIC WIRE

Table with columns: Catalog #, Outside Diameter (OD) in/mm, Wire Diameter (d) in/mm, Free Length (L) Approx in/mm, Load Length (L₁) in/mm, Solid Height (Sh) Approx in/mm, Load (P) at L₁ lb/N, Spring Rate (R) lb/in/N/mm. Rows include D10500* through D10940* and C0118-016-0250-M* through C0118-020-0563-M*.

STAINLESS STEEL

Table with columns: Catalog #, Load Length (L₁) in/mm, Load (P) at L₁ lb/N, Spring Rate (R) lb/in/N/mm. Rows include D20500* through D20940* and C0118-016-0250-S* through C0118-020-0563-S*.

Vertical labels on the left side: COMPRESSION SPRINGS (OD) 0.045 - 0.353, COMPRESSION SPRINGS (OD) 0.353 - 0.588, COMPRESSION SPRINGS (OD) 0.588 - 0.970, COMPRESSION SPRINGS (OD) 0.970 - 1.410, COMPRESSION SPRINGS (OD) 1.410 - 2.820, 316 STAINLESS STEEL COMPRESSION SPRINGS, HEAVY DUTY COMPRESSION SPRINGS, CONICAL COMPRESSION SPRINGS, MILITARY COMPRESSION SPRINGS.



TO ORDER: WWW.ASRAYMOND.COM OR SEE PHONE & FAX NUMBERS ON THE BACK COVER

Part Numbers with an "*" are squared and not ground. Part Numbers in bold represent the newly expanded ASRaymond compression spring offering.

MUSIC WIRE

Table with columns: Catalog #, Outside Diameter (OD) in/mm, Wire Diameter (d) in/mm, Free Length (L) Approx in/mm, Load Length (L₁) in/mm, Solid Height (Sh) Approx in/mm, Load (P) at L₁ lb/N, Spring Rate (R) lb/in/N/mm. Rows include various catalog numbers like C0120-022-0750-M and C0125-014-0250-M*.

STAINLESS STEEL

Table with columns: Catalog #, Load Length (L₁) in/mm, Load (P) at L₁ lb/N, Spring Rate (R) lb/in/N/mm. Rows include various catalog numbers like C0120-022-0750-S and C0125-014-0250-S*.

COMPRESSION SPRINGS
(OD) 0.075 - 0.333

COMPRESSION SPRINGS
(OD) 0.333 - 0.588

COMPRESSION SPRINGS
(OD) 0.588 - 0.970

COMPRESSION SPRINGS
(OD) 0.970 - 1.410

COMPRESSION SPRINGS
(OD) 1.410 - 2.820

316 STAINLESS STEEL
COMPRESSION SPRINGS

HEAVY DUTY
COMPRESSION SPRINGS

CONICAL
COMPRESSION SPRINGS

MILITARY
COMPRESSION SPRINGS



MUSIC WIRE

STAINLESS STEEL

Table with columns: Catalog #, Outside Diameter (OD) in/mm, Wire Diameter (d) in/mm, Free Length (L) Approx in/mm, Load Length (L_L) in/mm, Solid Height (Sh) Approx in/mm, Load (P) at L_L lb/N, Spring Rate (R) lb/in/N/mm. Rows include series C0156-023 to C0172-030.

Table with columns: Catalog #, Load Length (L_L) in/mm, Load (P) at L_L lb/N, Spring Rate (R) lb/in/N/mm. Rows include series C0156-023-0500-S to C0172-030-0500-S.

MUSIC WIRE table with columns: Catalog #, Outside Diameter (OD) in/mm, Wire Diameter (d) in/mm, Free Length (L) in/mm, Load Length (L) in/mm, Solid Height (Sh) in/mm, Load (P) at L1 lb/N, Spring Rate (R) lb/in/N/mm.

STAINLESS STEEL table with columns: Catalog #, Load Length (L) in/mm, Load (P) at L1 lb/N, Spring Rate (R) lb/in/N/mm.

COMPRESSION SPRINGS (OD) 0.047 - 0.353

COMPRESSION SPRINGS (OD) 0.353 - 0.588

COMPRESSION SPRINGS (OD) 0.588 - 0.970

COMPRESSION SPRINGS (OD) 0.970 - 1.410

COMPRESSION SPRINGS (OD) 1.410 - 2.820

316 STAINLESS STEEL COMPRESSION SPRINGS

HEAVY DUTY COMPRESSION SPRINGS

CONICAL COMPRESSION SPRINGS

MULTIWAVE COMPRESSION SPRINGS

MUSIC WIRE

Table with columns: Catalog #, Outside Diameter (OD), Wire Diameter (d), Free Length (L) Approx, Load Length (L_L), Solid Height (Sh) Approx, Load (P) at L_L, Spring Rate (R). Rows include various part numbers like C0176-026-0750-M, C0176-026-0813-M, etc.

STAINLESS STEEL

Table with columns: Catalog #, Load Length (L_L), Load (P) at L_L, Spring Rate (R). Rows include various part numbers like C0176-026-0750-S, C0176-026-0813-S, etc.

COMPRESSION SPRINGS (OD) 0.045 - 0.353, COMPRESSION SPRINGS (OD) 0.353 - 0.588, COMPRESSION SPRINGS (OD) 0.588 - 0.970, COMPRESSION SPRINGS (OD) 0.970 - 1.410, COMPRESSION SPRINGS (OD) 1.410 - 2.820, 316 STAINLESS STEEL COMPRESSION SPRINGS, HEAVY DUTY COMPRESSION SPRINGS, CONICAL COMPRESSION SPRINGS, MILITARY COMPRESSION SPRINGS



MUSIC WIRE

Table with columns: Catalog #, Outside Diameter (OD) in/mm, Wire Diameter (d) in/mm, Free Length (L) Approx in/mm, Load Length (L₁) in/mm, Solid Height (Sh) Approx in/mm, Load (P) at L₁ lb/N, Spring Rate (R) lb/in/N/mm. Rows include D11200* through D11240* and C0180-010-0250-M* through C0180-016-0560-M*.

STAINLESS STEEL

Table with columns: Catalog #, Load Length (L₁) in/mm, Load (P) at L₁ lb/N, Spring Rate (R) lb/in/N/mm. Rows include D21200* through D21240* and C0180-010-0250-S* through C0180-016-0560-S*.

Vertical labels on the left side: COMPRESSION SPRINGS (OD) 0.075 - 0.353, COMPRESSION SPRINGS (OD) 0.353 - 0.588, COMPRESSION SPRINGS (OD) 0.588 - 0.970, COMPRESSION SPRINGS (OD) 0.970 - 1.410, COMPRESSION SPRINGS (OD) 1.410 - 2.820, 316 STAINLESS STEEL COMPRESSION SPRINGS, HEAVY DUTY COMPRESSION SPRINGS, CONICAL COMPRESSION SPRINGS, MILITARY COMPRESSION SPRINGS.



MUSIC WIRE

Table with columns: Catalog #, Outside Diameter (OD), Wire Diameter (d), Free Length (L) Approx, Load Length (L), Solid Height (Sh) Approx, Load (P) at L1, Spring Rate (R). Rows include various part numbers like C0180-016-0620-M* and C0180-024-0880-M.

STAINLESS STEEL

Table with columns: Catalog #, Load Length (L), Load (P) at L1, Spring Rate (R). Rows include various part numbers like C0180-016-0620-S* and C0180-024-0880-S.

COMPRESSION SPRINGS (OD) 0.047 - 0.353

COMPRESSION SPRINGS (OD) 0.353 - 0.588

COMPRESSION SPRINGS (OD) 0.588 - 0.970

COMPRESSION SPRINGS (OD) 0.970 - 1.410

COMPRESSION SPRINGS (OD) 1.410 - 2.820

316 STAINLESS STEEL COMPRESSION SPRINGS

HEAVY DUTY COMPRESSION SPRINGS

CONICAL COMPRESSION SPRINGS

MULTI-WAVE COMPRESSION SPRINGS

MUSIC WIRE

STAINLESS STEEL

Table with columns: Catalog #, Outside Diameter (OD) in/mm, Wire Diameter (d) in/mm, Free Length (L) Approx in/mm, Load Length (L_L) in/mm, Solid Height (Sh) Approx in/mm, Load (P) at L_L lb/N, Spring Rate (R) lb/in/N/mm.

Table with columns: Catalog #, Load Length (L_L) in/mm, Load (P) at L_L lb/N, Spring Rate (R) lb/in/N/mm.

COMPRESSION SPRINGS (OD) 0.075 - 0.333
COMPRESSION SPRINGS (OD) 0.333 - 0.588
COMPRESSION SPRINGS (OD) 0.588 - 0.970
COMPRESSION SPRINGS (OD) 0.970 - 1.410
COMPRESSION SPRINGS (OD) 1.410 - 2.820
316 STAINLESS STEEL COMPRESSION SPRINGS
HEAVY DUTY COMPRESSION SPRINGS
CONICAL COMPRESSION SPRINGS
MILITARY COMPRESSION SPRINGS



TO ORDER: WWW.ASRAYMOND.COM OR SEE PHONE & FAX NUMBERS ON THE BACK COVER

Part Numbers with an "*" are squared and not ground. Part Numbers in bold represent the newly expanded ASRaymond compression spring offering.

MUSIC WIRE

STAINLESS STEEL

Table with columns: Catalog #, Outside Diameter (OD) in/mm, Wire Diameter (d) in/mm, Free Length (L) Approx in/mm, Load Length (L_L) in/mm, Solid Height (Sh) Approx in/mm, Load (P) at L_L lb/N, Spring Rate (R) lb/in/N/mm. Rows include various part numbers like C0188-014-0750-M*, C0188-014-0880-M*, etc.

Table with columns: Catalog #, Load Length (L_L) in/mm, Load (P) at L_L lb/N, Spring Rate (R) lb/in/N/mm. Rows include various part numbers like C0188-014-0750-S*, C0188-014-0880-S*, etc.

COMPRESSION SPRINGS (OD) 0.045 - 0.353

COMPRESSION SPRINGS (OD) 0.353 - 0.588

COMPRESSION SPRINGS (OD) 0.588 - 0.970

COMPRESSION SPRINGS (OD) 0.970 - 1.410

COMPRESSION SPRINGS (OD) 1.410 - 2.820

316 STAINLESS STEEL COMPRESSION SPRINGS

HEAVY DUTY COMPRESSION SPRINGS

CONICAL COMPRESSION SPRINGS

MILITARY COMPRESSION SPRINGS



Part Numbers with an "*" are squared and not ground. Part Numbers in bold represent the newly expanded ASRaymond compression spring offering.

MUSIC WIRE

STAINLESS STEEL

Table with columns: Catalog #, Outside Diameter (OD) in/mm, Wire Diameter (d) in/mm, Free Length (L) Approx in/mm, Load Length (L₁) in/mm, Solid Height (Sh) Approx in/mm, Load (P) at L₁ lb/N, Spring Rate (R) lb/in/N/mm. Rows include various part numbers like C0210-022-0810-M, D11050*, C0218-010-0250-M*, etc.

Table with columns: Catalog #, Load Length (L₁) in/mm, Load (P) at L₁ lb/N, Spring Rate (R) lb/in/N/mm. Rows include various part numbers like C0210-022-0810-S, D21050*, C0218-010-0250-S*, etc.

MUSIC WIRE

Table with columns: Catalog #, Outside Diameter (OD) in/mm, Wire Diameter (d) in/mm, Free Length (L) Approx in/mm, Load Length (L₁) in/mm, Solid Height (Sh) Approx in/mm, Load (P) at L₁ lb/N, Spring Rate (R) lb/in/N/mm. Rows include various part numbers like C0234-027-0690-M, C0235-021-0500-M, etc.

STAINLESS STEEL

Table with columns: Catalog #, Load Length (L₁) in/mm, Load (P) at L₁ lb/N, Spring Rate (R) lb/in/N/mm. Rows include various part numbers like C0234-027-0690-S, C0235-021-0500-S, etc.

COMPRESSION SPRINGS (OD) 0.045 - 0.033

COMPRESSION SPRINGS (OD) 0.033 - 0.058

COMPRESSION SPRINGS (OD) 0.088 - 0.970

COMPRESSION SPRINGS (OD) 0.970 - 1.410

COMPRESSION SPRINGS (OD) 1.410 - 2.820

316 STAINLESS STEEL COMPRESSION SPRINGS

HEAVY DUTY COMPRESSION SPRINGS

CONICAL COMPRESSION SPRINGS

MILITARY COMPRESSION SPRINGS

Table with columns: Catalog #, Outside Diameter (OD), Wire Diameter (d), Free Length (L) Approx, Load Length (L), Solid Height (Sh) Approx, Load (P) at L1, Spring Rate (R). Includes sub-headers for MUSIC WIRE and STAINLESS STEEL.

Table with columns: Catalog #, Load Length (L), Load (P) at L1, Spring Rate (R). Includes sub-headers for MUSIC WIRE and STAINLESS STEEL.

MUSIC WIRE

STAINLESS STEEL

Table with columns: Catalog #, Outside Diameter (OD) in/mm, Wire Diameter (d) in/mm, Free Length (L) Approx in/mm, Load Length (L₁) in/mm, Solid Height (Sh) Approx in/mm, Load (P) at L₁ lb/N, Spring Rate (R) lb/in/N/mm. Rows include part numbers like C0235-024-2375-M, C0235-024-2500-M, etc.

Table with columns: Catalog #, Load Length (L₁) in/mm, Load (P) at L₁ lb/N, Spring Rate (R) lb/in/N/mm. Rows include part numbers like C0235-024-2375-S, C0235-024-2500-S, etc.

Vertical text labels on the left side: COMPRESSION SPRINGS (OD) 0.045 - 0.033, COMPRESSION SPRINGS (OD) 0.333 - 0.058, COMPRESSION SPRINGS (OD) 0.088 - 0.970, COMPRESSION SPRINGS (OD) 0.070 - 1.410, COMPRESSION SPRINGS (OD) 1.410 - 2.820, 316 STAINLESS STEEL COMPRESSION SPRINGS, HEAVY DUTY COMPRESSION SPRINGS, CONICAL COMPRESSION SPRINGS, MILITARY COMPRESSION SPRINGS.



MUSIC WIRE

Table with columns: Catalog #, Outside Diameter (OD) in/mm, Wire Diameter (d) in/mm, Free Length (L) Approx in/mm, Load Length (L₁) in/mm, Solid Height (Sh) Approx in/mm, Load (P) at L₁ lb/N, Spring Rate (R) lb/in/N/mm. Rows include part numbers like C0235-032-3000-M, C0235-032-3250-M, etc.

STAINLESS STEEL

Table with columns: Catalog #, Load Length (L₁) in/mm, Load (P) at L₁ lb/N, Spring Rate (R) lb/in/N/mm. Rows include part numbers like C0235-032-3000-S, C0235-032-3250-S, etc.

COMPRESSION SPRINGS (OD) 0.045 - 0.033

COMPRESSION SPRINGS (OD) 0.333 - 0.058

COMPRESSION SPRINGS (OD) 0.088 - 0.970

COMPRESSION SPRINGS (OD) 0.070 - 1.410

COMPRESSION SPRINGS (OD) 1.410 - 2.820

316 STAINLESS STEEL COMPRESSION SPRINGS

HEAVY DUTY COMPRESSION SPRINGS

CONICAL COMPRESSION SPRINGS

MILITARY COMPRESSION SPRINGS



MUSIC WIRE

Table with columns: Catalog #, Outside Diameter (OD) in/mm, Wire Diameter (d) in/mm, Free Length (L) Approx in/mm, Load Length (L1) in/mm, Solid Height (Sh) Approx in/mm, Load (P) at L1 lb/N, Spring Rate (R) lb/in/N/mm. Rows include various part numbers like C0235-045-0500-M through C0240-016-0250-M*.

STAINLESS STEEL

Table with columns: Catalog #, Load Length (L1) in/mm, Load (P) at L1 lb/N, Spring Rate (R) lb/in/N/mm. Rows include various part numbers like C0235-045-0500-S through C0240-016-0250-S*.

COMPRESSION SPRINGS (OD) 0.045 - 0.053

COMPRESSION SPRINGS (OD) 0.055 - 0.058

COMPRESSION SPRINGS (OD) 0.060 - 0.070

COMPRESSION SPRINGS (OD) 0.075 - 0.100

COMPRESSION SPRINGS (OD) 0.110 - 0.140

COMPRESSION SPRINGS (OD) 0.150 - 0.200

COMPRESSION SPRINGS (OD) 0.210 - 0.240

316 STAINLESS STEEL COMPRESSION SPRINGS

HEAVY DUTY COMPRESSION SPRINGS

CONICAL COMPRESSION SPRINGS

MILITARY COMPRESSION SPRINGS



MUSIC WIRE

Table with columns: Catalog #, Outside Diameter (OD) in/mm, Wire Diameter (d) in/mm, Free Length (L) Approx in/mm, Load Length (L₁) in/mm, Solid Height (Sh) Approx in/mm, Load (P) at L₁ lb/N, Spring Rate (R) lb/in/N/mm. Rows include various catalog numbers like C0240-024-0440-M through C0240-035-0380-M.

STAINLESS STEEL

Table with columns: Catalog #, Load Length (L₁) in/mm, Load (P) at L₁ lb/N, Spring Rate (R) lb/in/N/mm. Rows include various catalog numbers like C0240-024-0440-S through C0240-035-0380-S.

COMPRESSION SPRINGS (OD) 0.075 - 0.353

COMPRESSION SPRINGS (OD) 0.353 - 0.588

COMPRESSION SPRINGS (OD) 0.588 - 0.970

COMPRESSION SPRINGS (OD) 0.970 - 1.410

COMPRESSION SPRINGS (OD) 1.410 - 2.820

316 STAINLESS STEEL COMPRESSION SPRINGS

HEAVY DUTY COMPRESSION SPRINGS

CONICAL COMPRESSION SPRINGS

MILITARY COMPRESSION SPRINGS



MUSIC WIRE

Table with columns: Catalog #, Outside Diameter (OD) in/mm, Wire Diameter (d) in/mm, Free Length (L) Approx in/mm, Load Length (L1) in/mm, Solid Height (Sh) Approx in/mm, Load (P) at L1 lb/N, Spring Rate (R) lb/in/N/mm. Rows include various part numbers like C0240-042-0810-M, C0250-020-0250-M*, etc.

STAINLESS STEEL

Table with columns: Catalog #, Load Length (L1) in/mm, Load (P) at L1 lb/N, Spring Rate (R) lb/in/N/mm. Rows include various part numbers like C0240-042-0810-S, C0250-020-0250-S*, etc.

COMPRESSION SPRINGS (OD) 0.045 - 0.053

COMPRESSION SPRINGS (OD) 0.053 - 0.058

COMPRESSION SPRINGS (OD) 0.058 - 0.070

COMPRESSION SPRINGS (OD) 0.070 - 1.410

COMPRESSION SPRINGS (OD) 1.410 - 2.820

316 STAINLESS STEEL COMPRESSION SPRINGS

HEAVY DUTY COMPRESSION SPRINGS

CONICAL COMPRESSION SPRINGS

MILITARY COMPRESSION SPRINGS



MUSIC WIRE

Table with columns: Catalog #, Outside Diameter (OD) in/mm, Wire Diameter (d) in/mm, Free Length (L) Approx in/mm, Load Length (L1) in/mm, Solid Height (Sh) Approx in/mm, Load (P) at L1 lb/N, Spring Rate (R) lb/in/N/mm. Rows include D11930, D11940, and C0294-029-0563-M through C0294-030-4250-M.

STAINLESS STEEL

Table with columns: Catalog #, Load Length (L1) in/mm, Load (P) at L1 lb/N, Spring Rate (R) lb/in/N/mm. Rows include D21930, D21940, and C0294-029-0563-S through C0294-030-4250-S.

COMPRESSION SPRINGS (OD) 0.045 - 0.033

COMPRESSION SPRINGS (OD) 0.333 - 0.058

COMPRESSION SPRINGS (OD) 0.088 - 0.970

COMPRESSION SPRINGS (OD) 0.070 - 1.410

COMPRESSION SPRINGS (OD) 1.410 - 2.820

316 STAINLESS STEEL COMPRESSION SPRINGS

HEAVY DUTY COMPRESSION SPRINGS

CONICAL COMPRESSION SPRINGS

MILITARY COMPRESSION SPRINGS



MUSIC WIRE

Table with columns: Catalog #, Outside Diameter (OD) in/mm, Wire Diameter (d) in/mm, Free Length (L) Approx in/mm, Load Length (L1) in/mm, Solid Height (Sh) Approx in/mm, Load (P) at L1 lb/N, Spring Rate (R) lb/in/N/mm. Rows include various part numbers like C0294-035-3750-M, C0294-035-4000-M, etc.

STAINLESS STEEL

Table with columns: Catalog #, Load Length (L1) in/mm, Load (P) at L1 lb/N, Spring Rate (R) lb/in/N/mm. Rows include various part numbers like C0294-035-3750-S, C0294-035-4000-S, etc.

COMPRESSION SPRINGS (OD) 0.045 - 0.033

COMPRESSION SPRINGS (OD) 0.333 - 0.588

COMPRESSION SPRINGS (OD) 0.588 - 0.970

COMPRESSION SPRINGS (OD) 0.970 - 1.410

COMPRESSION SPRINGS (OD) 1.410 - 2.820

316 STAINLESS STEEL COMPRESSION SPRINGS

HEAVY DUTY COMPRESSION SPRINGS

CONICAL COMPRESSION SPRINGS

MILITARY COMPRESSION SPRINGS



MUSIC WIRE

Table with columns: Catalog #, Outside Diameter (OD) in/mm, Wire Diameter (d) in/mm, Free Length (L) Approx in/mm, Load Length (L1) in/mm, Solid Height (Sh) Approx in/mm, Load (P) at L1 lb/N, Spring Rate (R) lb/in/N/mm. Rows include various part numbers like C0294-045-2750-M, C0294-047-0438-M, etc.

STAINLESS STEEL

Table with columns: Catalog #, Load Length (L1) in/mm, Load (P) at L1 lb/N, Spring Rate (R) lb/in/N/mm. Rows include various part numbers like C0294-045-2750-S, C0294-047-0438-S, etc.

COMPRESSION SPRINGS (OD) 0.045 - 0.033

COMPRESSION SPRINGS (OD) 0.033 - 0.058

COMPRESSION SPRINGS (OD) 0.058 - 0.970

COMPRESSION SPRINGS (OD) 0.970 - 1.410

COMPRESSION SPRINGS (OD) 1.410 - 2.820

316 STAINLESS STEEL COMPRESSION SPRINGS

HEAVY DUTY COMPRESSION SPRINGS

CONICAL COMPRESSION SPRINGS

MILITARY COMPRESSION SPRINGS



MUSIC WIRE table with columns: Catalog #, Outside Diameter (OD) [in, mm], Wire Diameter (d) [in, mm], Free Length (L) [in, mm], Load Length (L1) [in, mm], Solid Height (Sh) [in, mm], Load (P) at L1 [lb, N], Spring Rate (R) [lb/in, N/mm].

STAINLESS STEEL table with columns: Catalog #, Load Length (L1) [in, mm], Load (P) at L1 [lb, N], Spring Rate (R) [lb/in, N/mm].

316 STAINLESS STEEL COMPRESSION SPRINGS
HEAVY DUTY COMPRESSION SPRINGS
MULTI-WAVE COMPRESSION SPRINGS

MUSIC WIRE

Table with columns: Catalog #, Outside Diameter (OD) in/mm, Wire Diameter (d) in/mm, Free Length (L) Approx in/mm, Load Length (L₁) in/mm, Solid Height (Sh) Approx in/mm, Load (P) at L₁ lb/N, Spring Rate (R) lb/in/N/mm. Rows include various part numbers like C0294-055-2375-M, C0296-030-0340-M, etc.

STAINLESS STEEL

Table with columns: Catalog #, Load Length (L₁) in/mm, Load (P) at L₁ lb/N, Spring Rate (R) lb/in/N/mm. Rows include various part numbers like C0294-055-2375-S, C0296-030-0340-S, etc.

COMPRESSION SPRINGS (OD) 0.045 - 0.033

COMPRESSION SPRINGS (OD) 0.033 - 0.058

COMPRESSION SPRINGS (OD) 0.058 - 0.070

COMPRESSION SPRINGS (OD) 0.070 - 0.1410

COMPRESSION SPRINGS (OD) 0.1410 - 2.820

316 STAINLESS STEEL COMPRESSION SPRINGS

HEAVY DUTY COMPRESSION SPRINGS

CONICAL COMPRESSION SPRINGS

MILITARY COMPRESSION SPRINGS



MUSIC WIRE

Table with columns: Catalog #, Outside Diameter (OD) in/mm, Wire Diameter (d) in/mm, Free Length (L) Approx in/mm, Load Length (L1) in/mm, Solid Height (Sh) Approx in/mm, Load (P) at L1 lb/N, Spring Rate (R) lb/in/N/mm. Rows include various part numbers like C0312-016-0375-M* through C0312-028-1310-M.

STAINLESS STEEL

Table with columns: Catalog #, Load Length (L1) in/mm, Load (P) at L1 lb/N, Spring Rate (R) lb/in/N/mm. Rows include various part numbers like C0312-016-0375-S* through C0312-028-1310-S.

Vertical labels on the left side of the page: COMPRESSION SPRINGS (OD) 0.045 - 0.033, COMPRESSION SPRINGS (OD) 0.333 - 0.058, COMPRESSION SPRINGS (OD) 0.088 - 0.970, COMPRESSION SPRINGS (OD) 0.070 - 1.410, COMPRESSION SPRINGS (OD) 1.410 - 2.820, 316 STAINLESS STEEL COMPRESSION SPRINGS, HEAVY DUTY COMPRESSION SPRINGS, CONICAL COMPRESSION SPRINGS, MILITARY COMPRESSION SPRINGS.



MUSIC WIRE

Table with columns: Catalog #, Outside Diameter (OD) in/mm, Wire Diameter (d) in/mm, Free Length (L) in/mm, Load Length (L) in/mm, Solid Height (Sh) in/mm, Load (P) at L1 lb/N, Spring Rate (R) lb/in/N/mm. Rows include various part numbers like C0353-032-4000-M, C0353-032-4250-M, etc.

STAINLESS STEEL

Table with columns: Catalog #, Load Length (L) in/mm, Load (P) at L1 lb/N, Spring Rate (R) lb/in/N/mm. Rows include various part numbers like C0353-032-4000-S, C0353-032-4250-S, etc.

COMPRESSION SPRINGS (OD) 0.047 - 0.353

COMPRESSION SPRINGS (OD) 0.353 - 0.658

COMPRESSION SPRINGS (OD) 0.658 - 0.970

COMPRESSION SPRINGS (OD) 0.970 - 1.410

COMPRESSION SPRINGS (OD) 1.410 - 2.820

316 STAINLESS STEEL COMPRESSION SPRINGS

HEAVY DUTY COMPRESSION SPRINGS

CONICAL COMPRESSION SPRINGS

MILITARY COMPRESSION SPRINGS



MUSIC WIRE

Table with columns: Catalog #, Outside Diameter (OD) in/mm, Wire Diameter (d) in/mm, Free Length (L) Approx in/mm, Load Length (L1) in/mm, Solid Height (Sh) Approx in/mm, Load (P) at L1 lb/N, Spring Rate (R) lb/in/N/mm. Rows include various part numbers like C0353-042-1250-M, C0353-042-1375-M, etc.

STAINLESS STEEL

Table with columns: Catalog #, Load Length (L1) in/mm, Load (P) at L1 lb/N, Spring Rate (R) lb/in/N/mm. Rows include various part numbers like C0353-042-1250-S, C0353-042-1375-S, etc.

COMPRESSION SPRINGS (OD) 0.047 - 0.353

COMPRESSION SPRINGS (OD) 0.353 - 0.588

COMPRESSION SPRINGS (OD) 0.588 - 0.970

COMPRESSION SPRINGS (OD) 0.970 - 1.410

COMPRESSION SPRINGS (OD) 1.410 - 2.820

316 STAINLESS STEEL COMPRESSION SPRINGS

HEAVY DUTY COMPRESSION SPRINGS

CONICAL COMPRESSION SPRINGS

MILITARY COMPRESSION SPRINGS



MUSIC WIRE table with columns: Catalog #, Outside Diameter (OD) in/mm, Wire Diameter (d) in/mm, Free Length (L) in/mm, Load Length (L) in/mm, Solid Height (Sh) in/mm, Load (P) at L1 lb/N, and Spring Rate (R) lb/in/N/mm. Contains 250 rows of data.

STAINLESS STEEL table with columns: Catalog #, Load Length (L) in/mm, Load (P) at L1 lb/N, and Spring Rate (R) lb/in/N/mm. Contains 250 rows of data.

Vertical text labels on the right margin: COMPRESSION SPRINGS (OD) 0.047 - 0.353, COMPRESSION SPRINGS (OD) 0.353 - 0.588, COMPRESSION SPRINGS (OD) 0.588 - 0.970, COMPRESSION SPRINGS (OD) 0.970 - 1.410, COMPRESSION SPRINGS (OD) 1.410 - 2.820, 316 STAINLESS STEEL COMPRESSION SPRINGS, HEAVY DUTY COMPRESSION SPRINGS, CONICAL COMPRESSION SPRINGS, MULTIWAVE COMPRESSION SPRINGS.

FOR INFORMATION ON ALTERNATIVE FINISHES, SEE PAGE 311



Part Numbers with an "*" are squared and not ground. Part Numbers in bold represent the newly expanded ASRaymond compression spring offering.

MUSIC WIRE

Table with columns: Catalog #, Outside Diameter (OD) in/mm, Wire Diameter (d) in/mm, Free Length (L) in/mm, Load Length (L) in/mm, Solid Height (Sh) in/mm, Load (P) at L1 lb/N, Spring Rate (R) lb/in/N/mm. Rows include part numbers like C0353-049-4500-M, C0353-049-4750-M, etc.

STAINLESS STEEL

Table with columns: Catalog #, Load Length (L) in/mm, Load (P) at L1 lb/N, Spring Rate (R) lb/in/N/mm. Rows include part numbers like C0353-049-4500-S, C0353-049-4750-S, etc.

COMPRESSION SPRINGS (OD) 0.047 - 0.353

COMPRESSION SPRINGS (OD) 0.353 - 0.558

COMPRESSION SPRINGS (OD) 0.588 - 0.970

COMPRESSION SPRINGS (OD) 0.970 - 1.410

COMPRESSION SPRINGS (OD) 1.410 - 2.820

316 STAINLESS STEEL COMPRESSION SPRINGS

HEAVY DUTY COMPRESSION SPRINGS

CONICAL COMPRESSION SPRINGS

MILITARY COMPRESSION SPRINGS



MUSIC WIRE

Table with columns: Catalog #, Outside Diameter (OD) in/mm, Wire Diameter (d) in/mm, Free Length (L) in/mm, Load Length (L) in/mm, Solid Height (Sh) in/mm, Load (P) at L1 in/lb, Spring Rate (R) in/lb/in and N/mm. Rows include various music wire part numbers like C0353-063-2000-M, C0353-063-2125-M, etc.

STAINLESS STEEL

Table with columns: Catalog #, Load Length (L) in/mm, Load (P) at L1 in/lb, Spring Rate (R) in/lb/in and N/mm. Rows include various stainless steel part numbers like C0353-063-2000-S, C0353-063-2125-S, etc.

COMPRESSION SPRINGS (OD) 0.047 - 0.353

COMPRESSION SPRINGS (OD) 0.353 - 0.658

COMPRESSION SPRINGS (OD) 0.658 - 0.970

COMPRESSION SPRINGS (OD) 0.970 - 1.410

COMPRESSION SPRINGS (OD) 1.410 - 2.820

316 STAINLESS STEEL COMPRESSION SPRINGS

HEAVY DUTY COMPRESSION SPRINGS

CONICAL COMPRESSION SPRINGS

MILITARY COMPRESSION SPRINGS



MUSIC WIRE

STAINLESS STEEL

Table with columns: Catalog #, Outside Diameter (OD) in/mm, Wire Diameter (d) in/mm, Free Length (L) Approx in/mm, Load Length (L1) in/mm, Solid Height (Sh) Approx in/mm, Load (P) at L1 lb/N, Spring Rate (R) lb/in/N/mm. Rows include various part numbers like C0360-038-0620-M, C0360-040-0440-M, etc.

Table with columns: Catalog #, Load Length (L1) in/mm, Load (P) at L1 lb/N, Spring Rate (R) lb/in/N/mm. Rows include various part numbers like C0360-038-0620-S, C0360-040-0440-S, etc.

Vertical labels on the left side of the page: COMPRESSION SPRINGS (OD) 0.047 - 0.363, COMPRESSION SPRINGS (OD) 0.363 - 0.588, COMPRESSION SPRINGS (OD) 0.588 - 0.970, COMPRESSION SPRINGS (OD) 0.970 - 1.410, COMPRESSION SPRINGS (OD) 1.410 - 2.820, 316 STAINLESS STEEL COMPRESSION SPRINGS, HEAVY DUTY COMPRESSION SPRINGS, CONICAL COMPRESSION SPRINGS, MILITARY COMPRESSION SPRINGS.



MUSIC WIRE

Table with columns: Catalog #, Outside Diameter (OD) in/mm, Wire Diameter (d) in/mm, Free Length (L) Approx in/mm, Load Length (L1) in/mm, Solid Height (Sh) Approx in/mm, Load (P) at L1 lb/N, Spring Rate (R) lb/in/N/mm. Rows include C0360-051-1750-M to C0375-026-0875-M.

STAINLESS STEEL

Table with columns: Catalog #, Load Length (L1) in/mm, Load (P) at L1 lb/N, Spring Rate (R) lb/in/N/mm. Rows include C0360-051-1750-S to C0375-026-0875-S.

COMPRESSION SPRINGS (OD) 0.047 - 0.353

COMPRESSION SPRINGS (OD) 0.353 - 0.558

COMPRESSION SPRINGS (OD) 0.558 - 0.970

COMPRESSION SPRINGS (OD) 0.970 - 1.410

COMPRESSION SPRINGS (OD) 1.410 - 2.820

316 STAINLESS STEEL COMPRESSION SPRINGS

HEAVY DUTY COMPRESSION SPRINGS

CONICAL COMPRESSION SPRINGS

MULTI-WAVE COMPRESSION SPRINGS



MUSIC WIRE

STAINLESS STEEL

Table with columns for Catalog #, Outside Diameter (OD), Wire Diameter (d), Free Length (L) Approx, Load Length (L), Solid Height (Sh) Approx, Load (P) at L1, and Spring Rate (R). It contains data for Music Wire and Stainless Steel across various catalog numbers and specifications.

MUSIC WIRE table with columns: Catalog #, Outside Diameter (OD) in/mm, Wire Diameter (d) in/mm, Free Length (L) in/mm, Load Length (L) in/mm, Solid Height (Sh) in/mm, Load (P) at L1 lb/N, Spring Rate (R) lb/in/N/mm.

STAINLESS STEEL table with columns: Catalog #, Load Length (L) in/mm, Load (P) at L1 lb/N, Spring Rate (R) lb/in/N/mm.

COMPRESSION SPRINGS (OD) 0.047 - 0.353

COMPRESSION SPRINGS (OD) 0.353 - 0.588

COMPRESSION SPRINGS (OD) 0.588 - 0.970

COMPRESSION SPRINGS (OD) 0.970 - 1.410

COMPRESSION SPRINGS (OD) 1.410 - 2.820

316 STAINLESS STEEL COMPRESSION SPRINGS

HEAVY DUTY COMPRESSION SPRINGS

CONICAL COMPRESSION SPRINGS

MULTI-WAVE COMPRESSION SPRINGS

MUSIC WIRE

STAINLESS STEEL

Table with columns for Catalog #, Outside Diameter (OD), Wire Diameter (d), Free Length (L) Approx, Load Length (L_L), Solid Height (Sh) Approx, Load (P) at L_L, and Spring Rate (R). The table is divided into MUSIC WIRE and STAINLESS STEEL sections. The MUSIC WIRE section lists various models (C0411-040-5250-M to C0411-045-2500-M) with their respective dimensions and load capacities. The STAINLESS STEEL section lists various models (C0411-040-5250-S to C0411-045-2500-S) with their respective dimensions and load capacities. The table includes sub-headers for in/mm and lb/N for diameter, length, and load, and lb/in and N/mm for spring rate.

COMPRESSION SPRINGS (OD) 0.047 - 0.033

COMPRESSION SPRINGS (OD) 0.033 - 0.058

COMPRESSION SPRINGS (OD) 0.088 - 0.070

COMPRESSION SPRINGS (OD) 0.070 - 1.410

COMPRESSION SPRINGS (OD) 1.410 - 2.820

316 STAINLESS STEEL COMPRESSION SPRINGS

HEAVY DUTY COMPRESSION SPRINGS

CONICAL COMPRESSION SPRINGS

MILITARY COMPRESSION SPRINGS

MUSIC WIRE

Table with columns: Catalog #, Outside Diameter (OD) in/mm, Wire Diameter (d) in/mm, Free Length (L) Approx in/mm, Load Length (L) in/mm, Solid Height (Sh) Approx in/mm, Load (P) at L1 lb/N, Spring Rate (R) lb/in/N/mm. Rows include various part numbers like C0411-049-1125-M, C0411-049-1250-M, etc.

STAINLESS STEEL

Table with columns: Catalog #, Load Length (L) in/mm, Load (P) at L1 lb/N, Spring Rate (R) lb/in/N/mm. Rows include various part numbers like C0411-049-1125-S, C0411-049-1250-S, etc.

COMPRESSION SPRINGS (OD) 0.047 - 0.353

COMPRESSION SPRINGS (OD) 0.353 - 0.558

COMPRESSION SPRINGS (OD) 0.558 - 0.970

COMPRESSION SPRINGS (OD) 0.970 - 1.410

COMPRESSION SPRINGS (OD) 1.410 - 2.820

316 STAINLESS STEEL COMPRESSION SPRINGS

HEAVY DUTY COMPRESSION SPRINGS

CONICAL COMPRESSION SPRINGS

MILITARY COMPRESSION SPRINGS



MUSIC WIRE

Table with columns: Catalog #, Outside Diameter (OD) in/mm, Wire Diameter (d) in/mm, Free Length (L) in/mm, Load Length (L) in/mm, Solid Height (Sh) in/mm, Load (P) at L1 lb/N, Spring Rate (R) lb/in/N/mm. Rows include part numbers like C0411-059-2500-M, C0411-059-2625-M, etc.

STAINLESS STEEL

Table with columns: Catalog #, Load Length (L) in/mm, Load (P) at L1 lb/N, Spring Rate (R) lb/in/N/mm. Rows include part numbers like C0411-059-2500-S, C0411-059-2625-S, etc.

COMPRESSION SPRINGS (OD) 0.047 - 0.353

COMPRESSION SPRINGS (OD) 0.353 - 0.658

COMPRESSION SPRINGS (OD) 0.658 - 0.970

COMPRESSION SPRINGS (OD) 0.970 - 1.410

COMPRESSION SPRINGS (OD) 1.410 - 2.820

316 STAINLESS STEEL COMPRESSION SPRINGS

HEAVY DUTY COMPRESSION SPRINGS

CONICAL COMPRESSION SPRINGS

MILITARY COMPRESSION SPRINGS



MUSIC WIRE

Table with columns: Catalog #, Outside Diameter (OD) in/mm, Wire Diameter (d) in/mm, Free Length (L) Approx in/mm, Load Length (L1) in/mm, Solid Height (Sh) Approx in/mm, Load (P) at L1 lb/N, Spring Rate (R) lb/in/N/mm. Rows include various part numbers like C0411-072-5250-M, C0411-072-5500-M, etc.

STAINLESS STEEL

Table with columns: Catalog #, Load Length (L1) in/mm, Load (P) at L1 lb/N, Spring Rate (R) lb/in/N/mm. Rows include various part numbers like C0411-072-5250-S, C0411-072-5500-S, etc.

COMPRESSION SPRINGS (OD) 0.047 - 0.353

COMPRESSION SPRINGS (OD) 0.353 - 0.558

COMPRESSION SPRINGS (OD) 0.558 - 0.970

COMPRESSION SPRINGS (OD) 0.970 - 1.410

COMPRESSION SPRINGS (OD) 1.410 - 2.820

316 STAINLESS STEEL COMPRESSION SPRINGS

HEAVY DUTY COMPRESSION SPRINGS

CONICAL COMPRESSION SPRINGS

MILITARY COMPRESSION SPRINGS



MUSIC WIRE

Table with 15 columns: Catalog #, Outside Diameter (OD) in/mm, Wire Diameter (d) in/mm, Free Length (L) in/mm, Load Length (L1) in/mm, Solid Height (Sh) in/mm, Load (P) at L1 lb/N, and Spring Rate (R) lb/in/N/mm. Rows include C0420-051-1750-M to D12860.

STAINLESS STEEL

Table with 6 columns: Catalog #, Load Length (L1) in/mm, Load (P) at L1 lb/N, and Spring Rate (R) lb/in/N/mm. Rows include C0420-051-1750-S to D22860.

Vertical text labels on the right side of the page: COMPRESSION SPRINGS (OD) 0.047 - 0.353, COMPRESSION SPRINGS (OD) 0.353 - 0.588, COMPRESSION SPRINGS (OD) 0.588 - 0.970, COMPRESSION SPRINGS (OD) 0.970 - 1.410, COMPRESSION SPRINGS (OD) 1.410 - 2.820, 316 STAINLESS STEEL COMPRESSION SPRINGS, HEAVY DUTY COMPRESSION SPRINGS, CONICAL COMPRESSION SPRINGS, MULTIWAVE COMPRESSION SPRINGS.

FOR INFORMATION ON ALTERNATIVE FINISHES, SEE PAGE 311



Part Numbers with an "*" are squared and not ground. Part Numbers in bold represent the newly expanded ASRaymond compression spring offering.

MUSIC WIRE

Table with columns: Catalog #, Outside Diameter (OD) in/mm, Wire Diameter (d) in/mm, Free Length (L) Approx in/mm, Load Length (L₁) in/mm, Solid Height (Sh) Approx in/mm, Load (P) at L₁ lb/N, Spring Rate (R) lb/in/N/mm. Rows include D12870, D12880, C0437-032-0500-M, C0437-032-0625-M, C0437-032-0750-M, C0437-032-0875-M, C0437-032-1000-M, C0437-032-1250-M, C0437-032-1500-M, C0437-032-1750-M, C0437-032-2000-M, C0437-032-2125-M, C0437-041-0500-M, C0437-041-0625-M, C0437-041-0750-M, C0437-041-0875-M, C0437-041-1000-M, C0437-041-1250-M, C0437-041-1500-M, C0437-041-1750-M, C0437-041-2000-M, C0437-041-2125-M, C0437-054-0500-M, C0437-054-0625-M, C0437-054-0750-M, C0437-054-0875-M, C0437-054-1000-M, C0437-054-1250-M, C0437-054-1500-M, C0437-054-1750-M, C0437-054-2000-M, C0437-054-2250-M, C0437-054-2500-M, D12200, D12210, D12220, D12230, D12240, C0455-039-0500-M, C0455-039-0620-M, C0455-039-0750-M, C0455-039-0880-M, C0455-039-1000-M, C0455-039-1250-M, C0455-039-1500-M, C0455-039-1750-M, C0455-046-0500-M, C0455-046-0620-M, C0455-046-0750-M, C0455-046-0880-M, C0455-046-1000-M, C0455-046-1250-M, C0455-046-1500-M, C0455-046-1750-M, D12400, D12410, D12420, D12430, D12440, C0470-038-0938-M, C0470-038-1000-M, C0470-038-1125-M, C0470-038-1250-M, C0470-038-1375-M.

STAINLESS STEEL

Table with columns: Catalog #, Load Length (L₁) in/mm, Load (P) at L₁ lb/N, Spring Rate (R) lb/in/N/mm. Rows include D22870, D22880, C0437-032-0500-S, C0437-032-0625-S, C0437-032-0750-S, C0437-032-0875-S, C0437-032-1000-S, C0437-032-1250-S, C0437-032-1500-S, C0437-032-1750-S, C0437-032-2000-S, C0437-032-2125-S, C0437-041-0500-S, C0437-041-0625-S, C0437-041-0750-S, C0437-041-0875-S, C0437-041-1000-S, C0437-041-1250-S, C0437-041-1500-S, C0437-041-1750-S, C0437-041-2000-S, C0437-041-2125-S, C0437-054-0500-S, C0437-054-0625-S, C0437-054-0750-S, C0437-054-0875-S, C0437-054-1000-S, C0437-054-1250-S, C0437-054-1500-S, C0437-054-1750-S, C0437-054-2000-S, C0437-054-2250-S, C0437-054-2500-S, D22200, D22210, D22220, D22230, D22240, C0455-039-0500-S, C0455-039-0620-S, C0455-039-0750-S, C0455-039-0880-S, C0455-039-1000-S, C0455-039-1250-S, C0455-039-1500-S, C0455-039-1750-S, C0455-046-0500-S, C0455-046-0620-S, C0455-046-0750-S, C0455-046-0880-S, C0455-046-1000-S, C0455-046-1250-S, C0455-046-1500-S, C0455-046-1750-S, D22400, D22410, D22420, D22430, D22440, C0470-038-0938-S, C0470-038-1000-S, C0470-038-1125-S, C0470-038-1250-S, C0470-038-1375-S.



MUSIC WIRE table with columns for Catalog #, Outside Diameter (OD) in mm, Wire Diameter (d) in mm, Free Length (L) in mm, Load Length (L1) in mm, Solid Height (Sh) in mm, Load (P) at L1 in lb and N, and Spring Rate (R) in lb/in and N/mm.

STAINLESS STEEL table with columns for Catalog #, Load Length (L1) in mm, Load (P) at L1 in lb and N, and Spring Rate (R) in lb/in and N/mm.

COMPRESSION SPRINGS (OD) 0.047 - 0.353

COMPRESSION SPRINGS (OD) 0.353 - 0.588

COMPRESSION SPRINGS (OD) 0.588 - 0.970

COMPRESSION SPRINGS (OD) 0.970 - 1.410

COMPRESSION SPRINGS (OD) 1.410 - 2.820

316 STAINLESS STEEL COMPRESSION SPRINGS

HEAVY DUTY COMPRESSION SPRINGS

CONICAL COMPRESSION SPRINGS

MULTI-WAVE COMPRESSION SPRINGS

MUSIC WIRE

STAINLESS STEEL

COMPRESSION SPRINGS (OD) 0.470 - 0.533
COMPRESSION SPRINGS (OD) 0.533 - 0.588
COMPRESSION SPRINGS (OD) 0.588 - 0.970
COMPRESSION SPRINGS (OD) 0.970 - 1.410
COMPRESSION SPRINGS (OD) 1.410 - 2.820
316 STAINLESS STEEL COMPRESSION SPRINGS
HEAVY DUTY COMPRESSION SPRINGS
CONICAL COMPRESSION SPRINGS
MULTIWAVE COMPRESSION SPRINGS

Table with columns: Catalog #, Outside Diameter (OD) in/mm, Wire Diameter (d) in/mm, Free Length (L) Approx in/mm, Load Length (L1) in/mm, Solid Height (Sh) Approx in/mm, Load (P) at L1 lb/N, Spring Rate (R) lb/in/N/mm. Rows include series like C0470-040-6500-M through C0470-045-3000-M.

Table with columns: Catalog #, Load Length (L1) in/mm, Load (P) at L1 lb/N, Spring Rate (R) lb/in/N/mm. Rows include series like C0470-040-6500-S through C0470-045-3000-S.



Part Numbers with an "*" are squared and not ground. Part Numbers in bold represent the newly expanded ASRaymond compression spring offering.

MUSIC WIRE table with columns: Catalog #, Outside Diameter (OD) (in, mm), Wire Diameter (d) (in, mm), Free Length (L) (in, mm), Load Length (L₁) (in, mm), Solid Height (Sh) Approx (in, mm), Load (P) at L₁ (lb, N), Spring Rate (R) (lb/in, N/mm).

STAINLESS STEEL table with columns: Catalog #, Load Length (L₁) (in, mm), Load (P) at L₁ (lb, N), Spring Rate (R) (lb/in, N/mm).

COMPRESSION SPRINGS (OD) 0.047 - 0.353

COMPRESSION SPRINGS (OD) 0.353 - 0.588

COMPRESSION SPRINGS (OD) 0.588 - 0.970

COMPRESSION SPRINGS (OD) 0.970 - 1.410

COMPRESSION SPRINGS (OD) 1.410 - 2.820

316 STAINLESS STEEL COMPRESSION SPRINGS

HEAVY DUTY COMPRESSION SPRINGS

CONICAL COMPRESSION SPRINGS

MULTI-WAVE COMPRESSION SPRINGS

MUSIC WIRE

Table with columns: Catalog #, Outside Diameter (OD) in/mm, Wire Diameter (d) in/mm, Free Length (L) Approx in/mm, Load Length (L₁) in/mm, Solid Height (Sh) Approx in/mm, Load (P) at L₁ lb/N, Spring Rate (R) lb/in/N/mm. Rows include various part numbers like C0470-059-2875-M, C0470-059-3000-M, etc.

STAINLESS STEEL

Table with columns: Catalog #, Load Length (L₁) in/mm, Load (P) at L₁ lb/N, Spring Rate (R) lb/in/N/mm. Rows include various part numbers like C0470-059-2875-S, C0470-059-3000-S, etc.

COMPRESSION SPRINGS (OD) 0.470 - 0.433

COMPRESSION SPRINGS (OD) 0.433 - 0.458

COMPRESSION SPRINGS (OD) 0.458 - 0.970

COMPRESSION SPRINGS (OD) 0.970 - 1.410

COMPRESSION SPRINGS (OD) 1.410 - 2.820

316 STAINLESS STEEL COMPRESSION SPRINGS

HEAVY DUTY COMPRESSION SPRINGS

CONICAL COMPRESSION SPRINGS

MILITARY COMPRESSION SPRINGS



MUSIC WIRE

Table with columns: Catalog #, Outside Diameter (OD) in/mm, Wire Diameter (d) in/mm, Free Length (L) Approx in/mm, Load Length (L1) in/mm, Solid Height (Sh) Approx in/mm, Load (P) at L1 lb/N, Spring Rate (R) lb/in/N/mm. Rows include part numbers like CO470-072-4750-M to CO470-092-2125-M.

STAINLESS STEEL

Table with columns: Catalog #, Load Length (L1) in/mm, Load (P) at L1 lb/N, Spring Rate (R) lb/in/N/mm. Rows include part numbers like CO470-072-4750-S to CO470-092-2125-S.

COMPRESSION SPRINGS (OD) 0.470 - 0.470

COMPRESSION SPRINGS (OD) 0.470 - 0.470

COMPRESSION SPRINGS (OD) 0.470 - 0.470

COMPRESSION SPRINGS (OD) 0.470 - 0.470

COMPRESSION SPRINGS (OD) 0.470 - 0.470

COMPRESSION SPRINGS (OD) 0.470 - 0.470

COMPRESSION SPRINGS (OD) 0.470 - 0.470

COMPRESSION SPRINGS (OD) 0.470 - 0.470

COMPRESSION SPRINGS (OD) 0.470 - 0.470

COMPRESSION SPRINGS (OD) 0.470 - 0.470



MUSIC WIRE

Table with columns: Catalog #, Outside Diameter (OD) in/mm, Wire Diameter (d) in/mm, Free Length (L) Approx in/mm, Load Length (L1) in/mm, Solid Height (Sh) Approx in/mm, Load (P) at L1 lb/N, Spring Rate (R) lb/in/N/mm. Rows include various part numbers like C0480-042-3000-M, C0480-045-0500-M, etc.

STAINLESS STEEL

Table with columns: Catalog #, Load Length (L1) in/mm, Load (P) at L1 lb/N, Spring Rate (R) lb/in/N/mm. Rows include various part numbers like C0480-042-3000-S, C0480-045-0500-S, etc.

COMPRESSION SPRINGS (OD) 0.047 - 0.353

COMPRESSION SPRINGS (OD) 0.353 - 0.558

COMPRESSION SPRINGS (OD) 0.558 - 0.970

COMPRESSION SPRINGS (OD) 0.970 - 1.410

COMPRESSION SPRINGS (OD) 1.410 - 2.820

316 STAINLESS STEEL COMPRESSION SPRINGS

HEAVY DUTY COMPRESSION SPRINGS

CONICAL COMPRESSION SPRINGS

MILITARY COMPRESSION SPRINGS



MUSIC WIRE

Table with columns: Catalog #, Outside Diameter (OD) in/mm, Wire Diameter (d) in/mm, Free Length (L) Approx in/mm, Load Length (L_i) in/mm, Solid Height (Sh) Approx in/mm, Load (P) at L_i lb/N, Spring Rate (R) lb/in/N/mm. Rows include part numbers like C0500-041-1000-M to C0529-045-5500-M.

STAINLESS STEEL

Table with columns: Catalog #, Load Length (L_i) in/mm, Load (P) at L_i lb/N, Spring Rate (R) lb/in/N/mm. Rows include part numbers like C0500-041-1000-S to C0529-045-5500-S.

Vertical text labels on the left side: COMPRESSION SPRINGS (OD) 0.047 - 0.353, COMPRESSION SPRINGS (OD) 0.353 - 0.658, COMPRESSION SPRINGS (OD) 0.658 - 0.970, COMPRESSION SPRINGS (OD) 0.970 - 1.410, COMPRESSION SPRINGS (OD) 1.410 - 2.820, 316 STAINLESS STEEL COMPRESSION SPRINGS, HEAVY DUTY COMPRESSION SPRINGS, CONICAL COMPRESSION SPRINGS, MILITARY COMPRESSION SPRINGS.



TO ORDER: WWW.ASRAYMOND.COM OR SEE PHONE & FAX NUMBERS ON THE BACK COVER

Part Numbers with an "*" are squared and not ground. Part Numbers in bold represent the newly expanded ASRaymond compression spring offering.

MUSIC WIRE

Table with columns: Catalog #, Outside Diameter (OD) in/mm, Wire Diameter (d) in/mm, Free Length (L) in/mm, Load Length (L1) in/mm, Solid Height (Sh) in/mm, Load (P) at L1 in/lb and N, Spring Rate (R) in/lb/in and N/mm. Rows include part numbers from C0529-049-2750-M to C0529-055-0875-M.

STAINLESS STEEL

Table with columns: Catalog #, Load Length (L1) in/mm, Load (P) at L1 in/lb and N, Spring Rate (R) in/lb/in and N/mm. Rows include part numbers from C0529-049-2750-S to C0529-055-0875-S.

Vertical labels on the left side of the page: COMPRESSION SPRINGS (OD) 0.047 - 0.353, COMPRESSION SPRINGS (OD) 0.353 - 0.658, COMPRESSION SPRINGS (OD) 0.658 - 0.970, COMPRESSION SPRINGS (OD) 0.970 - 1.410, COMPRESSION SPRINGS (OD) 1.410 - 2.820, 316 STAINLESS STEEL COMPRESSION SPRINGS, HEAVY DUTY COMPRESSION SPRINGS, CONICAL COMPRESSION SPRINGS, MILITARY COMPRESSION SPRINGS.



MUSIC WIRE

Table with columns: Catalog #, Outside Diameter (OD) in/mm, Wire Diameter (d) in/mm, Free Length (L) Approx in/mm, Load Length (L₁) in/mm, Solid Height (Sh) Approx in/mm, Load (P) at L₁ lb/N, Spring Rate (R) lb/in/N/mm. Rows include part numbers like C0529-059-5000-M through C0529-068-1875-M.

STAINLESS STEEL

Table with columns: Catalog #, Load Length (L₁) in/mm, Load (P) at L₁ lb/N, Spring Rate (R) lb/in/N/mm. Rows include part numbers like C0529-059-5000-S through C0529-068-1875-S.

Vertical labels on the left side of the page: COMPRESSION SPRINGS (OD) 0.047 - 0.353, COMPRESSION SPRINGS (OD) 0.353 - 0.558, COMPRESSION SPRINGS (OD) 0.558 - 0.970, COMPRESSION SPRINGS (OD) 0.970 - 1.410, COMPRESSION SPRINGS (OD) 1.410 - 2.820, 316 STAINLESS STEEL COMPRESSION SPRINGS, HEAVY DUTY COMPRESSION SPRINGS, CONICAL COMPRESSION SPRINGS, MILITARY COMPRESSION SPRINGS.



MUSIC WIRE

Table with columns: Catalog #, Outside Diameter (OD) in/mm, Wire Diameter (d) in/mm, Free Length (L) Approx in/mm, Load Length (L1) in/mm, Solid Height (Sh) Approx in/mm, Load (P) at L1 lb/N, Spring Rate (R) lb/in/N/mm. Rows include various part numbers like C0529-072-7000-M, C0529-085-0813-M, etc.

STAINLESS STEEL

Table with columns: Catalog #, Load Length (L1) in/mm, Load (P) at L1 lb/N, Spring Rate (R) lb/in/N/mm. Rows include various part numbers like C0529-072-7000-S, C0529-085-0813-S, etc.

COMPRESSION SPRINGS (OD) 0.047 - 0.353

COMPRESSION SPRINGS (OD) 0.353 - 0.558

COMPRESSION SPRINGS (OD) 0.558 - 0.970

COMPRESSION SPRINGS (OD) 0.970 - 1.410

COMPRESSION SPRINGS (OD) 1.410 - 2.820

316 STAINLESS STEEL COMPRESSION SPRINGS

HEAVY DUTY COMPRESSION SPRINGS

CONICAL COMPRESSION SPRINGS

MILITARY COMPRESSION SPRINGS



MUSIC WIRE table with columns: Catalog #, Outside Diameter (OD), Wire Diameter (d), Free Length (L), Load Length (L), Solid Height (Sh) Approx, Load (P) at L1, Spring Rate (R). Rows range from C0529-092-3250-M to C0529-105-1250-M.

STAINLESS STEEL table with columns: Catalog #, Load Length (L), Load (P) at L1, Spring Rate (R). Rows range from C0529-092-3250-S to C0529-105-1250-S.

FOR INFORMATION ON ALTERNATIVE FINISHES, SEE PAGE 311



Part Numbers with an "*" are squared and not ground. Part Numbers in bold represent the newly expanded ASRaymond compression spring offering.

Vertical text on the right side of the page: COMPRESSION SPRINGS (OD) 0.047 - 0.353, COMPRESSION SPRINGS (OD) 0.353 - 0.588, COMPRESSION SPRINGS (OD) 0.588 - 0.970, COMPRESSION SPRINGS (OD) 0.970 - 1.410, COMPRESSION SPRINGS (OD) 1.410 - 2.820, 316 STAINLESS STEEL COMPRESSION SPRINGS, HEAVY DUTY COMPRESSION SPRINGS, CONICAL COMPRESSION SPRINGS, MULTIWAVE COMPRESSION SPRINGS.

MUSIC WIRE

Table with columns: Catalog #, Outside Diameter (OD) in/mm, Wire Diameter (d) in/mm, Free Length (L) Approx in/mm, Load Length (L_i) in/mm, Solid Height (Sh) Approx in/mm, Load (P) at L_i lb/N, Spring Rate (R) lb/in/N/mm. Rows include series C0529-105-1375-M to C0529-105-8000-M and D12050 to D12090.

STAINLESS STEEL

Table with columns: Catalog #, Load Length (L_i) in/mm, Load (P) at L_i lb/N, Spring Rate (R) lb/in/N/mm. Rows include series C0529-105-1375-S to C0529-105-8000-S and D22050 to D22090.

COMPRESSION SPRINGS (OD) 0.047 - 0.353

COMPRESSION SPRINGS (OD) 0.353 - 0.658

COMPRESSION SPRINGS (OD) 0.658 - 0.970

COMPRESSION SPRINGS (OD) 0.970 - 1.410

COMPRESSION SPRINGS (OD) 1.410 - 2.820

316 STAINLESS STEEL COMPRESSION SPRINGS

HEAVY DUTY COMPRESSION SPRINGS

CONICAL COMPRESSION SPRINGS

MILITARY COMPRESSION SPRINGS



MUSIC WIRE

Table with columns: Catalog #, Outside Diameter (OD) in/mm, Wire Diameter (d) in/mm, Free Length (L) Approx in/mm, Load Length (L₁) in/mm, Solid Height (Sh) Approx in/mm, Load (P) at L₁ lb/N, Spring Rate (R) lb/in/N/mm. Rows include D12490, C0563-054-0625-M, C0563-054-0750-M, C0563-054-0875-M, C0563-054-1000-M, C0563-054-1250-M, C0563-054-1500-M, C0563-054-1750-M, C0563-054-2000-M, C0563-054-2250-M, C0563-054-2500-M, C0563-054-2750-M, C0563-054-3000-M, C0563-054-3250-M, C0563-054-3500-M, C0563-092-0750-M, C0563-092-0875-M, C0563-092-1000-M, C0563-092-1250-M, C0563-092-1500-M, C0563-092-1750-M, C0563-092-2000-M, C0563-092-2250-M, C0563-092-2500-M, C0563-092-2750-M, C0563-092-3000-M, C0563-092-3250-M, C0563-092-3500-M, C0563-092-3750-M, D12650, D12660, D12670, D12680, D12690, C0588-049-1125-M, C0588-049-1250-M, C0588-049-1375-M, C0588-049-1500-M, C0588-049-1625-M, C0588-049-1750-M, C0588-049-1875-M, C0588-049-2000-M, C0588-049-2125-M, C0588-049-2250-M, C0588-049-2375-M, C0588-049-2500-M, C0588-049-2625-M, C0588-049-2750-M, C0588-049-2875-M, C0588-049-3000-M, C0588-049-3250-M, C0588-049-3500-M, C0588-049-3750-M, C0588-049-4000-M, C0588-049-4250-M, C0588-049-4500-M, C0588-049-4750-M, C0588-049-5000-M, C0588-049-5250-M, C0588-049-5500-M, C0588-049-5750-M, C0588-049-6000-M, C0588-049-6250-M.

STAINLESS STEEL

Table with columns: Catalog #, Load Length (L₁) in/mm, Load (P) at L₁ lb/N, Spring Rate (R) lb/in/N/mm. Rows include D22490, C0563-054-0625-S, C0563-054-0750-S, C0563-054-0875-S, C0563-054-1000-S, C0563-054-1250-S, C0563-054-1500-S, C0563-054-1750-S, C0563-054-2000-S, C0563-054-2250-S, C0563-054-2500-S, C0563-054-2750-S, C0563-054-3000-S, C0563-054-3250-S, C0563-054-3500-S, C0563-054-3750-S, C0563-092-0750-S, C0563-092-0875-S, C0563-092-1000-S, C0563-092-1250-S, C0563-092-1500-S, C0563-092-1750-S, C0563-092-2000-S, C0563-092-2250-S, C0563-092-2500-S, C0563-092-2750-S, C0563-092-3000-S, C0563-092-3250-S, C0563-092-3500-S, C0563-092-3750-S, D22650, D22660, D22670, D22680, D22690, C0588-049-1125-S, C0588-049-1250-S, C0588-049-1375-S, C0588-049-1500-S, C0588-049-1625-S, C0588-049-1750-S, C0588-049-1875-S, C0588-049-2000-S, C0588-049-2125-S, C0588-049-2250-S, C0588-049-2375-S, C0588-049-2500-S, C0588-049-2625-S, C0588-049-2750-S, C0588-049-2875-S, C0588-049-3000-S, C0588-049-3250-S, C0588-049-3500-S, C0588-049-3750-S, C0588-049-4000-S, C0588-049-4250-S, C0588-049-4500-S, C0588-049-4750-S, C0588-049-5000-S, C0588-049-5250-S, C0588-049-5500-S, C0588-049-5750-S, C0588-049-6000-S, C0588-049-6250-S.



MUSIC WIRE

Table with columns: Catalog #, Outside Diameter (OD) in/mm, Wire Diameter (d) in/mm, Free Length (L) Approx in/mm, Load Length (L) in/mm, Solid Height (Sh) Approx in/mm, Load (P) at L1 lb/N, Spring Rate (R) lb/in/N/mm. Rows include part numbers like C0588-068-6750-M, C0588-068-7000-M, etc.

STAINLESS STEEL

Table with columns: Catalog #, Load Length (L) in/mm, Load (P) at L1 lb/N, Spring Rate (R) lb/in/N/mm. Rows include part numbers like C0588-068-6750-S, C0588-068-7000-S, etc.

COMPRESSION SPRINGS (OD) 0.047 - 0.353

COMPRESSION SPRINGS (OD) 0.353 - 0.588

COMPRESSION SPRINGS (OD) 0.588 - 0.970

COMPRESSION SPRINGS (OD) 0.970 - 1.410

COMPRESSION SPRINGS (OD) 1.410 - 2.820

316 STAINLESS STEEL COMPRESSION SPRINGS

HEAVY DUTY COMPRESSION SPRINGS

CONICAL COMPRESSION SPRINGS

MILITARY COMPRESSION SPRINGS



MUSIC WIRE

Table with columns: Catalog #, Outside Diameter (OD) in/mm, Wire Diameter (d) in/mm, Free Length (L) Approx in/mm, Load Length (L₁) in/mm, Solid Height (Sh) Approx in/mm, Load (P) at L₁ lb/N, Spring Rate (R) lb/in/N/mm. Rows include part numbers like C0588-098-0938-M to C0588-105-4500-M.

STAINLESS STEEL

Table with columns: Catalog #, Load Length (L₁) in/mm, Load (P) at L₁ lb/N, Spring Rate (R) lb/in/N/mm. Rows include part numbers like C0588-098-0938-S to C0588-105-4500-S.

COMPRESSION SPRINGS (OD) 0.047 - 0.353

COMPRESSION SPRINGS (OD) 0.353 - 0.588

COMPRESSION SPRINGS (OD) 0.588 - 0.970

COMPRESSION SPRINGS (OD) 0.970 - 1.410

COMPRESSION SPRINGS (OD) 1.410 - 2.820

316 STAINLESS STEEL COMPRESSION SPRINGS

HEAVY DUTY COMPRESSION SPRINGS

CONICAL COMPRESSION SPRINGS

MILITARY COMPRESSION SPRINGS



(OD) 0.600 - 0.600

MUSIC WIRE

Table with columns: Catalog #, Outside Diameter (OD) in/mm, Wire Diameter (d) in/mm, Free Length (L) Approx in/mm, Load Length (L1) in/mm, Solid Height (Sh) Approx in/mm, Load (P) at L1 lb/N, Spring Rate (R) lb/in/N/mm. Rows include various part numbers like C0600-045-0625-M, C0600-045-0750-M, etc.

STAINLESS STEEL

Table with columns: Catalog #, Load Length (L1) in/mm, Load (P) at L1 lb/N, Spring Rate (R) lb/in/N/mm. Rows include various part numbers like C0600-045-0625-S, C0600-045-0750-S, etc.

Vertical labels on the left side: COMPRESSION SPRINGS (OD) 0.047 - 0.353, COMPRESSION SPRINGS (OD) 0.353 - 0.588, COMPRESSION SPRINGS (OD) 0.588 - 0.970, COMPRESSION SPRINGS (OD) 0.970 - 1.410, COMPRESSION SPRINGS (OD) 1.410 - 2.820, 316 STAINLESS STEEL COMPRESSION SPRINGS, HEAVY DUTY COMPRESSION SPRINGS, CONICAL COMPRESSION SPRINGS, MILITARY COMPRESSION SPRINGS



MUSIC WIRE table with columns: Catalog #, Outside Diameter (OD), Wire Diameter (d), Free Length (L), Load Length (L_i), Solid Height (Sh) Approx, Load (P) at L_i, Spring Rate (R)

STAINLESS STEEL table with columns: Catalog #, Load Length (L_i), Load (P) at L_i, Spring Rate (R)

COMPRESSION SPRINGS (OD) 0.047 - 0.353

COMPRESSION SPRINGS (OD) 0.353 - 0.588

COMPRESSION SPRINGS (OD) 0.588 - 0.970

COMPRESSION SPRINGS (OD) 0.970 - 1.410

COMPRESSION SPRINGS (OD) 1.410 - 2.820

316 STAINLESS STEEL COMPRESSION SPRINGS

HEAVY DUTY COMPRESSION SPRINGS

CONICAL COMPRESSION SPRINGS

MULTI-WAVE COMPRESSION SPRINGS

MUSIC WIRE

STAINLESS STEEL

Main data table with columns for Catalog #, Outside Diameter (OD), Wire Diameter (d), Free Length (L) Approx, Load Length (L), Solid Height (Sh) Approx, Load (P) at L1, Spring Rate (R), and corresponding values for Stainless Steel.

COMPRESSION SPRINGS (OD) 0.047 - 0.353

COMPRESSION SPRINGS (OD) 0.353 - 0.588

COMPRESSION SPRINGS (OD) 0.588 - 0.970

COMPRESSION SPRINGS (OD) 0.970 - 1.410

COMPRESSION SPRINGS (OD) 1.410 - 2.820

316 STAINLESS STEEL COMPRESSION SPRINGS

HEAVY DUTY COMPRESSION SPRINGS

CONICAL COMPRESSION SPRINGS

MILITARY COMPRESSION SPRINGS



MUSIC WIRE table with columns: Catalog #, Outside Diameter (OD), Wire Diameter (d), Free Length (L), Load Length (L_L), Solid Height (Sh) Approx, Load (P) at L_L, Spring Rate (R). Rows include part numbers like C0646-051-7500-M and C0646-059-4750-M.

STAINLESS STEEL table with columns: Catalog #, Load Length (L_L), Load (P) at L_L, Spring Rate (R). Rows include part numbers like C0646-051-7500-S and C0646-059-4750-S.

Vertical text labels on the right side of the page: COMPRESSION SPRINGS (OD) 0.047 - 0.353, COMPRESSION SPRINGS (OD) 0.353 - 0.588, COMPRESSION SPRINGS (OD) 0.588 - 0.970, COMPRESSION SPRINGS (OD) 0.970 - 1.410, COMPRESSION SPRINGS (OD) 1.410 - 2.820, 316 STAINLESS STEEL COMPRESSION SPRINGS, HEAVY DUTY COMPRESSION SPRINGS, CONICAL COMPRESSION SPRINGS, MULTIWAVE COMPRESSION SPRINGS.

FOR INFORMATION ON ALTERNATIVE FINISHES, SEE PAGE 311



Part Numbers with an "*" are squared and not ground. Part Numbers in bold represent the newly expanded ASRaymond compression spring offering.

MUSIC WIRE

Table with columns: Catalog #, Outside Diameter (OD) in/mm, Wire Diameter (d) in/mm, Free Length (L) Approx in/mm, Load Length (L) in/mm, Solid Height (Sh) Approx in/mm, Load (P) at L1 lb/N, Spring Rate (R) lb/in/N/mm. Rows include various catalog numbers like C0646-059-5000-M, C0646-059-5250-M, etc.

STAINLESS STEEL

Table with columns: Catalog #, Load Length (L) in/mm, Load (P) at L1 lb/N, Spring Rate (R) lb/in/N/mm. Rows include various catalog numbers like C0646-059-5000-S, C0646-059-5250-S, etc.

Vertical text labels on the left side: COMPRESSION SPRINGS (OD) 0.047 - 0.353, COMPRESSION SPRINGS (OD) 0.353 - 0.588, COMPRESSION SPRINGS (OD) 0.588 - 0.970, COMPRESSION SPRINGS (OD) 0.970 - 1.410, COMPRESSION SPRINGS (OD) 1.410 - 2.820, 316 STAINLESS STEEL COMPRESSION SPRINGS, HEAVY DUTY COMPRESSION SPRINGS, CONICAL COMPRESSION SPRINGS, MILITARY COMPRESSION SPRINGS



MUSIC WIRE

Table with columns: Catalog #, Outside Diameter (OD) in/mm, Wire Diameter (d) in/mm, Free Length (L) Approx in/mm, Load Length (L₁) in/mm, Solid Height (Sh) Approx in/mm, Load (P) at L₁ lb/N, Spring Rate (R) lb/in/N/mm. Rows include various catalog numbers like C0646-085-1125-M, C0646-085-1250-M, etc.

STAINLESS STEEL

Table with columns: Catalog #, Load Length (L₁) in/mm, Load (P) at L₁ lb/N, Spring Rate (R) lb/in/N/mm. Rows include various catalog numbers like C0646-085-1125-S, C0646-085-1250-S, etc.

COMPRESSION SPRINGS (OD) 0.047 - 0.353, COMPRESSION SPRINGS (OD) 0.353 - 0.588, COMPRESSION SPRINGS (OD) 0.588 - 0.970, COMPRESSION SPRINGS (OD) 0.970 - 1.410, COMPRESSION SPRINGS (OD) 1.410 - 2.820, 316 STAINLESS STEEL COMPRESSION SPRINGS, HEAVY DUTY COMPRESSION SPRINGS, CONICAL COMPRESSION SPRINGS, MILITARY COMPRESSION SPRINGS



MUSIC WIRE

Table with columns: Catalog #, Outside Diameter (OD) in/mm, Wire Diameter (d) in/mm, Free Length (L) Approx in/mm, Load Length (L) in/mm, Solid Height (Sh) Approx in/mm, Load (P) at L1 lb/N, Spring Rate (R) lb/in/N/mm. Rows include various part numbers like C0646-105-2500-M, C0646-105-2625-M, etc.

STAINLESS STEEL

Table with columns: Catalog #, Load Length (L) in/mm, Load (P) at L1 lb/N, Spring Rate (R) lb/in/N/mm. Rows include various part numbers like C0646-105-2500-S, C0646-105-2625-S, etc.

Vertical text labels on the left side of the page: COMPRESSION SPRINGS (OD) 0.047 - 0.353, COMPRESSION SPRINGS (OD) 0.353 - 0.588, COMPRESSION SPRINGS (OD) 0.588 - 0.970, COMPRESSION SPRINGS (OD) 0.970 - 1.410, COMPRESSION SPRINGS (OD) 1.410 - 2.820, 316 STAINLESS STEEL COMPRESSION SPRINGS, HEAVY DUTY COMPRESSION SPRINGS, CONICAL COMPRESSION SPRINGS, MILITARY COMPRESSION SPRINGS



MUSIC WIRE

Table with columns: Catalog #, Outside Diameter (OD) in/mm, Wire Diameter (d) in/mm, Free Length (L) in/mm, Load Length (L1) in/mm, Solid Height (Sh) Approx in/mm, Load (P) at L1 lb/N, Spring Rate (R) lb/in/N/mm. Rows range from C0646-112-9500-M to C0660-063-0625-M.

STAINLESS STEEL

Table with columns: Catalog #, Load Length (L1) in/mm, Load (P) at L1 lb/N, Spring Rate (R) lb/in/N/mm. Rows range from C0646-112-9500-S to C0660-063-0625-S.

COMPRESSION SPRINGS (OD) 0.047 - 0.353
COMPRESSION SPRINGS (OD) 0.353 - 0.588
COMPRESSION SPRINGS (OD) 0.588 - 0.970
COMPRESSION SPRINGS (OD) 0.970 - 1.410
COMPRESSION SPRINGS (OD) 1.410 - 2.820
316 STAINLESS STEEL COMPRESSION SPRINGS
HEAVY DUTY COMPRESSION SPRINGS
CONICAL COMPRESSION SPRINGS
MULTI-WAVE COMPRESSION SPRINGS

FOR INFORMATION ON ALTERNATIVE FINISHES, SEE PAGE 311



Part Numbers with an "*" are squared and not ground. Part Numbers in bold represent the newly expanded ASRaymond compression spring offering.

MUSIC WIRE

Table with columns: Catalog #, Outside Diameter (OD) in/mm, Wire Diameter (d) in/mm, Free Length (L) Approx in/mm, Load Length (L) in/mm, Solid Height (Sh) Approx in/mm, Load (P) at L1 lb/N, Spring Rate (R) lb/in/N/mm. Rows include series C0660-063, C0660-067, C0660-072, C0688-105, D12500, C0705-055.

STAINLESS STEEL

Table with columns: Catalog #, Load Length (L) in/mm, Load (P) at L1 lb/N, Spring Rate (R) lb/in/N/mm. Rows include series C0660-063-S, C0660-067-S, C0660-072-S, C0688-105-S, D22500, C0705-055-S.

COMPRESSION SPRINGS (OD) 0.047 - 0.353

COMPRESSION SPRINGS (OD) 0.353 - 0.588

COMPRESSION SPRINGS (OD) 0.588 - 0.970

COMPRESSION SPRINGS (OD) 0.970 - 1.410

COMPRESSION SPRINGS (OD) 1.410 - 2.820

316 STAINLESS STEEL COMPRESSION SPRINGS

HEAVY DUTY COMPRESSION SPRINGS

CONICAL COMPRESSION SPRINGS

MILITARY COMPRESSION SPRINGS



MUSIC WIRE

Table with columns: Catalog #, Outside Diameter (OD) in/mm, Wire Diameter (d) in/mm, Free Length (L) Approx in/mm, Load Length (L₁) in/mm, Solid Height (Sh) Approx in/mm, Load (P) at L₁ lb/N, Spring Rate (R) lb/in/N/mm. Rows include part numbers like C0705-063-1250-M through C0705-068-6250-M.

STAINLESS STEEL

Table with columns: Catalog #, Load Length (L₁) in/mm, Load (P) at L₁ lb/N, Spring Rate (R) lb/in/N/mm. Rows include part numbers like C0705-063-1250-S through C0705-068-6250-S.



MUSIC WIRE

Table with columns: Catalog #, Outside Diameter (OD) in/mm, Wire Diameter (d) in/mm, Free Length (L) Approx in/mm, Load Length (L₁) in/mm, Solid Height (Sh) Approx in/mm, Load (P) at L₁ lb/N, Spring Rate (R) lb/in/N/mm. Rows include various part numbers like C0705-085-4000-M, C0705-092-1125-M, etc.

STAINLESS STEEL

Table with columns: Catalog #, Load Length (L₁) in/mm, Load (P) at L₁ lb/N, Spring Rate (R) lb/in/N/mm. Rows include various part numbers like C0705-085-4000-S, C0705-092-1125-S, etc.

COMPRESSION SPRINGS (OD) 0.047 - 0.353

COMPRESSION SPRINGS (OD) 0.353 - 0.588

COMPRESSION SPRINGS (OD) 0.588 - 0.970

COMPRESSION SPRINGS (OD) 0.970 - 1.410

COMPRESSION SPRINGS (OD) 1.410 - 2.820

316 STAINLESS STEEL COMPRESSION SPRINGS

HEAVY DUTY COMPRESSION SPRINGS

CONICAL COMPRESSION SPRINGS

MILITARY COMPRESSION SPRINGS



MUSIC WIRE

Table with columns: Catalog #, Outside Diameter (OD) in/mm, Wire Diameter (d) in/mm, Free Length (L) Approx in/mm, Load Length (L) in/mm, Solid Height (Sh) Approx in/mm, Load (P) at L1 lb/N, Spring Rate (R) lb/in/N/mm. Rows include various part numbers like C0705-105-8500-M, C0705-112-1000-M, etc.

STAINLESS STEEL

Table with columns: Catalog #, Load Length (L) in/mm, Load (P) at L1 lb/N, Spring Rate (R) lb/in/N/mm. Rows include various part numbers like C0705-105-8500-S, C0705-112-1000-S, etc.

Vertical text labels on the left side of the page: COMPRESSION SPRINGS (OD) 0.047 - 0.353, COMPRESSION SPRINGS (OD) 0.353 - 0.588, COMPRESSION SPRINGS (OD) 0.588 - 0.970, COMPRESSION SPRINGS (OD) 0.970 - 1.410, COMPRESSION SPRINGS (OD) 1.410 - 2.820, 316 STAINLESS STEEL COMPRESSION SPRINGS, HEAVY DUTY COMPRESSION SPRINGS, CONICAL COMPRESSION SPRINGS, MILITARY COMPRESSION SPRINGS



Table with columns: Catalog #, Outside Diameter (OD), Wire Diameter (d), Free Length (L), Load Length (L_L), Solid Height (Sh) Approx, Load (P) at L_L, Spring Rate (R). Includes sub-headers: MUSIC WIRE, CONICAL COMPRESSION SPRINGS, HEAVY DUTY COMPRESSION SPRINGS, MULTIWAVE COMPRESSION SPRINGS.

Table with columns: Catalog #, Load Length (L_L), Load (P) at L_L, Spring Rate (R). Includes sub-headers: STAINLESS STEEL, CONICAL COMPRESSION SPRINGS, HEAVY DUTY COMPRESSION SPRINGS, MULTIWAVE COMPRESSION SPRINGS.

COMPRESSION SPRINGS (OD) 0.047 - 0.353

COMPRESSION SPRINGS (OD) 0.353 - 0.588

COMPRESSION SPRINGS (OD) 0.588 - 0.970

COMPRESSION SPRINGS (OD) 0.970 - 1.410

COMPRESSION SPRINGS (OD) 1.410 - 2.820

316 STAINLESS STEEL COMPRESSION SPRINGS

HEAVY DUTY COMPRESSION SPRINGS

CONICAL COMPRESSION SPRINGS

MULTIWAVE COMPRESSION SPRINGS



MUSIC WIRE table with columns: Catalog #, Outside Diameter (OD), Wire Diameter (d), Free Length (L_F) Approx, Load Length (L_L), Solid Height (Sh) Approx, Load (P) at L_L, Spring Rate (R). Rows include part numbers like C0720-081-1500-M, C0720-081-1750-M, etc.

STAINLESS STEEL table with columns: Catalog #, Load Length (L_L), Load (P) at L_L, Spring Rate (R). Rows include part numbers like C0720-081-1500-S, C0720-081-1750-S, etc.

COMPRESSION SPRINGS (OD) 0.047 - 0.353, COMPRESSION SPRINGS (OD) 0.353 - 0.588, COMPRESSION SPRINGS (OD) 0.588 - 0.970, COMPRESSION SPRINGS (OD) 0.970 - 1.410, COMPRESSION SPRINGS (OD) 1.410 - 2.820, 316 STAINLESS STEEL COMPRESSION SPRINGS, HEAVY DUTY COMPRESSION SPRINGS, CONICAL COMPRESSION SPRINGS, MULTITWAVE COMPRESSION SPRINGS

FOR INFORMATION ON ALTERNATIVE FINISHES, SEE PAGE 311



Part Numbers with an "*" are squared and not ground. Part Numbers in bold represent the newly expanded ASRaymond compression spring offering.

MUSIC WIRE

Table with columns: Catalog #, Outside Diameter (OD) in/mm, Wire Diameter (d) in/mm, Free Length (L) Approx in/mm, Load Length (L₁) in/mm, Solid Height (Sh) Approx in/mm, Load (P) at L₁ lb/N, Spring Rate (R) lb/in/N/mm. Rows include D13020, D13030, D13280, D13290, D13300, D13310, D13320, and C0764-059-1500-M through C0764-063-5250-M.

STAINLESS STEEL

Table with columns: Catalog #, Load Length (L₁) in/mm, Load (P) at L₁ lb/N, Spring Rate (R) lb/in/N/mm. Rows include D23020, D23030, D23280, D23290, D23300, D23310, D23320, and C0764-059-1500-S through C0764-063-5250-S.

COMPRESSION SPRINGS (OD) 0.047 - 0.353

COMPRESSION SPRINGS (OD) 0.353 - 0.588

COMPRESSION SPRINGS (OD) 0.588 - 0.970

COMPRESSION SPRINGS (OD) 0.970 - 1.410

COMPRESSION SPRINGS (OD) 1.410 - 2.820

316 STAINLESS STEEL COMPRESSION SPRINGS

HEAVY DUTY COMPRESSION SPRINGS

CONICAL COMPRESSION SPRINGS

MILITARY COMPRESSION SPRINGS



MUSIC WIRE

Table with columns: Catalog #, Outside Diameter (OD) in/mm, Wire Diameter (d) in/mm, Free Length (L) Approx in/mm, Load Length (L) in/mm, Solid Height (Sh) Approx in/mm, Load (P) at L1 lb/N, Spring Rate (R) lb/in/N/mm. Rows include part numbers like C0764-072-3750-M, C0764-072-4000-M, etc.

STAINLESS STEEL

Table with columns: Catalog #, Load Length (L) in/mm, Load (P) at L1 lb/N, Spring Rate (R) lb/in/N/mm. Rows include part numbers like C0764-072-3750-S, C0764-072-4000-S, etc.

COMPRESSION SPRINGS (OD) 0.047 - 0.353

COMPRESSION SPRINGS (OD) 0.353 - 0.588

COMPRESSION SPRINGS (OD) 0.588 - 0.970

COMPRESSION SPRINGS (OD) 0.970 - 1.410

COMPRESSION SPRINGS (OD) 1.410 - 2.820

316 STAINLESS STEEL COMPRESSION SPRINGS

HEAVY DUTY COMPRESSION SPRINGS

CONICAL COMPRESSION SPRINGS

MILITARY COMPRESSION SPRINGS



MUSIC WIRE table with columns: Catalog #, Outside Diameter (OD), Wire Diameter (d), Free Length (L) Approx, Load Length (L_L), Solid Height (Sh) Approx, Load (P) at L_L, Spring Rate (R). Rows include part numbers like C0764-092-2250-M to C0764-098-9000-M.

STAINLESS STEEL table with columns: Catalog #, Load Length (L_L), Load (P) at L_L, Spring Rate (R). Rows include part numbers like C0764-092-2250-S to C0764-098-9000-S.

COMPRESSION SPRINGS (OD) 0.047 - 0.353

COMPRESSION SPRINGS (OD) 0.353 - 0.598

COMPRESSION SPRINGS (OD) 0.598 - 0.970

COMPRESSION SPRINGS (OD) 0.970 - 1.410

COMPRESSION SPRINGS (OD) 1.410 - 2.820

316 STAINLESS STEEL COMPRESSION SPRINGS

HEAVY DUTY COMPRESSION SPRINGS

CONICAL COMPRESSION SPRINGS

MULTIWAVE COMPRESSION SPRINGS

MUSIC WIRE

Table with columns: Catalog #, Outside Diameter (OD) in/mm, Wire Diameter (d) in/mm, Free Length (L) Approx in/mm, Load Length (L1) in/mm, Solid Height (Sh) Approx in/mm, Load (P) at L1 lb/N, Spring Rate (R) lb/in/N/mm. Rows include part numbers like C0764-098-9500-M, C0764-105-1125-M, etc.

STAINLESS STEEL

Table with columns: Catalog #, Load Length (L1) in/mm, Load (P) at L1 lb/N, Spring Rate (R) lb/in/N/mm. Rows include part numbers like C0764-098-9500-S, C0764-105-1125-S, etc.

COMPRESSION SPRINGS (OD) 0.047 - 0.353

COMPRESSION SPRINGS (OD) 0.353 - 0.588

COMPRESSION SPRINGS (OD) 0.588 - 0.970

COMPRESSION SPRINGS (OD) 0.970 - 1.410

COMPRESSION SPRINGS (OD) 1.410 - 2.820

316 STAINLESS STEEL COMPRESSION SPRINGS

HEAVY DUTY COMPRESSION SPRINGS

CONICAL COMPRESSION SPRINGS

MILITARY COMPRESSION SPRINGS



MUSIC WIRE

STAINLESS STEEL

Table with columns: Catalog #, Outside Diameter (OD) in/mm, Wire Diameter (d) in/mm, Free Length (L) Approx in/mm, Load Length (L1) in/mm, Solid Height (Sh) Approx in/mm, Load (P) at L1 lb/N, Spring Rate (R) lb/in/N/mm. Rows include various music wire part numbers like C0764-135-3250-M and D13230.

Table with columns: Catalog #, Load Length (L1) in/mm, Load (P) at L1 lb/N, Spring Rate (R) lb/in/N/mm. Rows include various stainless steel part numbers like C0764-135-3250-S and D23230.

Vertical text on the left side of the page: COMPRESSION SPRINGS (OD) 0.047 - 0.353, COMPRESSION SPRINGS (OD) 0.353 - 0.588, COMPRESSION SPRINGS (OD) 0.588 - 0.970, COMPRESSION SPRINGS (OD) 0.970 - 1.410, COMPRESSION SPRINGS (OD) 1.410 - 2.820, 316 STAINLESS STEEL COMPRESSION SPRINGS, HEAVY DUTY COMPRESSION SPRINGS, CONICAL COMPRESSION SPRINGS, MILITARY COMPRESSION SPRINGS



Table with columns for MUSIC WIRE and STAINLESS STEEL, including Catalog #, Outside Diameter (OD), Wire Diameter (d), Free Length (L), Load Length (L), Solid Height (Sh) Approx, Load (P) at L1, Spring Rate (R), and various sub-columns for inches, millimeters, and pounds.

FOR INFORMATION ON ALTERNATIVE FINISHES, SEE PAGE 311



Part Numbers with an "*" are squared and not ground. Part Numbers in bold represent the newly expanded ASRaymond compression spring offering.

Vertical text labels on the right side of the page: COMPRESSION SPRINGS (OD) 0.047 - 0.353, COMPRESSION SPRINGS (OD) 0.353 - 0.588, COMPRESSION SPRINGS (OD) 0.588 - 0.970, COMPRESSION SPRINGS (OD) 0.970 - 1.410, COMPRESSION SPRINGS (OD) 1.410 - 2.820, 316 STAINLESS STEEL COMPRESSION SPRINGS, HEAVY DUTY COMPRESSION SPRINGS, CONICAL COMPRESSION SPRINGS, MULTIWAVE COMPRESSION SPRINGS

MUSIC WIRE

Table with columns: Catalog #, Outside Diameter (OD) in/mm, Wire Diameter (d) in/mm, Free Length (L) Approx in/mm, Load Length (L₁) in/mm, Solid Height (Sh) Approx in/mm, Load (P) at L₁ lb/N, Spring Rate (R) lb/in/N/mm. Rows include various part numbers like C0823-072-6000-M, C0823-085-1375-M, etc.

STAINLESS STEEL

Table with columns: Catalog #, Load Length (L₁) in/mm, Load (P) at L₁ lb/N, Spring Rate (R) lb/in/N/mm. Rows include various part numbers like C0823-072-6000-S, C0823-085-1375-S, etc.

COMPRESSION SPRINGS (OD) 0.047 - 0.353

COMPRESSION SPRINGS (OD) 0.353 - 0.588

COMPRESSION SPRINGS (OD) 0.588 - 0.970

COMPRESSION SPRINGS (OD) 0.970 - 1.410

COMPRESSION SPRINGS (OD) 1.410 - 2.820

316 STAINLESS STEEL COMPRESSION SPRINGS

HEAVY DUTY COMPRESSION SPRINGS

CONICAL COMPRESSION SPRINGS

MILITARY COMPRESSION SPRINGS



MUSIC WIRE

STAINLESS STEEL

Table with columns: Catalog #, Outside Diameter (OD) in/mm, Wire Diameter (d) in/mm, Free Length (L) Approx in/mm, Load Length (L₁) in/mm, Solid Height (Sh) Approx in/mm, Load (P) at L₁ lb/N, Spring Rate (R) lb/in/N/mm. Rows include various catalog numbers like C0823-105-2625-M, C0823-112-1250-M, etc.

Table with columns: Catalog #, Load Length (L₁) in/mm, Load (P) at L₁ lb/N, Spring Rate (R) lb/in/N/mm. Rows include various catalog numbers like C0823-105-2625-S, C0823-112-1250-S, etc.

Vertical labels on the left side: COMPRESSION SPRINGS (OD) 0.047 - 0.353, COMPRESSION SPRINGS (OD) 0.353 - 0.588, COMPRESSION SPRINGS (OD) 0.588 - 0.970, COMPRESSION SPRINGS (OD) 0.970 - 1.410, COMPRESSION SPRINGS (OD) 1.410 - 2.820, 316 STAINLESS STEEL COMPRESSION SPRINGS, HEAVY DUTY COMPRESSION SPRINGS, CONICAL COMPRESSION SPRINGS, MILITARY COMPRESSION SPRINGS



MUSIC WIRE

Table with columns: Catalog #, Outside Diameter (OD) in/mm, Wire Diameter (d) in/mm, Free Length (L) in/mm, Load Length (L1) in/mm, Solid Height (Sh) in/mm, Load (P) at L1 lb/N, Spring Rate (R) lb/in/N/mm. Rows include catalog numbers from C0823-135-7500-M to C0823-162-5000-M.

STAINLESS STEEL

Table with columns: Catalog #, Load Length (L) in/mm, Load (P) at L1 lb/N, Spring Rate (R) lb/in/N/mm. Rows include catalog numbers from C0823-135-7500-S to C0823-162-5000-S.

COMPRESSION SPRINGS (OD) 0.047 - 0.353

COMPRESSION SPRINGS (OD) 0.353 - 0.588

COMPRESSION SPRINGS (OD) 0.588 - 0.970

COMPRESSION SPRINGS (OD) 0.970 - 1.410

COMPRESSION SPRINGS (OD) 1.410 - 2.820

316 STAINLESS STEEL COMPRESSION SPRINGS

HEAVY DUTY COMPRESSION SPRINGS

CONICAL COMPRESSION SPRINGS

MILITARY COMPRESSION SPRINGS



MUSIC WIRE table with columns: Catalog #, Outside Diameter (OD), Wire Diameter (d), Free Length (L) Approx, Load Length (L1), Solid Height (Sh) Approx, Load (P) at L1, Spring Rate (R). Rows include various part numbers like C0823-162-5250-M to C0845-080-0750-M.

STAINLESS STEEL table with columns: Catalog #, Load Length (L1), Load (P) at L1, Spring Rate (R). Rows include various part numbers like C0823-162-5250-S to C0845-080-0750-S.

Vertical text labels on the right margin: COMPRESSION SPRINGS (OD) 0.047 - 0.353, COMPRESSION SPRINGS (OD) 0.353 - 0.588, COMPRESSION SPRINGS (OD) 0.588 - 0.970, COMPRESSION SPRINGS (OD) 0.970 - 1.410, COMPRESSION SPRINGS (OD) 1.410 - 2.820, 316 STAINLESS STEEL COMPRESSION SPRINGS, HEAVY DUTY COMPRESSION SPRINGS, CONICAL COMPRESSION SPRINGS, MULTIWAVE COMPRESSION SPRINGS.

MUSIC WIRE

Table with columns: Catalog #, Outside Diameter (OD) in/mm, Wire Diameter (d) in/mm, Free Length (L) Approx in/mm, Load Length (L1) in/mm, Solid Height (Sh) Approx in/mm, Load (P) at L1 lb/N, Spring Rate (R) lb/in/N/mm. Rows include various part numbers like C0845-080-0875-M, C0850-068-0750-M, etc.

STAINLESS STEEL

Table with columns: Catalog #, Load Length (L1) in/mm, Load (P) at L1 lb/N, Spring Rate (R) lb/in/N/mm. Rows include various part numbers like C0845-080-0875-S, C0850-068-0750-S, etc.

COMPRESSION SPRINGS (OD) 0.047 - 0.353

COMPRESSION SPRINGS (OD) 0.353 - 0.588

COMPRESSION SPRINGS (OD) 0.588 - 0.970

COMPRESSION SPRINGS (OD) 0.970 - 1.410

COMPRESSION SPRINGS (OD) 1.410 - 2.820

316 STAINLESS STEEL COMPRESSION SPRINGS

HEAVY DUTY COMPRESSION SPRINGS

CONICAL COMPRESSION SPRINGS

MILITARY COMPRESSION SPRINGS



MUSIC WIRE table with columns: Catalog #, Outside Diameter (OD) in/mm, Wire Diameter (d) in/mm, Free Length (L) in/mm, Load Length (L1) in/mm, Solid Height (Sh) in/mm, Load (P) at L1 in/lb, Spring Rate (R) in/lb/in, N/mm.

STAINLESS STEEL table with columns: Catalog #, Load Length (L) in/mm, Load (P) at L1 in/lb, Spring Rate (R) in/lb/in, N/mm.

Vertical text labels on the right side of the page: COMPRESSION SPRINGS (OD) 0.047 - 0.353, COMPRESSION SPRINGS (OD) 0.353 - 0.588, COMPRESSION SPRINGS (OD) 0.588 - 0.970, COMPRESSION SPRINGS (OD) 0.970 - 1.410, COMPRESSION SPRINGS (OD) 1.410 - 2.820, 316 STAINLESS STEEL COMPRESSION SPRINGS, HEAVY DUTY COMPRESSION SPRINGS, CONICAL COMPRESSION SPRINGS, MULTIWAVE COMPRESSION SPRINGS.

FOR INFORMATION ON ALTERNATIVE FINISHES, SEE PAGE 311



Part Numbers with an "*" are squared and not ground. Part Numbers in bold represent the newly expanded ASRaymond compression spring offering.

MUSIC WIRE

Table with columns: Catalog #, Outside Diameter (OD) in/mm, Wire Diameter (d) in/mm, Free Length (L) Approx in/mm, Load Length (L₁) in/mm, Solid Height (Sh) Approx in/mm, Load (P) at L₁ lb/N, Spring Rate (R) lb/in/N/mm. Rows include various catalog numbers like C0881-068-5000-M, C0881-072-1625-M, etc.

STAINLESS STEEL

Table with columns: Catalog #, Load Length (L₁) in/mm, Load (P) at L₁ lb/N, Spring Rate (R) lb/in/N/mm. Rows include various catalog numbers like C0881-068-5000-S, C0881-072-1625-S, etc.

COMPRESSION SPRINGS (OD) 0.047 - 0.353

COMPRESSION SPRINGS (OD) 0.353 - 0.588

COMPRESSION SPRINGS (OD) 0.588 - 0.970

COMPRESSION SPRINGS (OD) 0.970 - 1.410

COMPRESSION SPRINGS (OD) 1.410 - 2.820

316 STAINLESS STEEL COMPRESSION SPRINGS

HEAVY DUTY COMPRESSION SPRINGS

CONICAL COMPRESSION SPRINGS

MILITARY COMPRESSION SPRINGS



MUSIC WIRE

Table with columns: Catalog #, Outside Diameter (OD) in/mm, Wire Diameter (d) in/mm, Free Length (L) Approx in/mm, Load Length (L) in/mm, Solid Height (Sh) Approx in/mm, Load (P) at L1 lb/N, Spring Rate (R) lb/in/N/mm. Rows include part numbers like C0881-098-2875-M, C0881-098-3000-M, etc.

STAINLESS STEEL

Table with columns: Catalog #, Load Length (L) in/mm, Load (P) at L1 lb/N, Spring Rate (R) lb/in/N/mm. Rows include part numbers like C0881-098-2875-S, C0881-098-3000-S, etc.

COMPRESSION SPRINGS (OD) 0.047 - 0.353

COMPRESSION SPRINGS (OD) 0.353 - 0.588

COMPRESSION SPRINGS (OD) 0.588 - 0.970

COMPRESSION SPRINGS (OD) 0.970 - 1.410

COMPRESSION SPRINGS (OD) 1.410 - 2.820

316 STAINLESS STEEL COMPRESSION SPRINGS

HEAVY DUTY COMPRESSION SPRINGS

CONICAL COMPRESSION SPRINGS

MILITARY COMPRESSION SPRINGS



MUSIC WIRE

STAINLESS STEEL

Table with columns for Catalog #, Outside Diameter (OD), Wire Diameter (d), Free Length (L) Approx, Load Length (L), Solid Height (Sh) Approx, Load (P) at L1, Spring Rate (R), and corresponding values for Music Wire and Stainless Steel.

COMPRESSION SPRINGS (OD) 0.047 - 0.353, COMPRESSION SPRINGS (OD) 0.353 - 0.588, COMPRESSION SPRINGS (OD) 0.588 - 0.970, COMPRESSION SPRINGS (OD) 0.970 - 1.410, COMPRESSION SPRINGS (OD) 1.410 - 2.820, 316 STAINLESS STEEL COMPRESSION SPRINGS, HEAVY DUTY COMPRESSION SPRINGS, CONICAL COMPRESSION SPRINGS, MILITARY COMPRESSION SPRINGS



TO ORDER: WWW.ASRAYMOND.COM OR SEE PHONE & FAX NUMBERS ON THE BACK COVER

Part Numbers with an "*" are squared and not ground. Part Numbers in bold represent the newly expanded ASRaymond compression spring offering.

MUSIC WIRE

Table with columns: Catalog #, Outside Diameter (OD) in/mm, Wire Diameter (d) in/mm, Free Length (L) Approx in/mm, Load Length (L_L) in/mm, Solid Height (Sh) Approx in/mm, Load (P) at L_L lb/N, Spring Rate (R) lb/in/N/mm. Rows include various part numbers like D13370, C0938-080-0750-M, C0940-085-1625-M, etc.

STAINLESS STEEL

Table with columns: Catalog #, Load Length (L_L) in/mm, Load (P) at L_L lb/N, Spring Rate (R) lb/in/N/mm. Rows include various part numbers like D23370, C0938-080-0750-S, C0940-085-1625-S, etc.

COMPRESSION SPRINGS (OD) 0.047 - 0.353

COMPRESSION SPRINGS (OD) 0.353 - 0.588

COMPRESSION SPRINGS (OD) 0.588 - 0.970

COMPRESSION SPRINGS (OD) 0.970 - 1.410

COMPRESSION SPRINGS (OD) 1.410 - 2.820

316 STAINLESS STEEL COMPRESSION SPRINGS

HEAVY DUTY COMPRESSION SPRINGS

CONICAL COMPRESSION SPRINGS

MILITARY COMPRESSION SPRINGS



MUSIC WIRE

Table with columns: Catalog #, Outside Diameter (OD) in/mm, Wire Diameter (d) in/mm, Free Length (L) Approx in/mm, Load Length (L₁) in/mm, Solid Height (Sh) Approx in/mm, Load (P) at L₁ lb/N, Spring Rate (R) lb/in/N/mm. Rows include various catalog numbers like C0940-105-3000-M, C0940-105-3250-M, etc.

STAINLESS STEEL

Table with columns: Catalog #, Load Length (L₁) in/mm, Load (P) at L₁ lb/N, Spring Rate (R) lb/in/N/mm. Rows include various catalog numbers like C0940-105-3000-S, C0940-105-3250-S, etc.

COMPRESSION SPRINGS (OD) 0.947 - 0.953

COMPRESSION SPRINGS (OD) 0.953 - 0.958

COMPRESSION SPRINGS (OD) 0.958 - 0.970

COMPRESSION SPRINGS (OD) 0.970 - 1.410

COMPRESSION SPRINGS (OD) 1.410 - 2.820

316 STAINLESS STEEL COMPRESSION SPRINGS

HEAVY DUTY COMPRESSION SPRINGS

CONICAL COMPRESSION SPRINGS

MILITARY COMPRESSION SPRINGS



Table with columns: Catalog #, Outside Diameter (OD), Wire Diameter (d), Free Length (L), Load Length (L), Solid Height (Sh) Approx, Load (P) at L1, Spring Rate (R). Contains data for MUSIC WIRE and STAINLESS STEEL.

Table with columns: Catalog #, Load Length (L), Load (P) at L1, Spring Rate (R). Contains data for STAINLESS STEEL.

COMPRESSION SPRINGS (OD) 0.947 - 0.953

COMPRESSION SPRINGS (OD) 0.953 - 0.958

COMPRESSION SPRINGS (OD) 0.958 - 0.970

COMPRESSION SPRINGS (OD) 0.970 - 1.410

COMPRESSION SPRINGS (OD) 1.410 - 2.820

316 STAINLESS STEEL COMPRESSION SPRINGS

HEAVY DUTY COMPRESSION SPRINGS

CONICAL COMPRESSION SPRINGS

MULTI-WAVE COMPRESSION SPRINGS

MUSIC WIRE

Table with columns: Catalog #, Outside Diameter (OD) in/mm, Wire Diameter (d) in/mm, Free Length (L) Approx in/mm, Load Length (L_i) in/mm, Solid Height (Sh) Approx in/mm, Load (P) at L_i lb/N, Spring Rate (R) lb/in/N/mm. Rows include various part numbers like C0940-148-1500-M, C0940-148-1625-M, etc.

STAINLESS STEEL

Table with columns: Catalog #, Load Length (L_i) in/mm, Load (P) at L_i lb/N, Spring Rate (R) lb/in/N/mm. Rows include various part numbers like C0940-148-1500-S, C0940-148-1625-S, etc.



MUSIC WIRE

Table with columns: Catalog #, Outside Diameter (OD) in/mm, Wire Diameter (d) in/mm, Free Length (L) Approx in/mm, Load Length (L_i) in/mm, Solid Height (Sh) Approx in/mm, Load (P) at L_i lb/N, Spring Rate (R) lb/in/N/mm. Rows include series C0970-072-2000-M through C0970-105-4000-M.

STAINLESS STEEL

Table with columns: Catalog #, Load Length (L_i) in/mm, Load (P) at L_i lb/N, Spring Rate (R) lb/in/N/mm. Rows include series C0970-072-2000-S through C0970-105-4000-S.



MUSIC WIRE

Table with columns: Catalog #, Outside Diameter (OD) [in, mm], Wire Diameter (d) [in, mm], Free Length (L) Approx [in, mm], Load Length (L_L) [in, mm], Solid Height (Sh) Approx [in, mm], Load (P) at L_L [lb, N], Spring Rate (R) [lb/in, N/mm]. Rows include C0975-074-1250-M through C0975-125-4000-M.

STAINLESS STEEL

Table with columns: Catalog #, Load Length (L_L) [in, mm], Load (P) at L_L [lb, N], Spring Rate (R) [lb/in, N/mm]. Rows include C0975-074-1250-S through C0975-125-4000-S.

COMPRESSION SPRINGS (OD) 0.947 - 0.933

COMPRESSION SPRINGS (OD) 0.933 - 0.988

COMPRESSION SPRINGS (OD) 0.988 - 0.970

COMPRESSION SPRINGS (OD) 0.970 - 1.410

COMPRESSION SPRINGS (OD) 1.410 - 2.820

316 STAINLESS STEEL COMPRESSION SPRINGS

HEAVY DUTY COMPRESSION SPRINGS

CONICAL COMPRESSION SPRINGS

MILITARY COMPRESSION SPRINGS



MUSIC WIRE

Table with columns: Catalog #, Outside Diameter (OD) in/mm, Wire Diameter (d) in/mm, Free Length (L) Approx in/mm, Load Length (L₁) in/mm, Solid Height (Sh) Approx in/mm, Load (P) at L₁ lb/N, Spring Rate (R) lb/in/N/mm. Rows include various music wire part numbers from C0999-092-3000-M to C0999-105-2500-M.

STAINLESS STEEL

Table with columns: Catalog #, Load Length (L₁) in/mm, Load (P) at L₁ lb/N, Spring Rate (R) lb/in/N/mm. Rows include various stainless steel part numbers from C0999-092-3000-S to C0999-105-2500-S.

Vertical labels on the left side of the page: COMPRESSION SPRINGS (OD) 0.047 - 0.353, COMPRESSION SPRINGS (OD) 0.353 - 0.588, COMPRESSION SPRINGS (OD) 0.588 - 0.970, COMPRESSION SPRINGS (OD) 0.970 - 1.410, COMPRESSION SPRINGS (OD) 1.410 - 2.820, 316 STAINLESS STEEL COMPRESSION SPRINGS, HEAVY DUTY COMPRESSION SPRINGS, CONICAL COMPRESSION SPRINGS, MILITARY COMPRESSION SPRINGS.



Part Numbers with an "*" are squared and not ground. Part Numbers in bold represent the newly expanded ASRaymond compression spring offering.

MUSIC WIRE

STAINLESS STEEL

Table with columns for Catalog #, Outside Diameter (OD) in/mm, Wire Diameter (d) in/mm, Free Length (L) in/mm, Load Length (L_i) in/mm, Solid Height (Sh) in/mm, Load (P) at L_i in lb and N, and Spring Rate (R) in lb/in and N/mm. The table lists various spring models under MUSIC WIRE and STAINLESS STEEL categories, with rows grouped by material type (e.g., COMPRESSION SPRINGS, CONICAL COMPRESSION SPRINGS).



MUSIC WIRE

Table with columns: Catalog #, Outside Diameter (OD) in/mm, Wire Diameter (d) in/mm, Free Length (L) Approx in/mm, Load Length (L1) in/mm, Solid Height (Sh) Approx in/mm, Load (P) at L1 lb/N, Spring Rate (R) lb/in/N/mm. Rows include part numbers like C0999-162-8000-M, C0999-162-8500-M, etc.

STAINLESS STEEL

Table with columns: Catalog #, Load Length (L1) in/mm, Load (P) at L1 lb/N, Spring Rate (R) lb/in/N/mm. Rows include part numbers like C0999-162-8000-S, C0999-162-8500-S, etc.

COMPRESSION SPRINGS (OD) 0.997 - 0.933

COMPRESSION SPRINGS (OD) 0.933 - 0.958

COMPRESSION SPRINGS (OD) 0.958 - 0.970

COMPRESSION SPRINGS (OD) 0.970 - 1.410

COMPRESSION SPRINGS (OD) 1.410 - 2.820

316 STAINLESS STEEL COMPRESSION SPRINGS

HEAVY DUTY COMPRESSION SPRINGS

CONICAL COMPRESSION SPRINGS

MILITARY COMPRESSION SPRINGS



MUSIC WIRE

STAINLESS STEEL

Table with columns: Catalog #, Outside Diameter (OD) [in, mm], Wire Diameter (d) [in, mm], Free Length (L) [Approx, mm], Load Length (L₁) [in, mm], Solid Height (Sh) [Approx, mm], Load (P) at L₁ [lb, N], Spring Rate (R) [lb/in, N/mm]. Rows include part numbers like C1058-092-2875-M to C1058-105-2625-M.

Table with columns: Catalog #, Load Length (L₁) [in, mm], Load (P) at L₁ [lb, N], Spring Rate (R) [lb/in, N/mm]. Rows include part numbers like C1058-092-2875-S to C1058-105-2625-S.

COMPRESSION SPRINGS (OD) 0.047 - 0.353

COMPRESSION SPRINGS (OD) 0.353 - 0.588

COMPRESSION SPRINGS (OD) 0.588 - 0.970

COMPRESSION SPRINGS (OD) 0.970 - 1.410

COMPRESSION SPRINGS (OD) 1.410 - 2.820

316 STAINLESS STEEL COMPRESSION SPRINGS

HEAVY DUTY COMPRESSION SPRINGS

CONICAL COMPRESSION SPRINGS

MILITARY COMPRESSION SPRINGS



MUSIC WIRE table with columns: Catalog #, Outside Diameter (OD), Wire Diameter (d), Free Length (L) Approx, Load Length (L1), Solid Height (Sh) Approx, Load (P) at L1, Spring Rate (R). Rows include various part numbers like C1058-105-2750-M to C1058-125-2250-M.

STAINLESS STEEL table with columns: Catalog #, Load Length (L1), Load (P) at L1, Spring Rate (R). Rows include various part numbers like C1058-105-2750-S to C1058-125-2250-S.

Vertical text labels on the right side of the page: COMPRESSION SPRINGS (OD) 0.047 - 0.353, COMPRESSION SPRINGS (OD) 0.353 - 0.588, COMPRESSION SPRINGS (OD) 0.588 - 0.970, COMPRESSION SPRINGS (OD) 0.970 - 1.410, COMPRESSION SPRINGS (OD) 1.410 - 2.820, 316 STAINLESS STEEL COMPRESSION SPRINGS, HEAVY DUTY COMPRESSION SPRINGS, CONICAL COMPRESSION SPRINGS, MULTIWAVE COMPRESSION SPRINGS.

MUSIC WIRE

STAINLESS STEEL

Table with columns for Catalog #, Outside Diameter (OD), Wire Diameter (d), Free Length (L) Approx, Load Length (L), Solid Height (Sh) Approx, Load (P) at L1, and Spring Rate (R). It lists various spring models like C1058-125-2375-M and C1058-148-1750-M.

MUSIC WIRE

STAINLESS STEEL

Table with columns for Catalog #, Outside Diameter (OD), Wire Diameter (d), Free Length (L) Approx, Load Length (L1), Solid Height (Sh) Approx, Load (P) at L1, and Spring Rate (R). It lists various spring models like C1058-162-9500-M and C1058-192-1500-M.

COMPRESSION SPRINGS (OD) 0.047 - 0.353

COMPRESSION SPRINGS (OD) 0.353 - 0.588

COMPRESSION SPRINGS (OD) 0.588 - 0.970

COMPRESSION SPRINGS (OD) 0.970 - 1.410

COMPRESSION SPRINGS (OD) 1.410 - 2.820

316 STAINLESS STEEL COMPRESSION SPRINGS

HEAVY DUTY COMPRESSION SPRINGS

CONICAL COMPRESSION SPRINGS

MILITARY COMPRESSION SPRINGS



MUSIC WIRE table with columns: Catalog #, Outside Diameter (OD), Wire Diameter (d), Free Length (L) Approx, Load Length (L_i), Solid Height (Sh) Approx, Load (P) at L_i, Spring Rate (R)

STAINLESS STEEL table with columns: Catalog #, Load Length (L_i), Load (P) at L_i, Spring Rate (R)

Vertical labels on the right side: COMPRESSION SPRINGS (OD) 0.047 - 0.353, COMPRESSION SPRINGS (OD) 0.353 - 0.588, COMPRESSION SPRINGS (OD) 0.588 - 0.970, COMPRESSION SPRINGS (OD) 0.970 - 1.410, COMPRESSION SPRINGS (OD) 1.410 - 2.820, 316 STAINLESS STEEL COMPRESSION SPRINGS, HEAVY DUTY COMPRESSION SPRINGS, CONICAL COMPRESSION SPRINGS, MULTIWAVE COMPRESSION SPRINGS

MUSIC WIRE

Table with columns: Catalog #, Outside Diameter (OD) in/mm, Wire Diameter (d) in/mm, Free Length (L) Approx in/mm, Load Length (L_i) in/mm, Solid Height (Sh) Approx in/mm, Load (P) at L_i lb/N, Spring Rate (R) lb/in/N/mm. Rows include various part numbers like C1095-093-1750-M, C1095-093-2000-M, etc.

STAINLESS STEEL

Table with columns: Catalog #, Load Length (L_i) in/mm, Load (P) at L_i lb/N, Spring Rate (R) lb/in/N/mm. Rows include various part numbers like C1095-093-1750-S, C1095-093-2000-S, etc.

COMPRESSION SPRINGS (OD) 0.047 - 0.353

COMPRESSION SPRINGS (OD) 0.353 - 0.588

COMPRESSION SPRINGS (OD) 0.588 - 0.970

COMPRESSION SPRINGS (OD) 0.970 - 1.410

COMPRESSION SPRINGS (OD) 1.410 - 2.820

316 STAINLESS STEEL COMPRESSION SPRINGS

HEAVY DUTY COMPRESSION SPRINGS

CONICAL COMPRESSION SPRINGS

MILITARY COMPRESSION SPRINGS



MUSIC WIRE

STAINLESS STEEL

Table with columns for Catalog #, Outside Diameter (OD), Wire Diameter (d), Free Length (L) Approx, Load Length (L), Solid Height (Sh) Approx, Load (P) at L1, and Spring Rate (R). It contains two main sections: MUSIC WIRE and STAINLESS STEEL, each with multiple rows of data.



Table with columns for MUSIC WIRE and STAINLESS STEEL. Columns include Catalog #, Outside Diameter (OD), Wire Diameter (d), Free Length (L) Approx, Load Length (L), Solid Height (Sh) Approx, Load (P) at L1, and Spring Rate (R). Rows list various part numbers and their corresponding specifications.

FOR INFORMATION ON ALTERNATIVE FINISHES, SEE PAGE 311



Part Numbers with an "*" are squared and not ground. Part Numbers in bold represent the newly expanded ASRaymond compression spring offering.

Vertical labels on the right side of the page: COMPRESSION SPRINGS (OD) 0.047- 0.353, COMPRESSION SPRINGS (OD) 0.353- 0.598, COMPRESSION SPRINGS (OD) 0.598- 0.970, COMPRESSION SPRINGS (OD) 0.970- 1.410, COMPRESSION SPRINGS (OD) 1.410- 2.820, 316 STAINLESS STEEL COMPRESSION SPRINGS, HEAVY DUTY COMPRESSION SPRINGS, CONICAL COMPRESSION SPRINGS, MULTIWAVE COMPRESSION SPRINGS

MUSIC WIRE

STAINLESS STEEL

Table with columns: Catalog #, Outside Diameter (OD) in/mm, Wire Diameter (d) in/mm, Free Length (L) Approx in/mm, Load Length (L_i) in/mm, Solid Height (Sh) Approx in/mm, Load (P) at L_i lb/N, Spring Rate (R) lb/in/N/mm. Rows include part numbers like C1116-125-2250-M, C1116-125-2375-M, etc.

Table with columns: Catalog #, Load Length (L_i) in/mm, Load (P) at L_i lb/N, Spring Rate (R) lb/in/N/mm. Rows include part numbers like C1116-125-2250-S, C1116-125-2375-S, etc.

Vertical labels on the left side: COMPRESSION SPRINGS (OD 0.047 - 0.353), COMPRESSION SPRINGS (OD 0.353 - 0.588), COMPRESSION SPRINGS (OD 0.588 - 0.970), COMPRESSION SPRINGS (OD 0.970 - 1.410), COMPRESSION SPRINGS (OD 1.410 - 2.820), 316 STAINLESS STEEL COMPRESSION SPRINGS, HEAVY DUTY COMPRESSION SPRINGS, CONICAL COMPRESSION SPRINGS, MILITARY COMPRESSION SPRINGS



MUSIC WIRE table with columns: Catalog #, Outside Diameter (OD), Wire Diameter (d), Free Length (L) Approx, Load Length (L₁), Solid Height (Sh) Approx, Load (P) at L₁, and Spring Rate (R). Rows include part numbers like C1116-148-2000-M, C1116-162-1625-M, etc.

STAINLESS STEEL table with columns: Catalog #, Load Length (L₁), Load (P) at L₁, and Spring Rate (R). Rows include part numbers like C1116-148-2000-S, C1116-162-1625-S, etc.

Vertical labels on the right side: COMPRESSION SPRINGS (OD) 0.047-0.353, COMPRESSION SPRINGS (OD) 0.353-0.588, COMPRESSION SPRINGS (OD) 0.588-0.970, COMPRESSION SPRINGS (OD) 0.970-1.410, COMPRESSION SPRINGS (OD) 1.410-2.820, 316 STAINLESS STEEL COMPRESSION SPRINGS, HEAVY DUTY COMPRESSION SPRINGS, CONICAL COMPRESSION SPRINGS, MULTIWAVE COMPRESSION SPRINGS

MUSIC WIRE

STAINLESS STEEL

Table with columns for Catalog #, Outside Diameter (OD), Wire Diameter (d), Free Length (L) Approx, Load Length (L), Solid Height (Sh) Approx, Load (P) at L1, Spring Rate (R), and corresponding values for Stainless Steel. Rows include part numbers like C1116-177-1750-M and C1116-192-1750-S.



MUSIC WIRE table with columns: Catalog #, Outside Diameter (OD) [in, mm], Wire Diameter (d) [in, mm], Free Length (L) [in, mm], Load Length (L1) [in, mm], Solid Height (Sh) [in, mm], Load (P) at L1 [lb, N], Spring Rate (R) [lb/in, N/mm]. Rows include part numbers like C1116-192-9500-M and D13580.

STAINLESS STEEL table with columns: Catalog #, Load Length (L1) [in, mm], Load (P) at L1 [lb, N], Spring Rate (R) [lb/in, N/mm]. Rows include part numbers like C1116-192-9500-S and D23580.

Vertical labels on the right side: COMPRESSION SPRINGS (OD) 0.047-0.353, COMPRESSION SPRINGS (OD) 0.353-0.588, COMPRESSION SPRINGS (OD) 0.588-0.970, COMPRESSION SPRINGS (OD) 0.970-1.410, COMPRESSION SPRINGS (OD) 1.410-2.820, 316 STAINLESS STEEL COMPRESSION SPRINGS, HEAVY DUTY COMPRESSION SPRINGS, CONICAL COMPRESSION SPRINGS, MULTIWAVE COMPRESSION SPRINGS.

Part Numbers with an "*" are squared and not ground. Part Numbers in bold represent the newly expanded ASRaymond compression spring offering.

MUSIC WIRE

Table with columns: Catalog #, Outside Diameter (OD) in/mm, Wire Diameter (d) in/mm, Free Length (L) Approx in/mm, Load Length (L₁) in/mm, Solid Height (Sh) Approx in/mm, Load (P) at L₁ lb/N, Spring Rate (R) lb/in/N/mm. Rows include various part numbers like C1175-092-8000-M, C1175-098-2000-M, etc.

STAINLESS STEEL

Table with columns: Catalog #, Load Length (L₁) in/mm, Load (P) at L₁ lb/N, Spring Rate (R) lb/in/N/mm. Rows include various part numbers like C1175-092-8000-S, C1175-098-2000-S, etc.

COMPRESSION SPRINGS (OD) 0.047 - 0.353

COMPRESSION SPRINGS (OD) 0.353 - 0.588

COMPRESSION SPRINGS (OD) 0.588 - 0.970

COMPRESSION SPRINGS (OD) 0.970 - 1.410

COMPRESSION SPRINGS (OD) 1.410 - 2.820

316 STAINLESS STEEL COMPRESSION SPRINGS

HEAVY DUTY COMPRESSION SPRINGS

CONICAL COMPRESSION SPRINGS

MILITARY COMPRESSION SPRINGS



MUSIC WIRE

STAINLESS STEEL

Table with columns for Music Wire: Catalog #, Outside Diameter (OD) in/mm, Wire Diameter (d) in/mm, Free Length (L) in/mm, Load Length (L1) in/mm, Solid Height (Sh) in/mm, Load (P) at L1 in/N, and Spring Rate (R) lb/in/N/mm.

Table with columns for Stainless Steel: Catalog #, Load Length (L1) in/mm, Load (P) at L1 lb/N, and Spring Rate (R) lb/in/N/mm.

FOR INFORMATION ON ALTERNATIVE FINISHES, SEE PAGE 311

SPEC

Part Numbers with an "*" are squared and not ground. Part Numbers in bold represent the newly expanded ASRaymond compression spring offering.

COMPRESSION SPRINGS (OD) 0.047 - 0.353

COMPRESSION SPRINGS (OD) 0.353 - 0.588

COMPRESSION SPRINGS (OD) 0.588 - 0.970

COMPRESSION SPRINGS (OD) 0.970 - 1.410

COMPRESSION SPRINGS (OD) 1.410 - 2.820

316 STAINLESS STEEL COMPRESSION SPRINGS

HEAVY DUTY COMPRESSION SPRINGS

CONICAL COMPRESSION SPRINGS

MULTI-WAVE COMPRESSION SPRINGS

MUSIC WIRE

STAINLESS STEEL

Table with columns for Catalog #, Outside Diameter (OD), Wire Diameter (d), Free Length (L) Approx, Load Length (L), Solid Height (Sh) Approx, Load (P) at L1, and Spring Rate (R). It lists various spring models under Music Wire and Stainless Steel categories.



Table with columns: Catalog #, Outside Diameter (OD), Wire Diameter (d), Free Length (L) Approx, Load Length (L_i), Solid Height (Sh) Approx, Load (P) at L_i, Spring Rate (R). This section covers MUSIC WIRE.

Table with columns: Catalog #, Load Length (L_i), Load (P) at L_i, Spring Rate (R). This section covers STAINLESS STEEL.

FOR INFORMATION ON ALTERNATIVE FINISHES, SEE PAGE 311



Part Numbers with an "*" are squared and not ground. Part Numbers in bold represent the newly expanded ASRaymond compression spring offering.

COMPRESSION SPRINGS
(OD) 0.047 - 0.353

COMPRESSION SPRINGS
(OD) 0.353 - 0.588

COMPRESSION SPRINGS
(OD) 0.588 - 0.970

COMPRESSION SPRINGS
(OD) 0.970 - 1.410

COMPRESSION SPRINGS
(OD) 1.410 - 2.820

316 STAINLESS STEEL
COMPRESSION SPRINGS

HEAVY DUTY
COMPRESSION SPRINGS

CONICAL
COMPRESSION SPRINGS

MULTIWAVE
COMPRESSION SPRINGS

MUSIC WIRE

STAINLESS STEEL

Table with columns for Catalog #, Outside Diameter (OD), Wire Diameter (d), Free Length (L) Approx, Load Length (L1) Approx, Solid Height (Sh) Approx, Load (P) at L1, and Spring Rate (R). It lists various spring models under Music Wire and Stainless Steel categories.

Vertical text labels on the left side of the page: COMPRESSION SPRINGS (OD) 0.047-0.353, COMPRESSION SPRINGS (OD) 0.353-0.588, COMPRESSION SPRINGS (OD) 0.588-0.970, COMPRESSION SPRINGS (OD) 0.970-1.410, COMPRESSION SPRINGS (OD) 1.410-2.820, 316 STAINLESS STEEL COMPRESSION SPRINGS, HEAVY DUTY COMPRESSION SPRINGS, CONICAL COMPRESSION SPRINGS, MILITARY COMPRESSION SPRINGS



MUSIC WIRE

Table with columns: Catalog #, Outside Diameter (OD) [in, mm], Wire Diameter (d) [in, mm], Free Length (L) [in, mm], Load Length (L1) [in, mm], Solid Height (Sh) [in, mm], Load (P) at L1 [lb, N], Spring Rate (R) [lb/in, N/mm]. Rows include series like C1175-207-8500-M, C1175-207-9000-M, etc.

STAINLESS STEEL

Table with columns: Catalog #, Load Length (L1) [in, mm], Load (P) at L1 [lb, N], Spring Rate (R) [lb/in, N/mm]. Rows include series like C1175-207-8500-S, C1175-207-9000-S, etc.

Vertical labels on the right side: COMPRESSION SPRINGS (OD) 0.047 - 0.353, COMPRESSION SPRINGS (OD) 0.353 - 0.588, COMPRESSION SPRINGS (OD) 0.588 - 0.970, COMPRESSION SPRINGS (OD) 0.970 - 1.410, COMPRESSION SPRINGS (OD) 1.410 - 2.820, 316 STAINLESS STEEL COMPRESSION SPRINGS, HEAVY DUTY COMPRESSION SPRINGS, CONICAL COMPRESSION SPRINGS, MULTITWAVE COMPRESSION SPRINGS.

FOR INFORMATION ON ALTERNATIVE FINISHES, SEE PAGE 311



Part Numbers with an "*" are squared and not ground. Part Numbers in bold represent the newly expanded ASRaymond compression spring offering.

MUSIC WIRE

Table with columns: Catalog #, Outside Diameter (OD) in/mm, Wire Diameter (d) in/mm, Free Length (L) Approx in/mm, Load Length (L_i) in/mm, Solid Height (Sh) Approx in/mm, Load (P) at L_i lb/N, Spring Rate (R) lb/in/N/mm. Rows include part numbers like C1218-095-5000-M to C1225-096-4000-M.

STAINLESS STEEL

Table with columns: Catalog #, Load Length (L_i) in/mm, Load (P) at L_i lb/N, Spring Rate (R) lb/in/N/mm. Rows include part numbers like C1218-095-5000-S to C1225-096-4000-S.

COMPRESSION SPRINGS (OD) 0.047 - 0.353

COMPRESSION SPRINGS (OD) 0.353 - 0.588

COMPRESSION SPRINGS (OD) 0.588 - 0.970

COMPRESSION SPRINGS (OD) 0.970 - 1.410

COMPRESSION SPRINGS (OD) 1.410 - 2.820

316 STAINLESS STEEL COMPRESSION SPRINGS

HEAVY DUTY COMPRESSION SPRINGS

CONICAL COMPRESSION SPRINGS

MILITARY COMPRESSION SPRINGS



MUSIC WIRE

Table with columns: Catalog #, Outside Diameter (OD) in/mm, Wire Diameter (d) in/mm, Free Length (L) Approx in/mm, Load Length (L_i) in/mm, Solid Height (Sh) Approx in/mm, Load (P) at L_i lb/N, Spring Rate (R) lb/in/N/mm. Rows include various part numbers like C1225-177-1500-M, C1225-192-1500-M, C1234-098-2250-M, etc.

STAINLESS STEEL

Table with columns: Catalog #, Load Length (L_i) in/mm, Load (P) at L_i lb/N, Spring Rate (R) lb/in/N/mm. Rows include various part numbers like C1225-177-1500-S, C1225-192-1500-S, C1234-098-2250-S, etc.

Vertical labels on the left side of the page: COMPRESSION SPRINGS (OD) 0.047 - 0.353, COMPRESSION SPRINGS (OD) 0.353 - 0.588, COMPRESSION SPRINGS (OD) 0.588 - 0.970, COMPRESSION SPRINGS (OD) 0.970 - 1.410, COMPRESSION SPRINGS (OD) 1.410 - 2.820, 316 STAINLESS STEEL COMPRESSION SPRINGS, HEAVY DUTY COMPRESSION SPRINGS, CONICAL COMPRESSION SPRINGS, MILITARY COMPRESSION SPRINGS.



MUSIC WIRE

Table with columns: Catalog #, Outside Diameter (OD) in/mm, Wire Diameter (d) in/mm, Free Length (L) Approx in/mm, Load Length (L_L) in/mm, Solid Height (Sh) Approx in/mm, Load (P) at L_L lb/N, Spring Rate (R) lb/in/N/mm. Rows include various part numbers like C1234-125-5250-M, C1234-135-2000-M, etc.

STAINLESS STEEL

Table with columns: Catalog #, Load Length (L_L) in/mm, Load (P) at L_L lb/N, Spring Rate (R) lb/in/N/mm. Rows include various part numbers like C1234-125-5250-S, C1234-135-2000-S, etc.

COMPRESSION SPRINGS (OD) 0.047 - 0.353

COMPRESSION SPRINGS (OD) 0.353 - 0.588

COMPRESSION SPRINGS (OD) 0.588 - 0.970

COMPRESSION SPRINGS (OD) 0.970 - 1.410

COMPRESSION SPRINGS (OD) 1.410 - 2.820

316 STAINLESS STEEL COMPRESSION SPRINGS

HEAVY DUTY COMPRESSION SPRINGS

CONICAL COMPRESSION SPRINGS

MILITARY COMPRESSION SPRINGS



MUSIC WIRE

STAINLESS STEEL

Table with columns for Catalog #, Outside Diameter (OD), Wire Diameter (d), Free Length (L) Approx, Load Length (L1) Approx, Solid Height (Sh) Approx, Load (P) at L1, and Spring Rate (R). It lists various spring models under Music Wire and Stainless Steel categories.



MUSIC WIRE														
Catalog #	Outside Diameter (OD)		Wire Diameter (d)		Free Length (L) Approx		Load Length (L ₁)		Solid Height (Sh) Approx		Load (P) at L ₁		Spring Rate (R)	
	in	mm	in	mm	in	mm	in	mm	in	mm	lb	N	lb/in	N/mm
C1234-207-5500-M	1.234	31.34	0.207	5.26	5.500	139.70	3.966	100.73	3.880	98.55	235.83	1049.02	153.72	26.90
C1234-207-5750-M	1.234	31.34	0.207	5.26	5.750	146.05	4.140	105.17	4.049	102.85	235.83	1049.02	146.52	25.64
C1234-207-6000-M	1.234	31.34	0.207	5.26	6.000	152.40	4.315	109.60	4.219	107.15	235.83	1049.02	139.96	24.49
C1234-207-6250-M	1.234	31.34	0.207	5.26	6.250	158.75	4.490	114.04	4.388	111.45	235.83	1049.02	133.96	23.44
C1234-207-6500-M	1.234	31.34	0.207	5.26	6.500	165.10	4.664	118.47	4.557	115.75	235.83	1049.02	128.46	22.48
C1234-207-6750-M	1.234	31.34	0.207	5.26	6.750	171.45	4.839	122.91	4.727	120.06	235.83	1049.02	123.39	21.59
C1234-207-7000-M	1.234	31.34	0.207	5.26	7.000	177.80	5.013	127.34	4.896	124.36	235.83	1049.02	118.71	20.77
C1234-207-7500-M	1.234	31.34	0.207	5.26	7.500	190.50	5.363	136.21	5.235	132.96	235.83	1049.02	110.33	19.31
C1234-207-8000-M	1.234	31.34	0.207	5.26	8.000	203.20	5.712	145.08	5.573	141.56	235.83	1049.02	103.06	18.04
C1234-207-8500-M	1.234	31.34	0.207	5.26	8.500	215.90	6.061	153.95	5.912	150.16	235.83	1049.02	96.69	16.92
C1234-207-9000-M	1.234	31.34	0.207	5.26	9.000	228.60	6.410	162.82	6.251	158.77	235.83	1049.02	91.06	15.93
C1234-207-9500-M	1.234	31.34	0.207	5.26	9.500	241.30	6.759	171.69	6.589	167.37	235.83	1049.02	86.05	15.06
C1234-225-1750-M	1.234	31.34	0.225	5.72	1.750	44.45	1.475	37.47	1.427	36.24	243.85	1084.68	887.81	155.37
C1234-225-1875-M	1.234	31.34	0.225	5.72	1.875	47.63	1.572	39.93	1.519	38.57	245.34	1091.31	809.93	141.74
C1234-225-2000-M	1.234	31.34	0.225	5.72	2.000	50.80	1.669	42.39	1.610	40.90	246.58	1096.86	744.61	130.31
C1234-225-2125-M	1.234	31.34	0.225	5.72	2.125	53.98	1.766	44.85	1.702	43.24	247.65	1101.59	689.05	120.58
C1234-225-2250-M	1.234	31.34	0.225	5.72	2.250	57.15	1.862	47.30	1.794	45.57	248.56	1105.66	641.20	112.21
C1234-225-2375-M	1.234	31.34	0.225	5.72	2.375	60.33	1.959	49.76	1.886	47.90	249.36	1109.20	599.56	104.92
C1234-225-2500-M	1.234	31.34	0.225	5.72	2.500	63.50	2.056	52.22	1.977	50.23	250.06	1112.31	563.00	98.53
C1234-225-2625-M	1.234	31.34	0.225	5.72	2.625	66.68	2.153	54.68	2.069	52.56	250.68	1115.07	530.64	92.86
C1234-225-2750-M	1.234	31.34	0.225	5.72	2.750	69.85	2.162	54.91	2.161	54.89	295.12	1312.76	501.81	87.82
C1234-225-2875-M	1.234	31.34	0.225	5.72	2.875	73.03	2.255	57.27	2.253	57.22	295.12	1312.76	475.94	83.29
C1234-225-3000-M	1.234	31.34	0.225	5.72	3.000	76.20	2.348	59.64	2.345	59.55	295.12	1312.76	452.61	79.21
C1234-225-3250-M	1.234	31.34	0.225	5.72	3.250	82.55	2.534	64.36	2.548	64.21	295.12	1312.76	412.20	72.13
C1234-225-3500-M	1.234	31.34	0.225	5.72	3.500	88.90	2.720	69.09	2.712	68.87	295.12	1312.76	378.41	66.22
C1234-225-4000-M	1.234	31.34	0.225	5.72	4.000	101.60	3.092	78.54	3.079	78.20	295.12	1312.76	325.11	56.89
C1234-225-4250-M	1.234	31.34	0.225	5.72	4.250	107.95	3.278	83.27	3.262	82.86	295.12	1312.76	303.72	53.15
C1234-225-4500-M	1.234	31.34	0.225	5.72	4.500	114.30	3.464	88.00	3.446	87.52	295.12	1312.76	284.98	49.87
C1234-225-4750-M	1.234	31.34	0.225	5.72	4.750	120.65	3.650	92.72	3.629	92.18	295.12	1312.76	268.41	46.97
C1234-225-5000-M	1.234	31.34	0.225	5.72	5.000	127.00	3.837	97.45	3.813	96.84	295.12	1312.76	253.66	44.39
C1234-225-5250-M	1.234	31.34	0.225	5.72	5.250	133.35	4.023	102.17	3.996	101.51	295.12	1312.76	240.45	42.08
C1234-225-5500-M	1.234	31.34	0.225	5.72	5.500	139.70	4.209	106.90	4.180	106.17	295.12	1312.76	228.55	40.00
C1234-225-5750-M	1.234	31.34	0.225	5.72	5.750	146.05	4.395	111.63	4.363	110.83	295.12	1312.76	217.76	38.11
C1234-225-6250-M	1.234	31.34	0.225	5.72	6.250	158.75	4.767	121.08	4.730	120.15	295.12	1312.76	198.99	34.82
C1234-225-6500-M	1.234	31.34	0.225	5.72	6.500	165.10	4.953	125.81	4.914	124.82	295.12	1312.76	190.77	33.38
C1234-225-6750-M	1.234	31.34	0.225	5.72	6.750	171.45	5.139	130.53	5.098	129.48	295.12	1312.76	183.20	32.06
C1234-225-7000-M	1.234	31.34	0.225	5.72	7.000	177.80	5.325	135.26	5.281	134.14	295.12	1312.76	176.21	30.84
C1234-225-7500-M	1.234	31.34	0.225	5.72	7.500	190.50	5.697	144.71	5.648	143.46	295.12	1312.76	163.71	28.65
C1234-225-8000-M	1.234	31.34	0.225	5.72	8.000	203.20	6.069	154.16	6.015	152.79	295.12	1312.76	152.87	26.75
C1234-225-8500-M	1.234	31.34	0.225	5.72	8.500	215.90	6.442	163.62	6.382	162.11	295.12	1312.76	143.37	25.09
C1234-225-9000-M	1.234	31.34	0.225	5.72	9.000	228.60	6.814	173.07	6.749	171.43	295.12	1312.76	134.99	23.62
C1234-225-9500-M	1.234	31.34	0.225	5.72	9.500	241.30	7.186	182.52	7.116	180.76	295.12	1312.76	127.53	22.32
C1293-105-2250-M	1.293	32.84	0.105	2.67	2.250	57.15	0.881	22.38	0.671	17.05	34.88	155.15	25.48	4.46
C1293-105-2375-M	1.293	32.84	0.105	2.67	2.375	60.33	0.922	23.42	0.699	17.76	34.88	155.15	24.01	4.20
C1293-105-2500-M	1.293	32.84	0.105	2.67	2.500	63.50	0.963	24.47	0.727	18.46	34.88	155.15	22.70	3.97
C1293-105-2625-M	1.293	32.84	0.105	2.67	2.625	66.68	1.004	25.51	0.754	19.16	34.88	155.15	21.52	3.77
C1293-105-2750-M	1.293	32.84	0.105	2.67	2.750	69.85	1.046	26.56	0.782	19.86	34.88	155.15	20.46	3.58
C1293-105-2875-M	1.293	32.84	0.105	2.67	2.875	73.03	1.087	27.60	0.810	20.56	34.88	155.15	19.50	3.41
C1293-105-3000-M	1.293	32.84	0.105	2.67	3.000	76.20	1.128	28.65	0.837	21.27	34.88	155.15	18.63	3.26
C1293-105-3250-M	1.293	32.84	0.105	2.67	3.250	82.55	1.210	30.73	0.893	22.67	34.88	155.15	17.10	2.99
C1293-105-3500-M	1.293	32.84	0.105	2.67	3.500	88.90	1.292	32.82	0.948	24.07	34.88	155.15	15.80	2.76
C1293-105-3750-M	1.293	32.84	0.105	2.67	3.750	95.25	1.374	34.91	1.003	25.48	34.88	155.15	14.68	2.57
C1293-105-4000-M	1.293	32.84	0.105	2.67	4.000	101.60	1.457	37.00	1.058	26.88	34.88	155.15	13.71	2.40
C1293-105-4250-M	1.293	32.84	0.105	2.67	4.250	107.95	1.539	39.09	1.114	28.28	34.88	155.15	12.87	2.25
C1293-105-4500-M	1.293	32.84	0.105	2.67	4.500	114.30	1.621	41.18	1.169	29.69	34.88	155.15	12.12	2.12
C1293-105-4750-M	1.293	32.84	0.105	2.67	4.750	120.65	1.703	43.27	1.224	31.09	34.88	155.15	11.45	2.00
C1293-105-5000-M	1.293	32.84	0.105	2.67	5.000	127.00	1.786	45.36	1.279	32.50	34.88	155.15	10.85	1.90
C1293-105-5250-M	1.293	32.84	0.105	2.67	5.250	133.35	1.868	47.44	1.335	33.90	34.88	155.15	10.31	1.80
C1293-105-5500-M	1.293	32.84	0.105	2.67	5.500	139.70	1.950	49.53	1.390	35.30	34.88	155.15	9.83	1.72
C1293-105-5750-M	1.293	32.84	0.105	2.67	5.750	146.05	2.032	51.62	1.445	36.71	34.88	155.15	9.38	1.64
C1293-105-6000-M	1.293	32.84	0.105	2.67	6.000	152.40	2.115	53.71	1.500	38.11	34.88	155.15	8.98	1.57
C1293-105-6250-M	1.293	32.84	0.105	2.67	6.250	158.75	2.197	55.80	1.556	39.51	34.88	155.15	8.61	1.51
C1293-105-6500-M	1.293	32.84	0.105	2.67	6.500	165.10	2.279	57.89	1.611	40.92	34.88	155.15	8.26	1.45
C1293-105-6750-M	1.293	32.84	0.105	2.67	6.750	171.45	2.361	59.98	1.666	42.32	34.88	155.15	7.95	1.39

STAINLESS STEEL						
Catalog #	Load Length (L ₁)		Load (P) at L ₁		Spring Rate (R)	
	in	mm	lb	N	lb/in	N/mm
C1234-207-5500-S	4.234	107.56	169.16	752.48	133.67	23.39
C1234-207-5750-S	4.422	112.33	169.16	752.48	127.41	22.30
C1234-207-6000-S	4.610	117.09	169.16	752.48	121.70	21.30
C1234-207-6250-S	4.798	121.86	169.16	752.48	116.49	20.39
C1234-207-6500-S	4.986	126.63	169.16	752.48	111.71	19.55
C1234-207-6750-S	5.173	131.40	169.16	752.48	107.30	18.78
C1234-207-7000-S	5.361	136.17	169.16	752.48	103.23	18.06
C1234-207-7500-S	5.737	145.71	169.16	752.48	95.94	16.79
C1234-207-8000-S	6.112	155.25	169.16	752.48	89.62	15.68
C1234-207-8500-S	6.488	164.79	169.16	752.48	84.08	14.71
C1234-207-9000-S	6.864	174.33	169.16	752.48	79.18	13.86
C1234-207-9500-S	7.239	183.87	169.16	752.48	74.82	13.09
C1234-225-1750-S	1.479	37.58	208.84	928.99	772.01	135.10
C1234-225-187						

MUSIC WIRE

STAINLESS STEEL

Table with columns for Catalog #, Outside Diameter (OD), Wire Diameter (d), Free Length (L) Approx, Load Length (L_i), Solid Height (Sh) Approx, Load (P) at L_i, and Spring Rate (R). It lists specifications for Music Wire and Stainless Steel compression springs across various dimensions and materials.

Vertical text labels on the left side of the page: COMPRESSION SPRINGS (OD) 0.047 - 0.353, COMPRESSION SPRINGS (OD) 0.353 - 0.588, COMPRESSION SPRINGS (OD) 0.588 - 0.970, COMPRESSION SPRINGS (OD) 0.970 - 1.410, COMPRESSION SPRINGS (OD) 1.410 - 2.820, 316 STAINLESS STEEL COMPRESSION SPRINGS, HEAVY DUTY COMPRESSION SPRINGS, CONICAL COMPRESSION SPRINGS, MILITARY COMPRESSION SPRINGS



Part Numbers with an "*" are squared and not ground. Part Numbers in bold represent the newly expanded ASRaymond compression spring offering.

MUSIC WIRE														
Catalog #	Outside Diameter (OD)		Wire Diameter (d)		Free Length (L) Approx		Load Length (L ₁)		Solid Height (Sh) Approx		Load (P) at L ₁		Spring Rate (R)	
	in	mm	in	mm	in	mm	in	mm	in	mm	lb	N	lb/in	N/mm
C1293-125-9500-M*	1.293	32.84	0.125	3.18	9.500	241.30	4.012	101.90	3.196	81.17	56.62	251.87	10.32	1.81
C1293-135-2000-M	1.293	32.84	0.135	3.43	2.000	50.80	1.022	25.96	0.892	22.65	70.08	311.72	71.65	12.54
C1293-135-2125-M	1.293	32.84	0.135	3.43	3.425	53.98	1.076	27.34	0.936	23.77	70.08	311.72	66.82	11.69
C1293-135-2250-M	1.293	32.84	0.135	3.43	2.250	57.15	1.131	28.72	0.980	24.88	70.08	311.72	62.60	10.96
C1293-135-2375-M	1.293	32.84	0.135	3.43	2.375	60.33	1.185	30.10	1.024	26.00	70.08	311.72	58.89	10.31
C1293-135-2500-M	1.293	32.84	0.135	3.43	2.500	63.50	1.239	31.48	1.068	27.12	70.08	311.72	55.59	9.73
C1293-135-2625-M	1.293	32.84	0.135	3.43	2.625	66.68	1.294	32.86	1.112	28.23	70.08	311.72	52.64	9.21
C1293-135-2750-M	1.293	32.84	0.135	3.43	2.750	69.85	1.348	34.24	1.156	29.35	70.08	311.72	49.98	8.75
C1293-135-2875-M	1.293	32.84	0.135	3.43	2.875	73.03	1.402	35.62	1.199	30.47	70.08	311.72	47.58	8.33
C1293-135-3000-M	1.293	32.84	0.135	3.43	3.000	76.20	1.457	37.00	1.243	31.58	70.08	311.72	45.40	7.95
C1293-135-3250-M	1.293	32.84	0.135	3.43	3.250	82.55	1.565	39.76	1.331	33.82	70.08	311.72	41.60	7.28
C1293-135-3500-M	1.293	32.84	0.135	3.43	3.500	88.90	1.674	42.52	1.419	36.05	70.08	311.72	38.38	6.72
C1293-135-3750-M	1.293	32.84	0.135	3.43	3.750	95.25	1.783	45.28	1.507	38.28	70.08	311.72	35.62	6.23
C1293-135-4000-M	1.293	32.84	0.135	3.43	4.000	101.60	1.891	48.04	1.595	40.51	70.08	311.72	33.23	5.82
C1293-135-4250-M	1.293	32.84	0.135	3.43	4.250	107.95	2.000	50.80	1.683	42.75	70.08	311.72	31.14	5.45
C1293-135-4500-M	1.293	32.84	0.135	3.43	4.500	114.30	2.109	53.56	1.771	44.98	70.08	311.72	29.30	5.13
C1293-135-4750-M	1.293	32.84	0.135	3.43	4.750	120.65	2.217	56.32	1.859	47.21	70.08	311.72	27.67	4.84
C1293-135-5000-M	1.293	32.84	0.135	3.43	5.000	127.00	2.326	59.08	1.947	49.45	70.08	311.72	26.21	4.59
C1293-135-5250-M	1.293	32.84	0.135	3.43	5.250	133.35	2.435	61.84	2.035	51.68	70.08	311.72	24.89	4.36
C1293-135-5500-M	1.293	32.84	0.135	3.43	5.500	139.70	2.543	64.60	2.122	53.91	70.08	311.72	23.70	4.15
C1293-135-5750-M	1.293	32.84	0.135	3.43	5.750	146.05	2.652	67.36	2.210	56.14	70.08	311.72	22.62	3.96
C1293-135-6000-M	1.293	32.84	0.135	3.43	6.000	152.40	2.761	70.12	2.298	58.38	70.08	311.72	21.63	3.79
C1293-135-6250-M	1.293	32.84	0.135	3.43	6.250	158.75	2.869	72.88	2.386	60.61	70.08	311.72	20.73	3.63
C1293-135-6500-M	1.293	32.84	0.135	3.43	6.500	165.10	2.978	75.64	2.474	62.84	70.08	311.72	19.90	3.48
C1293-135-6750-M	1.293	32.84	0.135	3.43	6.750	171.45	3.087	78.40	2.562	65.08	70.08	311.72	19.13	3.35
C1293-135-7000-M	1.293	32.84	0.135	3.43	7.000	177.80	3.195	81.16	2.650	67.31	70.08	311.72	18.42	3.22
C1293-135-7500-M*	1.293	32.84	0.135	3.43	7.500	190.50	3.489	88.62	2.920	74.17	70.08	311.72	17.47	3.06
C1293-135-8000-M*	1.293	32.84	0.135	3.43	8.000	203.20	3.706	94.14	3.096	78.63	70.08	311.72	16.32	2.86
C1293-135-8500-M*	1.293	32.84	0.135	3.43	8.500	215.90	3.923	99.66	3.272	83.10	70.08	311.72	15.31	2.68
C1293-135-9000-M*	1.293	32.84	0.135	3.43	9.000	228.60	4.141	105.18	3.447	87.57	70.08	311.72	14.42	2.52
C1293-135-9500-M*	1.293	32.84	0.135	3.43	9.500	241.30	4.358	110.70	3.623	92.03	70.08	311.72	13.63	2.39
C1293-148-1875-M	1.293	32.84	0.148	3.76	1.875	47.63	1.056	26.83	0.958	24.32	90.34	401.87	110.38	19.32
C1293-148-2000-M	1.293	32.84	0.148	3.76	2.000	50.80	1.117	28.36	1.009	25.63	90.34	401.87	102.28	17.90
C1293-148-2125-M	1.293	32.84	0.148	3.76	2.125	53.98	1.177	29.89	1.060	26.93	90.34	401.87	95.29	16.68
C1293-148-2250-M	1.293	32.84	0.148	3.76	2.250	57.15	1.237	31.42	1.111	28.23	90.34	401.87	89.20	15.61
C1293-148-2375-M	1.293	32.84	0.148	3.76	2.375	60.33	1.297	32.95	1.162	29.53	90.34	401.87	83.83	14.67
C1293-148-2500-M	1.293	32.84	0.148	3.76	2.500	63.50	1.358	34.48	1.214	30.83	90.34	401.87	79.08	13.84
C1293-148-2625-M	1.293	32.84	0.148	3.76	2.625	66.68	1.418	36.01	1.265	32.13	90.34	401.87	74.83	13.10
C1293-148-2750-M	1.293	32.84	0.148	3.76	2.750	69.85	1.478	37.54	1.316	33.43	90.34	401.87	71.02	12.43
C1293-148-2875-M	1.293	32.84	0.148	3.76	2.875	73.03	1.538	39.07	1.367	34.73	90.34	401.87	67.58	11.83
C1293-148-3000-M	1.293	32.84	0.148	3.76	3.000	76.20	1.598	40.60	1.419	36.03	90.34	401.87	64.46	11.28
C1293-148-3250-M	1.293	32.84	0.148	3.76	3.250	82.55	1.719	43.66	1.521	38.63	90.34	401.87	59.00	10.33
C1293-148-3500-M	1.293	32.84	0.148	3.76	3.500	88.90	1.839	46.71	1.623	41.23	90.34	401.87	54.40	9.52
C1293-148-3750-M	1.293	32.84	0.148	3.76	3.750	95.25	1.960	49.77	1.726	43.83	90.34	401.87	50.46	8.83
C1293-148-4000-M	1.293	32.84	0.148	3.76	4.000	101.60	2.080	52.83	1.828	46.44	90.34	401.87	47.05	8.23
C1293-148-4250-M	1.293	32.84	0.148	3.76	4.250	107.95	2.200	55.89	1.931	49.04	90.34	401.87	44.08	7.71
C1293-148-4500-M	1.293	32.84	0.148	3.76	4.500	114.30	2.321	58.95	2.033	51.64	90.34	401.87	41.46	7.25
C1293-148-4750-M	1.293	32.84	0.148	3.76	4.750	120.65	2.441	62.01	2.135	54.24	90.34	401.87	39.13	6.85
C1293-148-5000-M	1.293	32.84	0.148	3.76	5.000	127.00	2.562	65.06	2.238	56.84	90.34	401.87	37.05	6.48
C1293-148-5250-M	1.293	32.84	0.148	3.76	5.250	133.35	2.682	68.12	2.340	59.44	90.34	401.87	35.18	6.16
C1293-148-5500-M	1.293	32.84	0.148	3.76	5.500	139.70	2.802	71.18	2.443	62.04	90.34	401.87	33.49	5.86
C1293-148-5750-M	1.293	32.84	0.148	3.76	5.750	146.05	2.923	74.24	2.545	64.65	90.34	401.87	31.96	5.59
C1293-148-6000-M	1.293	32.84	0.148	3.76	6.000	152.40	3.043	77.30	2.648	67.25	90.34	401.87	30.56	5.35
C1293-148-6250-M	1.293	32.84	0.148	3.76	6.250	158.75	3.164	80.36	2.750	69.85	90.34	401.87	29.27	5.12
C1293-148-6500-M	1.293	32.84	0.148	3.76	6.500	165.10	3.284	83.41	2.852	72.45	90.34	401.87	28.09	4.92
C1293-148-6750-M	1.293	32.84	0.148	3.76	6.750	171.45	3.404	86.47	2.955	75.05	90.34	401.87	27.00	4.73
C1293-148-7000-M	1.293	32.84	0.148	3.76	7.000	177.80	3.525	89.53	3.057	77.65	90.34	401.87	26.00	4.55
C1293-148-7500-M	1.293	32.84	0.148	3.76	7.500	190.50	3.766	95.65	3.262	82.85	90.34	401.87	24.19	4.23
C1293-148-8000-M	1.293	32.84	0.148	3.76	8.000	203.20	4.006	101.76	3.467	88.06	90.34	401.87	22.62	3.96
C1293-148-8500-M	1.293	32.84	0.148	3.76	8.500	215.90	4.247	107.88	3.672	93.26	90.34	401.87	21.24	3.72
C1293-148-9000-M	1.293	32.84	0.148	3.76	9.000	228.60	4.488	114.00	3.876	98.46	90.34	401.87	20.02	3.50
C1293-148-9500-M	1.293	32.84	0.148	3.76	9.500	241.30	4.729	120.11	4.081	103.67	90.34	401.87	18.94	3.31
C1293-162-1875-M	1.293	32.84	0.162	4.12	1.875	47.63	1.148	29.16	1.071	27.19	115.88	515.46	159.38	27.89
C1293-162-2000-M	1.293	32.84	0.162	4.12	2.000	50.80	1.214	30.84	1.129	28.69	115.88	515.46	147.49	25.81

STAINLESS STEEL						
Catalog #	Load Length (L ₁)		Load (P) at L ₁		Spring Rate (R)	
	in	mm	lb	N	lb/in	N/mm
C1293-125-9500-S*	4.680	118.88	43.24	192.34	8.97	1.57
C1293-135-2000-S	1.147	29.15	53.12	236.27	62.30	10.90
C1293-135-2125-S	1.211	30.76	53.12	236.27	58.11	10.17
C1293-135-2250-S	1.274	32.37	53.12	236.27	54.44	9.53
C1293-135-2375-S	1.338	33.98	53.12	236.27	51.21	8.96
C1293-135-2500-S	1.401	35.59	53.12	236.27	48.34	8.46
C1293-135-2625-S	1.465	37.20	53.12	236.27	45.77	8.01
C1293-135-2750-S	1.528	38.81	53.12	236.27	43.46	7.61
C1293-135-2875-S	1.591	40.42	53.12	236.27	41.38	7.24
C1293-135-3000-S	1.655	42.03	53.12	236.27	39.48	6.91
C1293-135-3250-S	1.782	45.25	53.12	236.27	36.17	6.33
C1293-135-3500-S	1.908	48.47	53.12	236.27	33.37	5.84
C1293-135-3750-S	2.035	51.69	53.12	236.27	30.97	5.42
C1293-135-4000-S	2.162	54.91	53.12	236.27	28.90	5.06
C1293-135-4250-S	2.289	58.13	53.12	236.27	27.08	4.74
C1293-135-4500-S	2.416	61.35	53.12	236.27	25.48	4.46

MUSIC WIRE

STAINLESS STEEL

Catalog #	Outside Diameter (OD)		Wire Diameter (d)		Free Length (L) Approx		Load Length (L _i)		Solid Height (Sh) Approx		Load (P) at L _i		Spring Rate (R)	
	in	mm	in	mm	in	mm	in	mm	in	mm	lb	N	lb/in	N/mm
	C1293-162-2125-M	1.293	32.84	0.162	4.12	2.125	53.98	1.281	32.53	1.188	30.18	115.88	515.46	137.25
C1293-162-2250-M	1.293	32.84	0.162	4.12	2.250	57.15	1.347	34.22	1.247	31.68	115.88	515.46	128.35	22.46
C1293-162-2375-M	1.293	32.84	0.162	4.12	2.375	60.33	1.414	35.90	1.306	33.17	115.88	515.46	120.52	21.09
C1293-162-2500-M	1.293	32.84	0.162	4.12	2.500	63.50	1.480	37.59	1.365	34.67	115.88	515.46	113.60	19.88
C1293-162-2625-M	1.293	32.84	0.162	4.12	2.625	66.68	1.546	39.28	1.424	36.16	115.88	515.46	107.43	18.80
C1293-162-2750-M	1.293	32.84	0.162	4.12	2.750	69.85	1.613	40.96	1.483	37.66	115.88	515.46	101.89	17.83
C1293-162-2875-M	1.293	32.84	0.162	4.12	2.875	73.03	1.679	42.65	1.542	39.15	115.88	515.46	96.90	16.96
C1293-162-3000-M	1.293	32.84	0.162	4.12	3.000	76.20	1.746	44.34	1.600	40.65	115.88	515.46	92.38	16.17
C1293-162-3250-M	1.293	32.84	0.162	4.12	3.250	82.55	1.878	47.71	1.718	43.64	115.88	515.46	84.48	14.78
C1293-162-3500-M	1.293	32.84	0.162	4.12	3.500	88.90	2.011	51.08	1.836	46.63	115.88	515.46	77.83	13.62
C1293-162-3750-M	1.293	32.84	0.162	4.12	3.750	95.25	2.144	54.46	1.954	49.62	115.88	515.46	72.15	12.63
C1293-162-4000-M	1.293	32.84	0.162	4.12	4.000	101.60	2.277	57.83	2.071	52.61	115.88	515.46	67.25	11.77
C1293-162-4250-M	1.293	32.84	0.162	4.12	4.250	107.95	2.410	61.20	2.189	55.60	115.88	515.46	62.96	11.02
C1293-162-4500-M	1.293	32.84	0.162	4.12	4.500	114.30	2.542	64.58	2.307	58.59	115.88	515.46	59.19	10.36
C1293-162-4750-M	1.293	32.84	0.162	4.12	4.750	120.65	2.675	67.95	2.424	61.58	115.88	515.46	55.85	9.77
C1293-162-5000-M	1.293	32.84	0.162	4.12	5.000	127.00	2.808	71.32	2.542	64.57	115.88	515.46	52.87	9.25
C1293-162-5250-M	1.293	32.84	0.162	4.12	5.250	133.35	2.941	74.70	2.660	67.56	115.88	515.46	50.18	8.78
C1293-162-5500-M	1.293	32.84	0.162	4.12	5.500	139.70	3.074	78.07	2.778	70.55	115.88	515.46	47.76	8.36
C1293-162-5750-M	1.293	32.84	0.162	4.12	5.750	146.05	3.206	81.44	2.895	73.54	115.88	515.46	45.56	7.97
C1293-162-6000-M	1.293	32.84	0.162	4.12	6.000	152.40	3.339	84.82	3.013	76.53	115.88	515.46	43.55	7.62
C1293-162-6250-M	1.293	32.84	0.162	4.12	6.250	158.75	3.472	88.19	3.131	79.52	115.88	515.46	41.71	7.30
C1293-162-6500-M	1.293	32.84	0.162	4.12	6.500	165.10	3.605	91.56	3.249	82.51	115.88	515.46	40.03	7.00
C1293-162-6750-M	1.293	32.84	0.162	4.12	6.750	171.45	3.738	94.94	3.366	85.50	115.88	515.46	38.47	6.73
C1293-162-7000-M	1.293	32.84	0.162	4.12	7.000	177.80	3.870	98.31	3.484	88.49	115.88	515.46	37.03	6.48
C1293-162-7500-M	1.293	32.84	0.162	4.12	7.500	190.50	4.136	105.06	3.720	94.48	115.88	515.46	34.45	6.03
C1293-162-8000-M	1.293	32.84	0.162	4.12	8.000	203.20	4.402	111.80	3.955	100.46	115.88	515.46	32.20	5.64
C1293-162-8500-M	1.293	32.84	0.162	4.12	8.500	215.90	4.667	118.55	4.190	106.44	115.88	515.46	30.23	5.29
C1293-162-9000-M	1.293	32.84	0.162	4.12	9.000	228.60	4.933	125.29	4.426	112.42	115.88	515.46	28.49	4.99
C1293-162-9500-M	1.293	32.84	0.162	4.12	9.500	241.30	5.198	132.04	4.661	118.40	115.88	515.46	26.94	4.71
C1293-177-1750-M	1.293	32.84	0.177	4.50	1.750	44.45	1.167	29.63	1.117	28.37	147.75	657.21	253.22	44.31
C1293-177-1875-M	1.293	32.84	0.177	4.50	1.875	47.63	1.239	31.48	1.183	30.06	147.75	657.21	232.41	40.67
C1293-177-2000-M	1.293	32.84	0.177	4.50	2.000	50.80	1.312	33.33	1.250	31.75	147.75	657.21	214.76	37.58
C1293-177-2125-M	1.293	32.84	0.177	4.50	2.125	53.98	1.385	35.17	1.317	33.45	147.75	657.21	199.60	34.93
C1293-177-2250-M	1.293	32.84	0.177	4.50	2.250	57.15	1.458	37.02	1.384	35.14	147.75	657.21	186.44	32.63
C1293-177-2375-M	1.293	32.84	0.177	4.50	2.375	60.33	1.530	38.87	1.450	36.84	147.75	657.21	174.91	30.61
C1293-177-2500-M	1.293	32.84	0.177	4.50	2.500	63.50	1.603	40.72	1.517	38.53	147.75	657.21	164.72	28.83
C1293-177-2625-M	1.293	32.84	0.177	4.50	2.625	66.68	1.676	42.57	1.584	40.23	147.75	657.21	155.66	27.24
C1293-177-2750-M	1.293	32.84	0.177	4.50	2.750	69.85	1.749	44.41	1.650	41.92	147.75	657.21	147.53	25.82
C1293-177-2875-M	1.293	32.84	0.177	4.50	2.875	73.03	1.821	46.26	1.717	43.62	147.75	657.21	140.22	24.54
C1293-177-3000-M	1.293	32.84	0.177	4.50	3.000	76.20	1.894	48.11	1.784	45.31	147.75	657.21	133.60	23.38
C1293-177-3250-M	1.293	32.84	0.177	4.50	3.250	82.55	2.040	51.81	1.917	48.70	147.75	657.21	122.06	21.36
C1293-177-3500-M	1.293	32.84	0.177	4.50	3.500	88.90	2.185	55.50	2.051	52.09	147.75	657.21	112.36	19.66
C1293-177-3750-M	1.293	32.84	0.177	4.50	3.750	95.25	2.331	59.20	2.184	55.48	147.75	657.21	104.09	18.22
C1293-177-4000-M	1.293	32.84	0.177	4.50	4.000	101.60	2.476	62.89	2.318	58.87	147.75	657.21	96.95	16.97
C1293-177-4250-M	1.293	32.84	0.177	4.50	4.250	107.95	2.622	66.59	2.451	62.25	147.75	657.21	90.73	15.88
C1293-177-4500-M	1.293	32.84	0.177	4.50	4.500	114.30	2.767	70.28	2.584	65.64	147.75	657.21	85.26	14.92
C1293-177-4750-M	1.293	32.84	0.177	4.50	4.750	120.65	2.913	73.98	2.718	69.03	147.75	657.21	80.41	14.07
C1293-177-5000-M	1.293	32.84	0.177	4.50	5.000	127.00	3.058	77.68	2.851	72.42	147.75	657.21	76.09	13.31
C1293-177-5250-M	1.293	32.84	0.177	4.50	5.250	133.35	3.204	81.37	2.985	75.81	147.75	657.21	72.20	12.64
C1293-177-5500-M	1.293	32.84	0.177	4.50	5.500	139.70	3.349	85.07	3.118	79.20	147.75	657.21	68.69	12.02
C1293-177-5750-M	1.293	32.84	0.177	4.50	5.750	146.05	3.495	88.76	3.252	82.59	147.75	657.21	65.51	11.46
C1293-177-6000-M	1.293	32.84	0.177	4.50	6.000	152.40	3.640	92.46	3.385	85.98	147.75	657.21	62.61	10.96
C1293-177-6250-M	1.293	32.84	0.177	4.50	6.250	158.75	3.786	96.16	3.518	89.37	147.75	657.21	59.96	10.49
C1293-177-6500-M	1.293	32.84	0.177	4.50	6.500	165.10	3.931	99.85	3.652	92.77	147.75	657.21	57.52	10.07
C1293-177-6750-M	1.293	32.84	0.177	4.50	6.750	171.45	4.077	103.55	3.785	96.14	147.75	657.21	55.27	9.67
C1293-177-7000-M	1.293	32.84	0.177	4.50	7.000	177.80	4.222	107.24	3.919	99.53	147.75	657.21	53.19	9.31
C1293-177-7500-M	1.293	32.84	0.177	4.50	7.500	190.50	4.513	114.64	4.185	106.31	147.75	657.21	49.47	8.66
C1293-177-8000-M	1.293	32.84	0.177	4.50	8.000	203.20	4.804	122.03	4.452	113.09	147.75	657.21	46.23	8.09
C1293-177-8500-M	1.293	32.84	0.177	4.50	8.500	215.90	5.095	129.42	4.719	119.87	147.75	657.21	43.40	7.59
C1293-177-9000-M	1.293	32.84	0.177	4.50	9.000	228.60	5.386	136.81	4.986	126.64	147.75	657.21	40.89	7.15
C1293-177-9500-M	1.293	32.84	0.177	4.50	9.500	241.30	5.677	144.20	5.253	133.42	147.75	657.21	38.65	6.76
C1293-192-1750-M	1.293	32.84	0.192	4.88	1.750	44.45	1.244	31.60	1.212	30.80	184.51	820.74	364.64	63.81
C1293-192-1875-M	1.293	32.84	0.192	4.88	1.875	47.63	1.323	33.60	1.286	32.68	184.51	820.74	334.07	58.46
C1293-192-2000-M	1.293	32.84	0.192	4.88	2.000	50.80	1.401	35.60	1.361	34.56	184.51	820.74	308.23	53.94

Catalog #	Load Length (L _i)		Load (P) at L _i		Spring Rate (R)	
	in	mm	lb	N	lb/in	N/mm
	C1293-162-2125-S	1.404	35.66	86.04	382.71	119.35
C1293-162-2250-S	1.479	37.57	86.04	382.71	111.61	19.53
C1293-162-2375-S	1.554	39.47	86.04	382.71	104.80	18.34
C1293-162-2500-S	1.629	41.38	86.04	382.71	98.78	17.29
C1293-162-2625-S	1.704	43.28	86.04	382.71	93.42	16.35
C1293-162-2750-S	1.779	45.19	86.04	382.71	88.60	15.51
C1293-162-2875-S	1.854	47.09	86.04	382.71	84.26	14.75
C1293-162-3000-S	1.929	48.99	86.04	382.71	80.33	14.06
C1293-162-3250-S	2.079	52.80	86.04	382.71	73.46	12.86
C1293-162-3500-S	2.229	56.61	86.04	382.71	67.68	11.84
C1293-162-3750-S	2.379	60.42	86.04	382.71	62.74	10.98
C1293-162-4000-S	2.529</					

MUSIC WIRE														
Catalog #	Outside Diameter (OD)		Wire Diameter (d)		Free Length (L) Approx		Load Length (L ₁)		Solid Height (Sh) Approx		Load (P) at L ₁		Spring Rate (R)	
	in	mm	in	mm	in	mm	in	mm	in	mm	lb	N	lb/in	N/mm
C1293-192-2125-M	1.293	32.84	0.192	4.88	1.215	53.98	1.480	37.59	1.435	36.44	184.51	820.74	286.10	50.07
C1293-192-2250-M	1.293	32.84	0.192	4.88	2.250	57.15	1.559	39.59	1.509	38.32	184.51	820.74	266.93	46.71
C1293-192-2375-M	1.293	32.84	0.192	4.88	3.275	60.33	1.637	41.59	1.583	40.20	184.51	820.74	250.18	43.78
C1293-192-2500-M	1.293	32.84	0.192	4.88	4.300	63.50	1.716	43.59	1.657	42.08	184.51	820.74	235.40	41.19
C1293-192-2625-M	1.293	32.84	0.192	4.88	5.325	66.68	1.795	45.59	1.731	43.96	184.51	820.74	222.27	38.90
C1293-192-2750-M	1.293	32.84	0.192	4.88	6.350	69.85	1.874	47.59	1.805	45.84	184.51	820.74	210.52	36.84
C1293-192-2875-M	1.293	32.84	0.192	4.88	7.375	73.03	1.952	49.59	1.879	47.72	184.51	820.74	199.96	34.99
C1293-192-3000-M	1.293	32.84	0.192	4.88	8.400	76.20	2.031	51.59	1.953	49.61	184.51	820.74	190.41	33.32
C1293-192-3250-M	1.293	32.84	0.192	4.88	10.450	82.55	2.188	55.58	2.101	53.37	184.51	820.74	173.80	30.41
C1293-192-3500-M	1.293	32.84	0.192	4.88	12.500	88.90	2.346	59.58	2.249	57.13	184.51	820.74	159.85	27.97
C1293-192-3750-M	1.293	32.84	0.192	4.88	14.550	95.25	2.503	63.58	2.397	60.89	184.51	820.74	147.98	25.90
C1293-192-4000-M	1.293	32.84	0.192	4.88	16.600	101.60	2.661	67.58	2.545	64.65	184.51	820.74	137.75	24.11
C1293-192-4250-M	1.293	32.84	0.192	4.88	18.650	107.95	2.818	71.58	2.693	68.41	184.51	820.74	128.84	22.55
C1293-192-4500-M	1.293	32.84	0.192	4.88	20.700	114.30	2.975	75.57	2.842	72.18	184.51	820.74	121.02	21.18
C1293-192-4750-M	1.293	32.84	0.192	4.88	22.750	120.65	3.133	79.57	2.990	75.94	184.51	820.74	114.09	19.97
C1293-192-5000-M	1.293	32.84	0.192	4.88	24.800	127.00	3.290	83.57	3.138	79.70	184.51	820.74	107.91	18.88
C1293-192-5250-M	1.293	32.84	0.192	4.88	26.850	133.35	3.448	87.57	3.286	83.46	184.51	820.74	102.36	17.91
C1293-192-5500-M	1.293	32.84	0.192	4.88	28.900	139.70	3.605	91.56	3.434	87.22	184.51	820.74	97.36	17.04
C1293-192-5750-M	1.293	32.84	0.192	4.88	30.950	146.05	3.762	95.56	3.582	90.99	184.51	820.74	92.83	16.24
C1293-192-6000-M	1.293	32.84	0.192	4.88	33.000	152.40	3.920	99.56	3.730	94.75	184.51	820.74	88.69	15.52
C1293-192-6250-M	1.293	32.84	0.192	4.88	35.050	158.75	4.077	103.56	3.878	98.51	184.51	820.74	84.91	14.86
C1293-192-6500-M	1.293	32.84	0.192	4.88	37.100	165.10	4.234	107.56	4.026	102.27	184.51	820.74	81.44	14.25
C1293-192-6750-M	1.293	32.84	0.192	4.88	39.150	171.45	4.392	111.55	4.175	106.03	184.51	820.74	78.24	13.69
C1293-192-7000-M	1.293	32.84	0.192	4.88	41.200	177.80	4.549	115.55	4.323	109.79	184.51	820.74	75.29	13.18
C1293-192-7500-M	1.293	32.84	0.192	4.88	45.700	190.50	4.864	123.55	4.619	117.32	184.51	820.74	70.00	12.25
C1293-192-8000-M	1.293	32.84	0.192	4.88	50.200	203.20	5.179	131.54	4.915	124.84	184.51	820.74	65.40	11.45
C1293-192-8500-M	1.293	32.84	0.192	4.88	54.700	215.90	5.494	139.54	5.211	132.37	184.51	820.74	61.37	10.74
C1293-192-9000-M	1.293	32.84	0.192	4.88	59.200	228.60	5.808	147.53	5.507	139.89	184.51	820.74	57.81	10.12
C1293-192-9500-M	1.293	32.84	0.192	4.88	63.700	241.30	6.123	155.53	5.804	147.41	184.51	820.74	54.64	9.56
C1293-207-1875-M	1.293	32.84	0.207	5.26	1.875	47.63	1.398	35.50	1.379	35.03	226.37	1006.94	474.24	82.99
C1293-207-2000-M	1.293	32.84	0.207	5.26	2.000	50.80	1.482	37.64	1.460	37.08	226.37	1006.94	436.86	76.45
C1293-207-2125-M	1.293	32.84	0.207	5.26	2.125	53.98	1.566	39.78	1.541	39.13	226.37	1006.94	404.95	70.87
C1293-207-2250-M	1.293	32.84	0.207	5.26	2.250	57.15	1.650	41.91	1.622	41.19	226.37	1006.94	377.38	66.04
C1293-207-2375-M	1.293	32.84	0.207	5.26	2.375	60.33	1.734	44.05	1.702	43.24	226.37	1006.94	353.32	61.83
C1293-207-2500-M	1.293	32.84	0.207	5.26	2.500	63.50	1.818	46.19	1.783	45.29	226.37	1006.94	332.15	58.13
C1293-207-2625-M	1.293	32.84	0.207	5.26	2.625	66.68	1.903	48.33	1.864	47.34	226.37	1006.94	313.37	54.84
C1293-207-2750-M	1.293	32.84	0.207	5.26	2.750	69.85	1.987	50.46	1.945	49.40	226.37	1006.94	296.60	51.91
C1293-207-2875-M	1.293	32.84	0.207	5.26	2.875	73.03	2.071	52.60	2.026	51.45	226.37	1006.94	281.54	49.27
C1293-207-3000-M	1.293	32.84	0.207	5.26	3.000	76.20	2.155	54.74	2.106	53.50	226.37	1006.94	267.93	46.89
C1293-207-3250-M	1.293	32.84	0.207	5.26	3.250	82.55	2.323	59.02	2.268	57.61	226.37	1006.94	244.31	42.75
C1293-207-3500-M	1.293	32.84	0.207	5.26	3.500	88.90	2.492	63.29	2.430	61.71	226.37	1006.94	224.52	39.29
C1293-207-3750-M	1.293	32.84	0.207	5.26	3.750	95.25	2.660	67.57	2.591	65.81	226.37	1006.94	207.69	36.35
C1293-207-4000-M	1.293	32.84	0.207	5.26	4.000	101.60	2.828	71.84	2.753	69.92	226.37	1006.94	193.21	33.81
C1293-207-4250-M	1.293	32.84	0.207	5.26	4.250	107.95	2.997	76.12	2.914	74.02	226.37	1006.94	180.62	31.61
C1293-207-4500-M	1.293	32.84	0.207	5.26	4.500	114.30	3.165	80.39	3.076	78.13	226.37	1006.94	169.57	29.67
C1293-207-4750-M	1.293	32.84	0.207	5.26	4.750	120.65	3.333	84.67	3.238	82.23	226.37	1006.94	159.79	27.96
C1293-207-5000-M	1.293	32.84	0.207	5.26	5.000	127.00	3.502	88.94	3.399	86.34	226.37	1006.94	151.08	26.44
C1293-207-5250-M	1.293	32.84	0.207	5.26	5.250	133.35	3.670	93.22	3.561	90.44	226.37	1006.94	143.27	25.07
C1293-207-5500-M	1.293	32.84	0.207	5.26	5.500	139.70	3.838	97.49	3.722	94.55	226.37	1006.94	136.23	23.84
C1293-207-5750-M	1.293	32.84	0.207	5.26	5.750	146.05	4.007	101.77	3.884	98.65	226.37	1006.94	129.85	22.72
C1293-207-6000-M	1.293	32.84	0.207	5.26	6.000	152.40	4.175	106.04	4.046	102.76	226.37	1006.94	124.04	21.71
C1293-207-6250-M	1.293	32.84	0.207	5.26	6.250	158.75	4.343	110.32	4.207	106.86	226.37	1006.94	118.72	20.78
C1293-207-6500-M	1.293	32.84	0.207	5.26	6.500	165.10	4.512	114.60	4.369	110.97	226.37	1006.94	113.85	19.92
C1293-207-6750-M	1.293	32.84	0.207	5.26	6.750	171.45	4.680	118.87	4.530	115.07	226.37	1006.94	109.35	19.14
C1293-207-7000-M	1.293	32.84	0.207	5.26	7.000	177.80	4.848	123.15	4.692	119.18	226.37	1006.94	105.20	18.41
C1293-207-7500-M	1.293	32.84	0.207	5.26	7.500	190.50	5.185	131.70	5.015	127.39	226.37	1006.94	97.78	17.11
C1293-207-8000-M	1.293	32.84	0.207	5.26	8.000	203.20	5.522	140.25	5.338	135.60	226.37	1006.94	91.34	15.98
C1293-207-8500-M	1.293	32.84	0.207	5.26	8.500	215.90	5.858	148.80	5.662	143.80	226.37	1006.94	85.69	15.00
C1293-207-9000-M	1.293	32.84	0.207	5.26	9.000	228.60	6.195	157.35	5.985	152.01	226.37	1006.94	80.70	14.12
C1293-207-9500-M	1.293	32.84	0.207	5.26	9.500	241.30	6.531	165.90	6.308	160.22	226.37	1006.94	76.26	13.34
C1293-225-1875-M	1.293	32.84	0.225	5.72	1.875	47.63	1.477	37.50	1.477	37.50	283.56	1261.36	711.63	124.54
C1293-225-2000-M	1.293	32.84	0.225	5.72	2.000	50.80	1.567	39.79	1.565	39.74	283.56	1261.36	654.24	114.49
C1293-225-2125-M	1.293	32.84	0.225	5.72	2.125	53.98	1.657	42.08	1.653	41.98	283.56	1261.36	605.42	105.95
C1293-225-2250-M	1.293	32.84	0.225	5.72	2.250	57.15	1.747	44.37	1.741	44.21	283.56	1261.36	563.37	98.59

STAINLESS STEEL						
Catalog #	Load Length (L ₁)		Load (P) at L ₁		Spring Rate (R)	
	in	mm	lb	N	lb/in	N/mm
C1293-192-2125-S	1.587	40.31	133.87	595.49	248.78	43.54
C1293-192-2250-S	1.673	42.50	133.87	595.49	232.12	40.62
C1293-192-2375-S	1.760	44.69	133.87	595.49	217.54	38.07
C1293-192-2500-S	1.846	46.89	133.87	595.49	204.69	35.82
C1293-192-2625-S	1.932	49.08	133.87	595.49	193.28	33.82
C1293-192-2750-S	2.019	51.28	133.87	595.49	183.06	32.04
C1293-192-2875-S	2.105	53.47	133.87	595.49	173.88	30.43
C1293-192-3000-S	2.191	55.66	133.87	595.49	165.57	28.97
C1293-192-3250-S	2.364	60.05	133.87	595.49	151.13	26.45
C1293-192-3500-S	2.537	64.44	133.87	595.49	139.00	24.33
C1293-192-3750-S	2.710	68.82	133.87	595.49	128.68	22.52
C1293-192-4000-S	2.882	73.21	133.87	595.49	119.78	20.96
C1293-192-4250-S	3.055	77.60	133.87	595		

MUSIC WIRE

Table with columns: Catalog #, Outside Diameter (OD) in/mm, Wire Diameter (d) in/mm, Free Length (L) Approx in/mm, Load Length (L₁) in/mm, Solid Height (Sh) Approx in/mm, Load (P) at L₁ lb/N, Spring Rate (R) lb/in/N/mm. Rows include various music wire models like C1293-225-2375-M, C1293-225-2500-M, etc.

STAINLESS STEEL

Table with columns: Catalog #, Load Length (L₁) in/mm, Load (P) at L₁ lb/N, Spring Rate (R) lb/in/N/mm. Rows include various stainless steel models like C1293-225-2375-S, C1293-225-2500-S, etc.

COMPRESSION SPRINGS (OD) 0.047 - 0.353

COMPRESSION SPRINGS (OD) 0.353 - 0.588

COMPRESSION SPRINGS (OD) 0.588 - 0.970

COMPRESSION SPRINGS (OD) 0.970 - 1.410

COMPRESSION SPRINGS (OD) 1.410 - 2.820

316 STAINLESS STEEL COMPRESSION SPRINGS

HEAVY DUTY COMPRESSION SPRINGS

CONICAL COMPRESSION SPRINGS

MILITARY COMPRESSION SPRINGS



MUSIC WIRE														
Catalog #	Outside Diameter (OD)		Wire Diameter (d)		Free Length (L) Approx		Load Length (L ₁)		Solid Height (Sh) Approx		Load (P) at L ₁		Spring Rate (R)	
	in	mm	in	mm	in	mm	in	mm	in	mm	lb	N	lb/in	N/mm
C1351-105-3250-M	1.351	34.32	0.105	2.67	3.250	82.55	1.168	29.67	0.841	21.35	33.44	148.75	16.06	2.81
C1351-105-3500-M	1.351	34.32	0.105	2.67	3.500	88.90	1.247	31.67	0.892	22.65	33.44	148.75	14.84	2.26
C1351-105-3750-M	1.351	34.32	0.105	2.67	3.750	95.25	1.325	33.67	0.943	23.94	33.44	148.75	13.79	2.41
C1351-105-4000-M	1.351	34.32	0.105	2.67	4.000	101.60	1.404	35.67	0.994	25.24	33.44	148.75	12.88	2.25
C1351-105-4250-M	1.351	34.32	0.105	2.67	4.250	107.95	1.483	37.67	1.045	26.53	33.44	148.75	12.09	2.11
C1351-105-4500-M	1.351	34.32	0.105	2.67	4.500	114.30	1.562	39.67	1.095	27.83	33.44	148.75	11.38	1.99
C1351-105-4750-M	1.351	34.32	0.105	2.67	4.750	120.65	1.641	41.67	1.146	29.12	33.44	148.75	10.75	1.88
C1351-105-5000-M	1.351	34.32	0.105	2.67	5.000	127.00	1.719	43.67	1.197	30.42	33.44	148.75	10.19	1.78
C1351-105-5250-M	1.351	34.32	0.105	2.67	5.250	133.35	1.798	45.67	1.248	31.71	33.44	148.75	9.69	1.70
C1351-105-5500-M	1.351	34.32	0.105	2.67	5.500	139.70	1.877	47.67	1.299	33.01	33.44	148.75	9.23	1.62
C1351-105-5750-M	1.351	34.32	0.105	2.67	5.750	146.05	1.956	49.67	1.350	34.30	33.44	148.75	8.81	1.54
C1351-105-6000-M	1.351	34.32	0.105	2.67	6.000	152.40	2.035	51.68	1.401	35.60	33.44	148.75	8.43	1.48
C1351-105-6250-M	1.351	34.32	0.105	2.67	6.250	158.75	2.113	53.68	1.452	36.89	33.44	148.75	8.08	1.41
C1351-105-6500-M	1.351	34.32	0.105	2.67	6.500	165.10	2.192	55.68	1.503	38.19	33.44	148.75	7.76	1.36
C1351-105-6750-M	1.351	34.32	0.105	2.67	6.750	171.45	2.271	57.68	1.554	39.48	33.44	148.75	7.47	1.31
C1351-105-7000-M	1.351	34.32	0.105	2.67	7.000	177.80	2.350	59.68	1.605	40.78	33.44	148.75	7.19	1.26
C1351-105-7500-M	1.351	34.32	0.105	2.67	7.500	190.50	2.507	63.68	1.707	43.37	33.44	148.75	6.70	1.17
C1351-105-8000-M	1.351	34.32	0.105	2.67	8.000	203.20	2.665	67.68	1.809	45.96	33.44	148.75	6.27	1.10
C1351-105-8500-M	1.351	34.32	0.105	2.67	8.500	215.90	2.822	71.69	1.911	48.55	33.44	148.75	5.89	1.03
C1351-105-9000-M	1.351	34.32	0.105	2.67	9.000	228.60	2.980	75.69	2.013	51.14	33.44	148.75	5.56	0.97
C1351-105-9500-M	1.351	34.32	0.105	2.67	9.500	241.30	3.137	79.69	2.115	53.73	33.44	148.75	5.26	0.92
C1351-112-2375-M	1.351	34.32	0.112	2.85	2.375	60.33	0.950	24.10	0.733	18.62	40.02	178.04	28.08	4.91
C1351-112-2500-M	1.351	34.32	0.112	2.85	2.500	63.50	0.992	25.20	0.762	19.36	40.02	178.04	26.54	4.64
C1351-112-2625-M	1.351	34.32	0.112	2.85	2.625	66.68	1.034	26.27	0.791	20.09	40.02	178.04	25.16	4.40
C1351-112-2750-M	1.351	34.32	0.112	2.85	2.750	69.85	1.076	27.34	0.820	20.83	40.02	178.04	23.91	4.18
C1351-112-2875-M	1.351	34.32	0.112	2.85	2.875	73.03	1.119	28.41	0.849	21.56	40.02	178.04	22.79	3.99
C1351-112-3000-M	1.351	34.32	0.112	2.85	3.000	76.20	1.161	29.48	0.878	22.30	40.02	178.04	21.76	3.81
C1351-112-3250-M	1.351	34.32	0.112	2.85	3.250	82.55	1.245	31.62	0.936	23.77	40.02	178.04	19.96	3.49
C1351-112-3500-M	1.351	34.32	0.112	2.85	3.500	88.90	1.329	33.77	0.994	25.24	40.02	178.04	18.44	3.23
C1351-112-3750-M	1.351	34.32	0.112	2.85	3.750	95.25	1.414	35.91	1.052	26.71	40.02	178.04	17.13	3.00
C1351-112-4000-M	1.351	34.32	0.112	2.85	4.000	101.60	1.498	38.05	1.109	28.18	40.02	178.04	16.00	2.80
C1351-112-4250-M	1.351	34.32	0.112	2.85	4.250	107.95	1.582	40.19	1.167	29.65	40.02	178.04	15.00	2.63
C1351-112-4500-M	1.351	34.32	0.112	2.85	4.500	114.30	1.667	42.34	1.225	31.12	40.02	178.04	14.13	2.47
C1351-112-4750-M	1.351	34.32	0.112	2.85	4.750	120.65	1.751	44.48	1.283	32.59	40.02	178.04	13.35	2.34
C1351-112-5000-M	1.351	34.32	0.112	2.85	5.000	127.00	1.836	46.62	1.341	34.06	40.02	178.04	12.65	2.21
C1351-112-5250-M	1.351	34.32	0.112	2.85	5.250	133.35	1.920	48.76	1.399	35.53	40.02	178.04	12.02	2.10
C1351-112-5500-M	1.351	34.32	0.112	2.85	5.500	139.70	2.004	50.91	1.457	37.00	40.02	178.04	11.45	2.00
C1351-112-5750-M	1.351	34.32	0.112	2.85	5.750	146.05	2.089	53.05	1.515	38.47	40.02	178.04	10.93	1.91
C1351-112-6000-M	1.351	34.32	0.112	2.85	6.000	152.40	2.173	55.19	1.572	39.94	40.02	178.04	10.46	1.83
C1351-112-6250-M	1.351	34.32	0.112	2.85	6.250	158.75	2.257	57.34	1.630	41.41	40.02	178.04	10.02	1.75
C1351-112-6500-M	1.351	34.32	0.112	2.85	6.500	165.10	2.342	59.48	1.688	42.88	40.02	178.04	9.63	1.68
C1351-112-6750-M	1.351	34.32	0.112	2.85	6.750	171.45	2.426	61.62	1.746	44.35	40.02	178.04	9.26	1.62
C1351-112-7000-M	1.351	34.32	0.112	2.85	7.000	177.80	2.510	63.76	1.804	45.82	40.02	178.04	8.92	1.56
C1351-112-7500-M	1.351	34.32	0.112	2.85	7.500	190.50	2.679	68.05	1.928	48.76	40.02	178.04	8.30	1.45
C1351-112-8000-M	1.351	34.32	0.112	2.85	8.000	203.20	2.848	72.33	2.036	51.70	40.02	178.04	7.77	1.36
C1351-112-8500-M	1.351	34.32	0.112	2.85	8.500	215.90	3.016	76.62	2.151	54.64	40.02	178.04	7.30	1.28
C1351-112-9000-M	1.351	34.32	0.112	2.85	9.000	228.60	3.185	80.90	2.267	57.58	40.02	178.04	6.88	1.20
C1351-112-9500-M	1.351	34.32	0.112	2.85	9.500	241.30	3.354	85.19	2.383	60.52	40.02	178.04	6.51	1.14
C1351-125-2125-M	1.351	34.32	0.125	3.18	2.125	53.98	0.964	24.48	0.797	20.24	54.31	241.59	46.78	8.19
C1351-125-2250-M	1.351	34.32	0.125	3.18	2.250	57.15	1.011	25.69	0.833	21.15	54.31	241.59	43.85	7.67
C1351-125-2375-M	1.351	34.32	0.125	3.18	2.375	60.33	1.059	26.90	0.868	22.05	54.31	241.59	41.27	7.22
C1351-125-2500-M	1.351	34.32	0.125	3.18	2.500	63.50	1.107	28.11	0.904	22.96	54.31	241.59	38.98	6.82
C1351-125-2625-M	1.351	34.32	0.125	3.18	2.625	66.68	1.154	29.32	0.939	23.86	54.31	241.59	36.93	6.46
C1351-125-2750-M	1.351	34.32	0.125	3.18	2.750	69.85	1.202	30.53	0.975	24.77	54.31	241.59	35.08	6.14
C1351-125-2875-M	1.351	34.32	0.125	3.18	2.875	73.03	1.249	31.73	1.011	25.67	54.31	241.59	33.41	5.85
C1351-125-3000-M	1.351	34.32	0.125	3.18	3.000	76.20	1.297	32.94	1.046	26.58	54.31	241.59	31.89	5.58
C1351-125-3250-M	1.351	34.32	0.125	3.18	3.250	82.55	1.392	35.36	1.118	28.39	54.31	241.59	29.23	5.12
C1351-125-3500-M	1.351	34.32	0.125	3.18	3.500	88.90	1.487	37.78	1.189	30.20	54.31	241.59	26.99	4.72
C1351-125-3750-M	1.351	34.32	0.125	3.18	3.750	95.25	1.583	40.20	1.260	32.00	54.31	241.59	25.06	4.39
C1351-125-4000-M	1.351	34.32	0.125	3.18	4.000	101.60	1.678	42.61	1.331	33.81	54.31	241.59	23.39	4.09
C1351-125-4250-M	1.351	34.32	0.125	3.18	4.250	107.95	1.773	45.03	1.403	35.62	54.31	241.59	21.93	3.84
C1351-125-4500-M	1.351	34.32	0.125	3.18	4.500	114.30	1.868	47.45	1.474	37.43	54.31	241.59	20.64	3.61
C1351-125-4750-M	1.351	34.32	0.125	3.18	4.750	120.65	1.963	49.87	1.545	39.24	54.31	241.59	19.49	3.41
C1351-125-5000-M	1.351	34.32	0.125	3.18	5.000	127.00	2.058	52.28	1.616	41.05	54.31	241.59	18.46	3.23

STAINLESS STEEL						
Catalog #	Load Length (L ₁)		Load (P) at L ₁		Spring Rate (R)	
	in	mm	lb	N	lb/in	N/mm
C1351-105-3250-S	1.395	35.43	25.91	115.24	13.97	2.44
C1351-105-3500-S	1.492	37.91	25.91	115.24	12.91	2.26
C1351-105-3750-S	1.590	40.38	25.91	115.24	11.99	2.10
C1351-105-4000-S	1.687	42.86	25.91	115.24	11.20	1.96
C1351-105-4250-S	1.785	45.34	25.91	115.24	10.51	1.84
C1351-105-4500-S	1.882	47.81	25.91	115.24	9.90	1.73
C1351-105-4750-S	1.980	50.29	25.91	115.24	9.35	1.64
C1351-105-5000-S	2.077	52.76	25.91	115.24	8.86	1.55
C1351-105-5250-S	2.175	55.24	25.91	115.24	8.42	1.47
C1351-105-5500-S	2.272	57.71	25.91	115.24	8.03	1.40
C1351-105-5750-S	2.370	60.19	25.91	115.24	7.66	1.34
C1351-105-6000-S	2.467	62.66	25.91	115.24	7.33	1.28
C1351-105-6250-S	2.564	65.14	25.91	115.24	7.03	1.23
C1351-105-6500-S	2.662	67.61	25.91	115.24	6.75	1.18
C1351-105-6750-S	2.759	70.09	25.91	115.24	6.49	1.14
C1351-105-7000-S	2.857	72.56	25.91	115.24	6.25	1.09
C1351-105-7500-S	3.052	77.51	25.91	11		

MUSIC WIRE

Table with columns: Catalog #, Outside Diameter (OD) in/mm, Wire Diameter (d) in/mm, Free Length (L) Approx in/mm, Load Length (L₁) in/mm, Solid Height (Sh) Approx in/mm, Load (P) at L₁ lb/N, Spring Rate (R) lb/in/N/mm. Rows include various part numbers like C1351-125-5250-M, C1351-125-5500-M, etc.

STAINLESS STEEL

Table with columns: Catalog #, Load Length (L₁) in/mm, Load (P) at L₁ lb/N, Spring Rate (R) lb/in/N/mm. Rows include various part numbers like C1351-125-5250-S, C1351-125-5500-S, etc.

COMPRESSION SPRINGS (OD) 0.047 - 0.353

COMPRESSION SPRINGS (OD) 0.353 - 0.588

COMPRESSION SPRINGS (OD) 0.588 - 0.970

COMPRESSION SPRINGS (OD) 0.970 - 1.410

COMPRESSION SPRINGS (OD) 1.410 - 2.820

316 STAINLESS STEEL COMPRESSION SPRINGS

HEAVY DUTY COMPRESSION SPRINGS

CONICAL COMPRESSION SPRINGS

MILITARY COMPRESSION SPRINGS



MUSIC WIRE

STAINLESS STEEL

Table with columns: Catalog #, Outside Diameter (OD) in/mm, Wire Diameter (d) in/mm, Free Length (L) Approx in/mm, Load Length (L₁) in/mm, Solid Height (Sh) Approx in/mm, Load (P) at L₁ lb/N, Spring Rate (R) lb/in/N/mm. Rows include part numbers like C1351-177-7000-M, C1351-177-7500-M, etc.

Table with columns: Catalog #, Load Length (L₁) in/mm, Load (P) at L₁ lb/N, Spring Rate (R) lb/in/N/mm. Rows include part numbers like C1351-177-7000-S, C1351-177-7500-S, etc.

COMPRESSION SPRINGS (OD) 0.047 - 0.353

COMPRESSION SPRINGS (OD) 0.353 - 0.588

COMPRESSION SPRINGS (OD) 0.588 - 0.970

COMPRESSION SPRINGS (OD) 0.970 - 1.410

COMPRESSION SPRINGS (OD) 1.410 - 2.820

316 STAINLESS STEEL COMPRESSION SPRINGS

HEAVY DUTY COMPRESSION SPRINGS

CONICAL COMPRESSION SPRINGS

MILITARY COMPRESSION SPRINGS



Table with columns: Catalog #, Outside Diameter (OD) in/mm, Wire Diameter (d) in/mm, Free Length (L) Approx in/mm, Load Length (L1) in/mm, Solid Height (Sh) Approx in/mm, Load (P) at L1 lb/N, Spring Rate (R) lb/in/N/mm. Rows include Music Wire and Stainless Steel series.

Table with columns: Catalog #, Load Length (L1) in/mm, Load (P) at L1 lb/N, Spring Rate (R) lb/in/N/mm. Rows include Stainless Steel series.

Vertical labels on the right side of the page: COMPRESSION SPRINGS (OD) 0.047 - 0.353, COMPRESSION SPRINGS (OD) 0.353 - 0.588, COMPRESSION SPRINGS (OD) 0.588 - 0.970, COMPRESSION SPRINGS (OD) 0.970 - 1.410, COMPRESSION SPRINGS (OD) 1.410 - 2.820, 316 STAINLESS STEEL COMPRESSION SPRINGS, HEAVY DUTY COMPRESSION SPRINGS, CONICAL COMPRESSION SPRINGS, MULTIWAVE COMPRESSION SPRINGS.

FOR INFORMATION ON ALTERNATIVE FINISHES, SEE PAGE 311



Part Numbers with an "*" are squared and not ground. Part Numbers in bold represent the newly expanded ASRaymond compression spring offering.

MUSIC WIRE

Table with columns: Catalog #, Outside Diameter (OD) in/mm, Wire Diameter (d) in/mm, Free Length (L) in/mm, Load Length (L1) in/mm, Solid Height (Sh) in/mm, Load (P) at L1 in/lb and N, Spring Rate (R) in/lb/in and N/mm. Rows include various catalog numbers like C1351-250-9500-M, D13140, C1400-162-2250-M, etc.

STAINLESS STEEL

Table with columns: Catalog #, Load Length (L1) in/mm, Load (P) at L1 in/lb and N, Spring Rate (R) in/lb/in and N/mm. Rows include various catalog numbers like C1351-250-9500-S, D23140, C1400-162-2250-S, etc.

Vertical text labels on the left side of the page: COMPRESSION SPRINGS (OD) 0.047 - 0.353, COMPRESSION SPRINGS (OD) 0.353 - 0.588, COMPRESSION SPRINGS (OD) 0.588 - 0.970, COMPRESSION SPRINGS (OD) 0.970 - 1.410, COMPRESSION SPRINGS (OD) 1.410 - 2.820, 316 STAINLESS STEEL COMPRESSION SPRINGS, HEAVY DUTY COMPRESSION SPRINGS, CONICAL COMPRESSION SPRINGS, MILITARY COMPRESSION SPRINGS



MUSIC WIRE table with columns: Catalog #, Outside Diameter (OD), Wire Diameter (d), Free Length (L) Approx, Load Length (L), Solid Height (Sh) Approx, Load (P) at L1, Spring Rate (R). Rows include various part numbers like C1410-125-3750-M, C1410-125-4000-M, etc.

STAINLESS STEEL table with columns: Catalog #, Load Length (L), Load (P) at L1, Spring Rate (R). Rows include various part numbers like C1410-125-3750-S, C1410-125-4000-S, etc.

Vertical text labels on the right side: COMPRESSION SPRINGS (OD) 0.047 - 0.353, COMPRESSION SPRINGS (OD) 0.353 - 0.588, COMPRESSION SPRINGS (OD) 0.588 - 0.970, COMPRESSION SPRINGS (OD) 0.970 - 1.410, COMPRESSION SPRINGS (OD) 1.410 - 2.820, 316 STAINLESS STEEL COMPRESSION SPRINGS, HEAVY DUTY COMPRESSION SPRINGS, CONICAL COMPRESSION SPRINGS, MULTIWAVE COMPRESSION SPRINGS

FOR INFORMATION ON ALTERNATIVE FINISHES, SEE PAGE 311

SPEC

Part Numbers with an "*" are squared and not ground. Part Numbers in bold represent the newly expanded ASRaymond compression spring offering.

MUSIC WIRE

STAINLESS STEEL

Table with columns for Catalog #, Outside Diameter (OD), Wire Diameter (d), Free Length (L), Load Length (L1), Solid Height (Sh) Approx, Load (P) at L1, and Spring Rate (R). It lists various spring specifications for Music Wire and Stainless Steel across multiple rows.

MUSIC WIRE

Table with columns: Catalog #, Outside Diameter (OD) in/mm, Wire Diameter (d) in/mm, Free Length (L) Approx in/mm, Load Length (L_L) in/mm, Solid Height (Sh) Approx in/mm, Load (P) at L_L lb/N, Spring Rate (R) lb/in/N/mm. Rows include various part numbers like C1410-207-8000-M, C1410-225-2000-M, etc.

STAINLESS STEEL

Table with columns: Catalog #, Load Length (L_L) in/mm, Load (P) at L_L lb/N, Spring Rate (R) lb/in/N/mm. Rows include various part numbers like C1410-207-8000-S, C1410-225-2000-S, etc.



MUSIC WIRE table with columns: Catalog #, Outside Diameter (OD) in/mm, Wire Diameter (d) in/mm, Free Length (L) in/mm, Load Length (L2) in/mm, Solid Height (Sh) in/mm, Load (P) at L1 in N, Spring Rate (R) lb/in N/mm. Rows include D13630-D13870 and C1460-112-1500-M to C1469-125-7500-M.

STAINLESS STEEL table with columns: Catalog #, Load Length (L2) in/mm, Load (P) at L1 in N, Spring Rate (R) lb/in N/mm. Rows include D23630-D23870 and C1460-112-1500-S to C1469-125-7500-S.

Vertical text labels on the right side: COMPRESSION SPRINGS (OD) 0.047 - 0.353, COMPRESSION SPRINGS (OD) 0.353 - 0.588, COMPRESSION SPRINGS (OD) 0.588 - 0.970, COMPRESSION SPRINGS (OD) 0.970 - 1.410, COMPRESSION SPRINGS (OD) 1.410 - 2.820, 316 STAINLESS STEEL COMPRESSION SPRINGS, HEAVY DUTY COMPRESSION SPRINGS, CONICAL COMPRESSION SPRINGS, MULTIWAVE COMPRESSION SPRINGS.

FOR INFORMATION ON ALTERNATIVE FINISHES, SEE PAGE 311



Part Numbers with an "*" are squared and not ground. Part Numbers in bold represent the newly expanded ASRaymond compression Spring offering.

MUSIC WIRE

Table with columns: Catalog #, Outside Diameter (OD) in/mm, Wire Diameter (d) in/mm, Free Length (L) Approx in/mm, Load Length (L1) in/mm, Solid Height (Sh) Approx in/mm, Load (P) at L1 lb/N, Spring Rate (R) lb/in/N/mm. Rows include various part numbers like C1469-125-8000-M, C1469-125-8500-M, etc.

STAINLESS STEEL

Table with columns: Catalog #, Load Length (L1) in/mm, Load (P) at L1 lb/N, Spring Rate (R) lb/in/N/mm. Rows include various part numbers like C1469-125-8000-S, C1469-125-8500-S, etc.

Vertical text labels on the left side of the page: COMPRESSION SPRINGS (OD) 0.047 - 0.353, COMPRESSION SPRINGS (OD) 0.353 - 0.588, COMPRESSION SPRINGS (OD) 0.588 - 0.970, COMPRESSION SPRINGS (OD) 0.970 - 1.410, COMPRESSION SPRINGS (OD) 1.410 - 2.820, 316 STAINLESS STEEL COMPRESSION SPRINGS, HEAVY DUTY COMPRESSION SPRINGS, CONICAL COMPRESSION SPRINGS, MILITARY COMPRESSION SPRINGS



MUSIC WIRE

Table with columns: Catalog #, Outside Diameter (OD) [in, mm], Wire Diameter (d) [in, mm], Free Length (L) Approx [in, mm], Load Length (L2) [in, mm], Solid Height (Sh) Approx [in, mm], Load (P) at L1 [lb, N], Spring Rate (R) [lb/in, N/mm]. Rows include parts like C1469-162-2750-M, C1469-177-2250-M, etc.

STAINLESS STEEL

Table with columns: Catalog #, Load Length (L2) [in, mm], Load (P) at L1 [lb, N], Spring Rate (R) [lb/in, N/mm]. Rows include parts like C1469-162-2750-S, C1469-177-2250-S, etc.

COMPRESSION SPRINGS (OD) 0.047 - 0.353

COMPRESSION SPRINGS (OD) 0.353 - 0.588

COMPRESSION SPRINGS (OD) 0.588 - 0.970

COMPRESSION SPRINGS (OD) 0.970 - 1.410

COMPRESSION SPRINGS (OD) 1.410 - 2.820

316 STAINLESS STEEL COMPRESSION SPRINGS

HEAVY DUTY COMPRESSION SPRINGS

CONICAL COMPRESSION SPRINGS

MULTIWAVE COMPRESSION SPRINGS

FOR INFORMATION ON ALTERNATIVE FINISHES, SEE PAGE 311



Part Numbers with an "*" are squared and not ground. Part Numbers in bold represent the newly expanded ASRaymond compression spring offering.

MUSIC WIRE

STAINLESS STEEL

Table with columns for Catalog #, Outside Diameter (OD), Wire Diameter (d), Free Length (L) Approx, Load Length (L1), Solid Height (Sh) Approx, Load (P) at L1, and Spring Rate (R). The table is organized into sections for Music Wire and Stainless Steel, with sub-sections for various spring types like Compression Springs, Heavy Duty Compression Springs, Conical Compression Springs, and Military Compression Springs.



MUSIC WIRE

STAINLESS STEEL

Table with columns for Catalog #, Outside Diameter (OD), Wire Diameter (d), Free Length (L) Approx, Load Length (L1), Solid Height (Sh) Approx, Load (P) at L1, and Spring Rate (R). It lists various spring models under Music Wire and Stainless Steel categories.



MUSIC WIRE

STAINLESS STEEL

Table with columns for Catalog #, Outside Diameter (OD), Wire Diameter (d), Free Length (L), Load Length (L1), Solid Height (Sh) Approx, Load (P) at L1, and Spring Rate (R). It lists various spring models under Music Wire and Stainless Steel categories.



MUSIC WIRE table with columns: Catalog #, Outside Diameter (OD) [in, mm], Wire Diameter (d) [in, mm], Free Length (L) [Approx, mm], Load Length (L_L) [in, mm], Solid Height (Sh) [Approx, mm], Load (P) at L_L [lb, N], Spring Rate (R) [lb/in, N/mm].

STAINLESS STEEL table with columns: Catalog #, Load Length (L_L) [in, mm], Load (P) at L_L [lb, N], Spring Rate (R) [lb/in, N/mm].

COMPRESSION SPRINGS (OD) 0.047 - 0.353

COMPRESSION SPRINGS (OD) 0.353 - 0.588

COMPRESSION SPRINGS (OD) 0.588 - 0.970

COMPRESSION SPRINGS (OD) 0.970 - 1.410

COMPRESSION SPRINGS (OD) 1.410 - 2.820

316 STAINLESS STEEL COMPRESSION SPRINGS

HEAVY DUTY COMPRESSION SPRINGS

CONICAL COMPRESSION SPRINGS

MULTI-WAVE COMPRESSION SPRINGS

FOR INFORMATION ON ALTERNATIVE FINISHES, SEE PAGE 311



Part Numbers with an "*" are squared and not ground. Part Numbers in bold represent the newly expanded ASRaymond compression spring offering.

MUSIC WIRE

STAINLESS STEEL

Table with columns: Catalog #, Outside Diameter (OD) in/mm, Wire Diameter (d) in/mm, Free Length (L) in/mm, Load Length (L1) in/mm, Solid Height (Sh) in/mm, Load (P) at L1 in N/lb/mm, and Spring Rate (R) in N/mm/lb/in.

Table with columns: Catalog #, Load Length (L1) in/mm, Load (P) at L1 in N/lb/mm, and Spring Rate (R) in N/mm/lb/in.



MUSIC WIRE

STAINLESS STEEL

Table with columns for Catalog #, Outside Diameter (OD), Wire Diameter (d), Free Length (L) Approx, Load Length (L1), Solid Height (Sh) Approx, Load (P) at L1, and Spring Rate (R). It lists various spring models under Music Wire and Stainless Steel categories.

Table with columns for Catalog #, Outside Diameter (OD), Wire Diameter (d), Free Length (L) Approx, Load Length (L₁), Solid Height (Sh) Approx, Load (P) at L₁, and Spring Rate (R). Includes sub-headers for MUSIC WIRE and STAINLESS STEEL.

Table with columns for Catalog #, Load Length (L₁), Load (P) at L₁, and Spring Rate (R). Includes sub-headers for STAINLESS STEEL.

COMPRESSION SPRINGS (OD) 0.047 - 0.353
COMPRESSION SPRINGS (OD) 0.353 - 0.588
COMPRESSION SPRINGS (OD) 0.588 - 0.970
COMPRESSION SPRINGS (OD) 0.970 - 1.410
COMPRESSION SPRINGS (OD) 1.410 - 2.820
316 STAINLESS STEEL COMPRESSION SPRINGS
HEAVY DUTY COMPRESSION SPRINGS
CONICAL COMPRESSION SPRINGS
MULTI-WAVE COMPRESSION SPRINGS

FOR INFORMATION ON ALTERNATIVE FINISHES, SEE PAGE 311



Part Numbers with an "*" are squared and not ground. Part Numbers in bold represent the newly expanded ASRaymond compression spring offering.

MUSIC WIRE

STAINLESS STEEL

Table with columns for Catalog #, Outside Diameter (OD), Wire Diameter (d), Free Length (L) Approx, Load Length (L1), Solid Height (Sh) Approx, Load (P) at L1, and Spring Rate (R). It lists various spring specifications for Music Wire and Stainless Steel across multiple categories.

MUSIC WIRE

STAINLESS STEEL

Table with columns for Catalog #, Outside Diameter (OD), Wire Diameter (d), Free Length (L), Load Length (L1), Solid Height (Sh) Approx, Load (P) at L1, and Spring Rate (R). It lists various spring models under Music Wire and Stainless Steel categories.



MUSIC WIRE

STAINLESS STEEL

Table with columns for Catalog #, Outside Diameter (OD), Wire Diameter (d), Free Length (L) Approx, Load Length (L1), Solid Height (Sh) Approx, Load (P) at L1, and Spring Rate (R). It lists various spring models like C1704-148-3250-M and C1704-148-3250-S.



MUSIC WIRE

Table with columns: Catalog #, Outside Diameter (OD) in/mm, Wire Diameter (d) in/mm, Free Length (L) in/mm, Load Length (L) in/mm, Solid Height (Sh) in/mm, Load (P) at L1 lb/N, Spring Rate (R) lb/in/N/mm. Rows include various spring models like C1704-177-6500-M, C1704-192-2375-M, etc.

STAINLESS STEEL

Table with columns: Catalog #, Load Length (L) in/mm, Load (P) at L1 lb/N, Spring Rate (R) lb/in/N/mm. Rows include various stainless steel spring models like C1704-177-6500-S*, C1704-192-2375-S, etc.

FOR INFORMATION ON ALTERNATIVE FINISHES, SEE PAGE 311



Part Numbers with an "*" are squared and not ground. Part Numbers in bold represent the newly expanded ASRaymond compression spring offering.

COMPRESSION SPRINGS
(OD) 0.363 - 0.363

COMPRESSION SPRINGS
(OD) 0.363 - 0.588

COMPRESSION SPRINGS
(OD) 0.588 - 0.970

COMPRESSION SPRINGS
(OD) 0.970 - 1.410

COMPRESSION SPRINGS
(OD) 1.410 - 2.820

316 STAINLESS STEEL
COMPRESSION SPRINGS

HEAVY DUTY
COMPRESSION SPRINGS

CONICAL
COMPRESSION SPRINGS

MULTI-WAVE
COMPRESSION SPRINGS

MUSIC WIRE

STAINLESS STEEL

Table with columns: Catalog #, Outside Diameter (OD), Wire Diameter (d), Free Length (L) Approx, Load Length (L1), Solid Height (Sh) Approx, Load (P) at L1, Spring Rate (R). Rows include C1704-225-2625-M to C1704-250-9500-M, D13680 to D13720, and C1763-148-2875-M to C1763-148-4250-M.

Table with columns: Catalog #, Load Length (L1), Load (P) at L1, Spring Rate (R). Rows include C1704-225-2625-S to C1704-225-9500-S, D23680 to D23720, and C1763-148-2875-S to C1763-148-4250-S.

MUSIC WIRE

STAINLESS STEEL

Table with columns: Catalog #, Outside Diameter (OD), Wire Diameter (d), Free Length (L) Approx, Load Length (L1), Solid Height (Sh) Approx, Load (P) at L1, Spring Rate (R). Rows include various music wire part numbers like C1763-177-9500-M*.

Table with columns: Catalog #, Load Length (L1), Load (P) at L1, Spring Rate (R). Rows include various stainless steel part numbers like C1763-177-9500-S*.

Vertical text labels on the left side of the page: COMPRESSION SPRINGS (OD) 0.047 - 0.353, COMPRESSION SPRINGS (OD) 0.353 - 0.588, COMPRESSION SPRINGS (OD) 0.588 - 0.970, COMPRESSION SPRINGS (OD) 0.970 - 1.410, COMPRESSION SPRINGS (OD) 1.410 - 2.820, 316 STAINLESS STEEL COMPRESSION SPRINGS, HEAVY DUTY COMPRESSION SPRINGS, CONICAL COMPRESSION SPRINGS, MILITARY COMPRESSION SPRINGS.



MUSIC WIRE table with columns: Catalog #, Outside Diameter (OD), Wire Diameter (d), Free Length (L) Approx, Load Length (L), Solid Height (Sh) Approx, Load (P) at L1, Spring Rate (R).

STAINLESS STEEL table with columns: Catalog #, Load Length (L), Load (P) at L1, Spring Rate (R).

Vertical labels on the right side of the page: COMPRESSION SPRINGS (OD) 0.047 - 0.353, COMPRESSION SPRINGS (OD) 0.353 - 0.588, COMPRESSION SPRINGS (OD) 0.588 - 0.970, COMPRESSION SPRINGS (OD) 0.970 - 1.410, COMPRESSION SPRINGS (OD) 1.410 - 2.820, 316 STAINLESS STEEL COMPRESSION SPRINGS, HEAVY DUTY COMPRESSION SPRINGS, CONICAL COMPRESSION SPRINGS, MULTIWAVE COMPRESSION SPRINGS.

MUSIC WIRE

STAINLESS STEEL

Table with columns for Catalog #, Outside Diameter (OD), Wire Diameter (d), Free Length (L) Approx, Load Length (L1), Solid Height (Sh) Approx, Load (P) at L1, and Spring Rate (R). It lists various spring models under Music Wire and Stainless Steel categories.

MUSIC WIRE

Table with columns: Catalog #, Outside Diameter (OD) in/mm, Wire Diameter (d) in/mm, Free Length (L) in/mm, Load Length (L1) in/mm, Solid Height (Sh) in/mm, Load (P) at L1 in/lb and N, Spring Rate (R) in/lb/in and N/mm. Rows include various catalog numbers like C1821-225-9000-M, C1880-148-3250-M, etc.

STAINLESS STEEL

Table with columns: Catalog #, Load Length (L1) in/mm, Load (P) at L1 in/lb and N, Spring Rate (R) in/lb/in and N/mm. Rows include various catalog numbers like C1821-225-9000-S, C1880-148-3250-S, etc.

MUSIC WIRE

STAINLESS STEEL

Table with columns for Catalog #, Outside Diameter (OD), Wire Diameter (d), Free Length (L) Approx, Load Length (L1), Solid Height (Sh) Approx, Load (P) at L1, and Spring Rate (R). It lists various spring models like C1880-207-4750-M and C1880-207-4750-S.

MUSIC WIRE table with columns: Catalog #, Outside Diameter (OD), Wire Diameter (d), Free Length (L) Approx, Load Length (L), Solid Height (Sh) Approx, Load (P) at L1, Spring Rate (R). Rows include parts like C1880-250-9000-M, C1937-148-2000-M, etc.

STAINLESS STEEL table with columns: Catalog #, Load Length (L), Load (P) at L1, Spring Rate (R). Rows include parts like C1880-250-9000-S, C1937-148-2000-S, etc.

COMPRESSION SPRINGS (OD) 0.353 - 0.353
COMPRESSION SPRINGS (OD) 0.353 - 0.588
COMPRESSION SPRINGS (OD) 0.588 - 0.970
COMPRESSION SPRINGS (OD) 0.970 - 1.410
COMPRESSION SPRINGS (OD) 1.410 - 2.820
316 STAINLESS STEEL COMPRESSION SPRINGS
HEAVY DUTY COMPRESSION SPRINGS
CONICAL COMPRESSION SPRINGS
MULTI-WAVE COMPRESSION SPRINGS

FOR INFORMATION ON ALTERNATIVE FINISHES, SEE PAGE 311

Part Numbers with an "*" are squared and not ground. Part Numbers in bold represent the newly expanded ASRaymond compression spring offering.



MUSIC WIRE

Table with columns: Catalog #, Outside Diameter (OD) in/mm, Wire Diameter (d) in/mm, Free Length (L) in/mm, Load Length (L1) in/mm, Solid Height (Sh) Approx in/mm, Load (P) at L1 lb/N, Spring Rate (R) lb/in/N/mm. Rows include various part numbers like C1939-162-4750-M, C1939-162-5000-M, etc.

STAINLESS STEEL

Table with columns: Catalog #, Load Length (L1) in/mm, Load (P) at L1 lb/N, Spring Rate (R) lb/in/N/mm. Rows include various part numbers like C1939-162-4750-S, C1939-162-5000-S, etc.

MUSIC WIRE

STAINLESS STEEL

Table with columns for Catalog #, Outside Diameter (OD), Wire Diameter (d), Free Length (L) Approx, Load Length (L1), Solid Height (Sh) Approx, Load (P) at L1, and Spring Rate (R). It lists various spring models under Music Wire and Stainless Steel categories.



MUSIC WIRE

STAINLESS STEEL

Table with columns for Catalog #, Outside Diameter (OD), Wire Diameter (d), Free Length (L), Load Length (L1), Solid Height (Sh) Approx, Load (P) at L1, and Spring Rate (R). It lists various spring models and their specifications.

MUSIC WIRE

STAINLESS STEEL

Table with columns for Catalog #, Outside Diameter (OD), Wire Diameter (d), Free Length (L) Approx, Load Length (L1), Solid Height (Sh) Approx, Load (P) at L1, and Spring Rate (R). It includes sub-sections for MUSIC WIRE and STAINLESS STEEL, with rows for various catalog numbers like C2056-250-4500-M and C2115-177-3500-M.



MUSIC WIRE

STAINLESS STEEL

Table with columns: Catalog #, Outside Diameter (OD) in/mm, Wire Diameter (d) in/mm, Free Length (L) in/mm, Load Length (L1) in/mm, Solid Height (Sh) in/mm, Load (P) at L1 in/lb, Spring Rate (R) in/lb-in/mm. Rows include D13930, D13940, D13950, D13960, D13970, and various C2174-177-3500-M to C2174-207-8500-M* models.

Table with columns: Catalog #, Load Length (L1) in/mm, Load (P) at L1 in/lb, Spring Rate (R) in/lb-in/mm. Rows include D23930, D23940, D23950, D23960, D23970, and various C2174-177-3500-S to C2174-207-8500-S* models.

COMPRESSION SPRINGS (OD) 0.047 - 0.353

COMPRESSION SPRINGS (OD) 0.353 - 0.588

COMPRESSION SPRINGS (OD) 0.588 - 0.970

COMPRESSION SPRINGS (OD) 0.970 - 1.410

COMPRESSION SPRINGS (OD) 1.410 - 2.820

316 STAINLESS STEEL COMPRESSION SPRINGS

HEAVY DUTY COMPRESSION SPRINGS

CONICAL COMPRESSION SPRINGS

MILITARY COMPRESSION SPRINGS



MUSIC WIRE

Table with columns: Catalog #, Outside Diameter (OD) in/mm, Wire Diameter (d) in/mm, Free Length (L) Approx in/mm, Load Length (L1) in/mm, Solid Height (Sh) Approx in/mm, Load (P) at L1 lb/N, Spring Rate (R) lb/in/N/mm. Rows include various part numbers like C2233-192-3500-M, C2233-192-3750-M, etc.

STAINLESS STEEL

Table with columns: Catalog #, Load Length (L1) in/mm, Load (P) at L1 lb/N, Spring Rate (R) lb/in/N/mm. Rows include various part numbers like C2233-192-3500-S, C2233-192-3750-S, etc.

Vertical labels on the left side of the page: COMPRESSION SPRINGS (OD) 0.047 - 0.353, COMPRESSION SPRINGS (OD) 0.353 - 0.588, COMPRESSION SPRINGS (OD) 0.588 - 0.970, COMPRESSION SPRINGS (OD) 0.970 - 1.410, COMPRESSION SPRINGS (OD) 1.410 - 2.820, 316 STAINLESS STEEL COMPRESSION SPRINGS, HEAVY DUTY COMPRESSION SPRINGS, CONICAL COMPRESSION SPRINGS, MILITARY COMPRESSION SPRINGS



MUSIC WIRE

Table with columns: Catalog #, Outside Diameter (OD) in/mm, Wire Diameter (d) in/mm, Free Length (L) in/mm, Load Length (L1) in/mm, Solid Height (Sh) Approx in/mm, Load (P) at L1 in/lb and N, Spring Rate (R) in/lb/in and N/mm. Rows include various part numbers like C2291-207-5750-M, C2291-207-6000-M, etc.

STAINLESS STEEL

Table with columns: Catalog #, Load Length (L1) in/mm, Load (P) at L1 in/lb and N, Spring Rate (R) in/lb/in and N/mm. Rows include various part numbers like C2291-207-5750-S, C2291-207-6000-S, etc.

COMPRESSION SPRINGS (OD) 0.047 - 0.353

COMPRESSION SPRINGS (OD) 0.353 - 0.588

COMPRESSION SPRINGS (OD) 0.588 - 0.970

COMPRESSION SPRINGS (OD) 0.970 - 1.410

COMPRESSION SPRINGS (OD) 1.410 - 2.820

316 STAINLESS STEEL COMPRESSION SPRINGS

HEAVY DUTY COMPRESSION SPRINGS

CONICAL COMPRESSION SPRINGS

MILITARY COMPRESSION SPRINGS



MUSIC WIRE

STAINLESS STEEL

Table with columns for Catalog #, Outside Diameter (OD), Wire Diameter (d), Free Length (L) Approx, Load Length (L1), Solid Height (Sh) Approx, Load (P) at L1, and Spring Rate (R). It lists various spring models like C2350-250-8000-M* and C2409-192-4000-S* with their respective specifications.



MUSIC WIRE

Table with columns: Catalog #, Outside Diameter (OD) (in, mm), Wire Diameter (d) (in, mm), Free Length (L) (in, mm), Load Length (L1) (in, mm), Solid Height (Sh) Approx (in, mm), Load (P) at L1 (lb, N), Spring Rate (R) (lb/in, N/mm).

STAINLESS STEEL

Table with columns: Catalog #, Load Length (L1) (in, mm), Load (P) at L1 (lb, N), Spring Rate (R) (lb/in, N/mm).

MUSIC WIRE

Table with columns: Catalog #, Outside Diameter (OD) in/mm, Wire Diameter (d) in/mm, Free Length (L) in/mm, Load Length (L1) in/mm, Solid Height (Sh) in/mm, Load (P) at L1 in/lb, Spring Rate (R) in/lb/in and N/mm.

STAINLESS STEEL

Table with columns: Catalog #, Load Length (L1) in/mm, Load (P) at L1 in/lb, Spring Rate (R) in/lb/in and N/mm.



MUSIC WIRE table with columns: Catalog #, Outside Diameter (OD), Wire Diameter (d), Free Length (L) Approx, Load Length (L_i), Solid Height (Sh) Approx, Load (P) at L_i, Spring Rate (R)

STAINLESS STEEL table with columns: Catalog #, Load Length (L_i), Load (P) at L_i, Spring Rate (R)

FOR INFORMATION ON ALTERNATIVE FINISHES, SEE PAGE 311



Part Numbers with an "*" are squared and not ground. Part Numbers in bold represent the newly expanded ASRaymond compression spring offering.

Vertical text labels on the right side of the page: COMPRESSION SPRINGS (OD) 0.047 - 0.353, COMPRESSION SPRINGS (OD) 0.353 - 0.588, COMPRESSION SPRINGS (OD) 0.588 - 0.970, COMPRESSION SPRINGS (OD) 0.970 - 1.410, COMPRESSION SPRINGS (OD) 1.410 - 2.820, 316 STAINLESS STEEL COMPRESSION SPRINGS, HEAVY DUTY COMPRESSION SPRINGS, CONICAL COMPRESSION SPRINGS, MULTIWAVE COMPRESSION SPRINGS

COMPRESSION SPRINGS – 316 STAINLESS STEEL

Stock sizes in 316 Stainless Steel

ASRaymond now offers a complete line of 316 Stainless Steel compression springs. 316 Stainless Steel provides superior temperature and corrosion resistance, which makes it particularly suitable for:

- Medical, surgical, veterinary and pharmaceutical applications
- Food and food preparation machinery and equipment
- Marine, aircraft and aerospace uses
- Harsh environment projects

Material

Stainless steel: Type 316 per ASTM A313 (Chemical and Physical only).

Stainless steel is not recommended above 300 degrees C. (570 degrees F.).

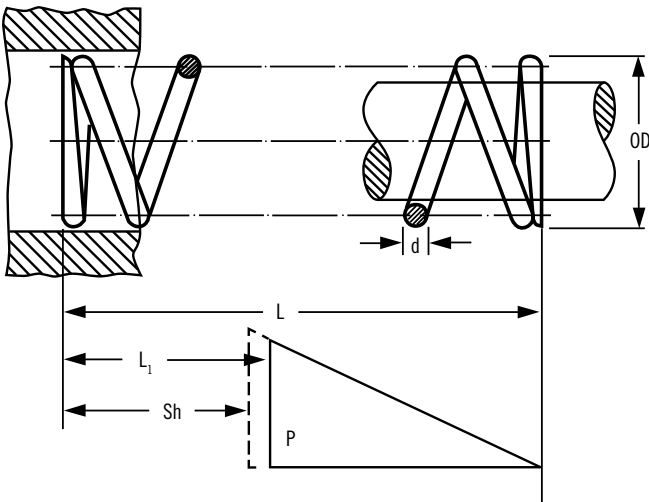
Stainless Steel 316 is **slightly magnetic** due to cold working during manufacturing. Stainless steel springs may have a slight residue of nickel on the surface of the wire. This is normal and will not affect the function of the part.

Wire diameter is prior to forming.

No charge for certificate of compliance when requested; certificate of chemical analysis also available (an additional charge applies).

Coil Direction (helix)

Right hand. Coil count is for reference only.



- OD= Outside diameter
- d = Wire diameter
- Sh = Approx Solid Height
- L = Free length (reference use only)
- L₁ = Loaded length (minimum working length)
- P = Load at L₁

Free Length

Free length is reference only.

Ends

Parts are squared and ground unless denoted with an *. Parts ending with an * are squared and not ground. However, springs with wire diameter ≤ 0.020" (.5mm) may be squared, not ground.

Tolerances

O.D. (English)	O.D. (Metric)
0.057 to 0.119" +/- 0.003"	1.45 to 3.02 mm +/- 0.08 mm
0.120 to 0.240" +/- 0.005"	3.05 to 6.10 mm +/- 0.13 mm
0.241 to 0.500" +/- 0.008"	6.12 to 12.70 mm +/- 0.20 mm
0.501 to 1.000" +/- 0.015"	12.73 to 25.40 mm +/- 0.38 mm
1.001 to 1.225" +/- 0.020"	25.43 to 31.12 mm +/- 0.51 mm
1.226 to 1.460" +/- 0.030"	31.14 to 37.08 mm +/- 0.76 mm
1.461 to 2.000" +/- 0.040"	37.11 to 50.80 mm +/- 1.02 mm

Loads & Spring Rate

Load P at L₁ and spring rate R are +/- 10.0% – load at any other point is for reference only.

For normal service, springs should not be compressed below L₁ (may take set beyond L₁). Load values at lengths other than L₁ can be approximated by multiplying the proposed deflection by the rate R. $P = (L - L_x) \times R$ where L_x is the new load height. Load at L_x should be reference only. Contact our engineering department if more stringent requirements are needed.

Surface Finish

Plain wire, passivated per ASTM A967. Special finishes available upon request. See page 311 for alternative finishes.

Packaging

Parts are bulk-packed. Due to physical characteristics, tangling can occur during transit on wire sizes under .035" (.89mm). Please inquire about ultrasonic cleaning and special packaging when ordering.

(OD) 0.047 - 0.088

316 STAINLESS STEEL

Table with 15 columns: Catalog #, Outside Diameter (OD) [in, mm], Wire Diameter (d) [in, mm], Free Length (L) Approx [in, mm], Load Length (L1) [in, mm], Solid Height (Sh) Approx [in, mm], Load (P) at L1 [lb, N], and Spring Rate (R) [lb/in, N/mm]. Rows include various spring models like D20100X*, C0057-006-0120-X*, D20350X*, D20360X*, D20370X*, D20380X*, D20390X*, D20200X*, D20210X*, D20220X*, D20230X*, D20240X*, D20400X*, D20410X*, D20420X*, D20430X*, D20440X*, D20600X*, D20610X*, D20620X*, D20630X*, D20640X*, D20250X*, D20260X*, D20270X*, D20280X*, D20290X*, C0088-008-0120-X*, and C0088-008-0190-X*.

316 STAINLESS STEEL

Table with columns: Catalog #, Outside Diameter (OD) [in, mm], Wire Diameter (d) [in, mm], Free Length (L) Approx [in, mm], Load Length (L₁) [in, mm], Solid Height (Sh) Approx [in, mm], Load (P) at L₁ [lb, N], Spring Rate (R) [lb/in, N/mm]. Rows include part numbers like C0180-020-0250-X* and various spring specifications.

316 STAINLESS STEEL

Table with columns: Catalog #, Outside Diameter (OD), Wire Diameter (d), Free Length (L) Approx, Load Length (L), Solid Height (Sh) Approx, Load (P) at L1, and Spring Rate (R). Rows include various part numbers from C0180-029-0310-X to C0210-018-0310-X*.

COMPRESSION SPRINGS
(OD) 0.047 - 0.353

COMPRESSION SPRINGS
(OD) 0.353 - 0.588

COMPRESSION SPRINGS
(OD) 0.588 - 0.970

COMPRESSION SPRINGS
(OD) 0.970 - 1.410

COMPRESSION SPRINGS
(OD) 1.410 - 2.820

316 STAINLESS STEEL
COMPRESSION SPRINGS

HEAVY DUTY
COMPRESSION SPRINGS

CONICAL
COMPRESSION SPRINGS

MULTI-WAVE
COMPRESSION SPRINGS

FOR INFORMATION ON ALTERNATIVE FINISHES, SEE PAGE 311



Part Numbers with an "*" are squared and not ground.

316 STAINLESS STEEL

Catalog #	Outside Diameter (OD)		Wire Diameter (d)		Free Length (L) Approx		Load Length (L ₁)		Solid Height (Sh) Approx		Load (P) at L ₁		Spring Rate (R)	
	in	mm	in	mm	in	mm	in	mm	in	mm	lb	N	lb/in	N/mm
	C0210-018-0380-X*	0.210	5.33	0.018	0.46	0.380	9.65	0.227	5.77	0.110	2.79	0.87	3.87	5.66
C0210-018-0440-X*	0.210	5.33	0.018	0.46	0.440	11.18	0.261	6.63	0.120	3.05	0.87	3.87	4.83	0.84
C0210-018-0500-X*	0.210	5.33	0.018	0.46	0.500	12.70	0.296	7.52	0.130	3.30	0.87	3.87	4.25	0.75
C0210-018-0560-X*	0.210	5.33	0.018	0.46	0.560	14.22	0.329	8.36	0.140	3.56	0.87	3.87	3.75	0.67
C0210-018-0620-X*	0.210	5.33	0.018	0.46	0.620	15.75	0.360	9.15	0.150	3.81	0.87	3.87	3.33	0.58
C0210-018-0690-X*	0.210	5.33	0.018	0.46	0.690	17.53	0.401	10.19	0.161	4.09	0.87	3.87	3.00	0.53
C0210-018-0750-X*	0.210	5.33	0.018	0.46	0.750	19.05	0.435	11.05	0.171	4.34	0.87	3.87	2.75	0.49
C0210-018-0810-X*	0.210	5.33	0.018	0.46	0.810	20.57	0.464	11.78	0.181	4.60	0.87	3.87	2.50	0.44
C0210-018-0880-X*	0.210	5.33	0.018	0.46	0.880	22.35	0.509	12.93	0.192	4.88	0.87	3.87	2.33	0.40
C0210-018-1000-X*	0.210	5.33	0.018	0.46	1.000	25.40	0.567	14.40	0.212	5.38	0.87	3.87	2.00	0.35
C0210-018-1250-X*	0.210	5.33	0.018	0.46	1.250	31.75	0.703	17.86	0.253	6.43	0.87	3.87	1.58	0.28
C0210-018-1500-X*	0.210	5.33	0.018	0.46	1.500	38.10	0.851	21.60	0.294	7.47	0.87	3.87	1.33	0.23
C0210-018-1750-X*	0.210	5.33	0.018	0.46	1.750	44.45	1.008	25.60	0.334	8.48	0.87	3.87	1.17	0.21
C0210-018-2000-X*	0.210	5.33	0.018	0.46	2.000	50.80	1.134	28.81	0.375	9.53	0.87	3.87	1.00	0.18
C0210-022-0250-X	0.210	5.33	0.022	0.56	0.250	6.35	0.170	4.33	0.113	2.87	1.56	6.94	19.66	3.45
C0210-022-0310-X	0.210	5.33	0.022	0.56	0.310	7.87	0.207	5.27	0.127	3.23	1.56	6.94	15.24	2.66
C0210-022-0380-X	0.210	5.33	0.022	0.56	0.380	9.65	0.250	6.36	0.143	3.63	1.56	6.94	12.08	2.12
C0210-022-0440-X	0.210	5.33	0.022	0.56	0.440	11.18	0.287	7.30	0.157	3.99	1.56	6.94	10.25	1.80
C0210-022-0500-X	0.210	5.33	0.022	0.56	0.500	12.70	0.325	8.24	0.170	4.32	1.56	6.94	8.91	1.56
C0210-022-0560-X	0.210	5.33	0.022	0.56	0.560	14.22	0.360	9.15	0.184	4.67	1.56	6.94	7.83	1.37
C0210-022-0620-X	0.210	5.33	0.022	0.56	0.620	15.75	0.399	10.14	0.198	5.03	1.56	6.94	7.08	1.24
C0210-022-0690-X	0.210	5.33	0.022	0.56	0.690	17.53	0.440	11.17	0.214	5.44	1.56	6.94	6.25	1.10
C0210-022-0750-X	0.210	5.33	0.022	0.56	0.750	19.05	0.478	12.14	0.228	5.79	1.56	6.94	5.75	1.02
C0210-022-0810-X	0.210	5.33	0.022	0.56	0.810	20.57	0.517	13.12	0.241	6.12	1.56	6.94	5.33	0.93
C0210-022-0880-X	0.210	5.33	0.022	0.56	0.880	22.35	0.556	14.13	0.257	6.53	1.56	6.94	4.83	0.84
C0210-022-1000-X	0.210	5.33	0.022	0.56	1.000	25.40	0.632	16.05	0.285	7.24	1.56	6.94	4.25	0.75
C0210-022-1250-X	0.210	5.33	0.022	0.56	1.250	31.75	0.781	19.83	0.342	8.69	1.56	6.94	3.33	0.58
C0210-022-1500-X	0.210	5.33	0.022	0.56	1.500	38.10	0.931	23.65	0.399	10.13	1.56	6.94	2.75	0.49
C0210-022-1750-X	0.210	5.33	0.022	0.56	1.750	44.45	1.102	28.00	0.456	11.58	1.56	6.94	2.42	0.42
C0210-022-2000-X	0.210	5.33	0.022	0.56	2.000	50.80	1.249	31.72	0.514	13.06	1.56	6.94	2.08	0.37
C0210-026-0250-X	0.210	5.33	0.026	0.66	0.250	6.35	0.180	4.58	0.140	3.56	2.55	11.34	36.74	6.43
C0210-026-0310-X	0.210	5.33	0.026	0.66	0.310	7.87	0.220	5.58	0.159	4.04	2.55	11.34	28.24	4.94
C0210-026-0380-X	0.210	5.33	0.026	0.66	0.380	9.65	0.265	6.73	0.181	4.60	2.55	11.34	22.16	3.89
C0210-026-0440-X	0.210	5.33	0.026	0.66	0.440	11.18	0.304	7.72	0.200	5.08	2.55	11.34	18.74	3.27
C0210-026-0500-X	0.210	5.33	0.026	0.66	0.500	12.70	0.343	8.71	0.219	5.56	2.55	11.34	16.24	2.84
C0210-026-0560-X	0.210	5.33	0.026	0.66	0.560	14.22	0.382	9.70	0.237	6.02	2.55	11.34	14.33	2.50
C0210-026-0620-X	0.210	5.33	0.026	0.66	0.620	15.75	0.421	10.69	0.256	6.50	2.55	11.34	12.83	2.24
C0210-026-0690-X	0.210	5.33	0.026	0.66	0.690	17.53	0.466	11.84	0.278	7.06	2.55	11.34	11.41	2.00
C0210-026-0750-X	0.210	5.33	0.026	0.66	0.750	19.05	0.505	12.82	0.297	7.54	2.55	11.34	10.41	1.82
C0210-026-0810-X	0.210	5.33	0.026	0.66	0.810	20.57	0.543	13.80	0.316	8.03	2.55	11.34	9.58	1.68
C0210-026-0880-X	0.210	5.33	0.026	0.66	0.880	22.35	0.588	14.94	0.338	8.59	2.55	11.34	8.75	1.54
C0210-026-1000-X	0.210	5.33	0.026	0.66	1.000	25.40	0.667	16.94	0.376	9.55	2.55	11.34	7.66	1.35
C0210-026-1250-X	0.210	5.33	0.026	0.66	1.250	31.75	0.830	21.09	0.454	11.53	2.55	11.34	6.08	1.07
C0210-026-1500-X	0.210	5.33	0.026	0.66	1.500	38.10	0.989	25.12	0.533	13.54	2.55	11.34	5.00	0.88
C0210-026-1750-X	0.210	5.33	0.026	0.66	1.750	44.45	1.149	29.19	0.611	15.52	2.55	11.34	4.25	0.75
C0210-026-2000-X	0.210	5.33	0.026	0.66	2.000	50.80	1.319	33.50	0.689	17.50	2.55	11.34	3.75	0.67
D21050X*	0.213	5.40	0.016	0.40	0.413	10.50	0.236	6.00	0.102	2.60	10.01	2.25	2.86	0.50
D21060X*	0.213	5.40	0.016	0.40	0.630	16.00	0.353	8.97	0.134	3.40	10.01	2.25	1.83	0.32
D21070X*	0.213	5.40	0.016	0.40	0.945	24.00	0.523	13.29	0.181	4.60	10.01	2.25	1.20	0.21
D21080X*	0.213	5.40	0.016	0.40	1.378	35.00	0.745	18.93	0.244	6.20	10.01	2.25	0.80	0.14
D21090X*	0.213	5.40	0.016	0.40	2.087	53.00	1.102	28.00	0.339	8.60	10.01	2.25	0.51	0.09
D21250X*	0.217	5.50	0.020	0.50	0.370	9.40	0.233	5.92	0.128	3.25	18.90	4.25	6.97	1.22
D21260X*	0.217	5.50	0.020	0.50	0.551	14.00	0.334	8.48	0.167	4.25	18.90	4.25	4.40	0.77
D21270X*	0.217	5.50	0.020	0.50	0.807	20.50	0.479	12.17	0.226	5.75	18.90	4.25	2.91	0.51
D21280X*	0.217	5.50	0.020	0.50	1.181	30.00	0.689	17.50	0.305	7.75	18.90	4.25	1.94	0.34
D21290X*	0.217	5.50	0.020	0.50	1.752	44.50	0.991	25.18	0.423	10.75	18.90	4.25	1.26	0.22
D21450X*	0.222	5.63	0.025	0.63	0.335	8.50	0.230	5.85	0.161	4.10	36.16	8.13	17.53	3.07
D21460X*	0.222	5.63	0.025	0.63	0.492	12.50	0.329	8.35	0.211	5.36	36.16	8.13	11.19	1.96
D21470X*	0.222	5.63	0.025	0.63	0.728	18.50	0.480	12.20	0.285	7.25	36.16	8.13	7.37	1.29
D21480X*	0.222	5.63	0.025	0.63	1.024	26.00	0.652	16.55	0.385	9.77	36.16	8.13	4.91	0.86
D21490X*	0.222	5.63	0.025	0.63	1.516	38.50	0.964	24.48	0.533	13.55	36.16	8.13	3.31	0.58
D21650X*	0.228	5.80	0.031	0.80	0.327	8.30	0.249	6.33	0.205	5.20	69.75	15.68	45.34	7.94
D21660X*	0.228	5.80	0.031	0.80	0.472	12.00	0.350	8.90	0.268	6.80	69.75	15.68	28.89	5.06
D21670X*	0.228	5.80	0.031	0.80	0.689	17.50	0.500	12.70	0.362	9.20	69.75	15.68	18.67	3.27

316 STAINLESS STEEL

Table with columns: Catalog #, Outside Diameter (OD) in/mm, Wire Diameter (d) in/mm, Free Length (L) Approx in/mm, Load Length (L1) in/mm, Solid Height (Sh) Approx in/mm, Load (P) at L1 lb/N, Spring Rate (R) lb/in/N/mm. Rows include various part numbers like D21680X*, D21690X*, D21850X, etc.

Vertical text on the right side of the page: COMPRESSION SPRINGS (OD) 0.047 - 0.353, COMPRESSION SPRINGS (OD) 0.353 - 0.588, COMPRESSION SPRINGS (OD) 0.588 - 0.970, COMPRESSION SPRINGS (OD) 0.970 - 1.410, COMPRESSION SPRINGS (OD) 1.410 - 2.820, 316 STAINLESS STEEL COMPRESSION SPRINGS, HEAVY DUTY COMPRESSION SPRINGS, CONICAL COMPRESSION SPRINGS, MULTIWAVE COMPRESSION SPRINGS

(OD) 0.240 - 0.240

316 STAINLESS STEEL

Catalog #	Outside Diameter (OD)		Wire Diameter (d)		Free Length (L) Approx		Load Length (L _t)		Solid Height (Sh) Approx		Load (P) at L _t		Spring Rate (R)	
	in	mm	in	mm	in	mm	in	mm	in	mm	lb	N	lb/in	N/mm
C0240-022-0810-X	0.240	6.10	0.022	0.56	0.810	20.57	0.492	12.49	0.198	5.03	1.38	6.14	4.33	0.75
C0240-022-1000-X	0.240	6.10	0.022	0.56	1.000	25.40	0.606	15.39	0.236	5.99	1.38	6.14	3.50	0.61
C0240-022-1250-X	0.240	6.10	0.022	0.56	1.250	31.75	0.749	19.01	0.280	7.11	1.38	6.14	2.75	0.49
C0240-022-1500-X	0.240	6.10	0.022	0.56	1.500	38.10	0.909	23.09	0.325	8.26	1.38	6.14	2.33	0.40
C0240-022-1750-X	0.240	6.10	0.022	0.56	1.750	44.45	1.060	26.94	0.369	9.37	1.38	6.14	2.00	0.35
C0240-022-2000-X	0.240	6.10	0.022	0.56	2.000	50.80	1.212	30.78	0.413	10.49	1.38	6.14	1.75	0.32
C0240-024-0380-X	0.240	6.10	0.024	0.61	0.380	9.65	0.248	6.30	0.142	3.61	1.78	7.92	13.49	2.36
C0240-024-0440-X	0.240	6.10	0.024	0.61	0.440	11.18	0.284	7.21	0.155	3.94	1.78	7.92	11.41	2.00
C0240-024-0500-X	0.240	6.10	0.024	0.61	0.500	12.70	0.320	8.13	0.168	4.27	1.78	7.92	9.91	1.73
C0240-024-0560-X	0.240	6.10	0.024	0.61	0.560	14.22	0.356	9.05	0.180	4.57	1.78	7.92	8.75	1.54
C0240-024-0620-X	0.240	6.10	0.024	0.61	0.620	15.75	0.392	9.97	0.193	4.90	1.78	7.92	7.83	1.37
C0240-024-0690-X	0.240	6.10	0.024	0.61	0.690	17.53	0.435	11.06	0.208	5.28	1.78	7.92	7.00	1.23
C0240-024-0750-X	0.240	6.10	0.024	0.61	0.750	19.05	0.469	11.90	0.221	5.61	1.78	7.92	6.33	1.10
C0240-024-0810-X	0.240	6.10	0.024	0.61	0.810	20.57	0.504	12.81	0.233	5.92	1.78	7.92	5.83	1.02
C0240-024-0880-X	0.240	6.10	0.024	0.61	0.880	22.35	0.546	13.86	0.248	6.30	1.78	7.92	5.33	0.93
C0240-024-1000-X	0.240	6.10	0.024	0.61	1.000	25.40	0.618	15.70	0.274	6.96	1.78	7.92	4.66	0.82
C0240-024-1250-X	0.240	6.10	0.024	0.61	1.250	31.75	0.775	19.68	0.327	8.31	1.78	7.92	3.75	0.67
C0240-024-1500-X	0.240	6.10	0.024	0.61	1.500	38.10	0.922	23.42	0.379	9.63	1.78	7.92	3.08	0.54
C0240-024-1750-X	0.240	6.10	0.024	0.61	1.750	44.45	1.082	27.47	0.432	10.97	1.78	7.92	2.67	0.47
C0240-024-2000-X	0.240	6.10	0.024	0.61	2.000	50.80	1.208	30.68	0.485	12.32	1.78	7.92	2.25	0.40
C0240-026-0310-X	0.240	6.10	0.026	0.66	0.310	7.87	0.216	5.48	0.138	3.51	2.25	10.01	23.91	4.19
C0240-026-0380-X	0.240	6.10	0.026	0.66	0.380	9.65	0.264	6.70	0.143	3.63	2.25	10.01	19.41	3.40
C0240-026-0440-X	0.240	6.10	0.026	0.66	0.440	11.18	0.304	7.72	0.156	3.96	2.25	10.01	16.58	2.91
C0240-026-0500-X	0.240	6.10	0.026	0.66	0.500	12.70	0.344	8.75	0.169	4.29	2.25	10.01	14.49	2.54
C0240-026-0560-X	0.240	6.10	0.026	0.66	0.560	14.22	0.376	9.55	0.188	4.78	2.25	10.01	12.25	2.15
C0240-026-0620-X	0.240	6.10	0.026	0.66	0.620	15.75	0.407	10.33	0.208	5.28	2.25	10.01	10.58	1.86
C0240-026-0690-X	0.240	6.10	0.026	0.66	0.690	17.53	0.446	11.33	0.228	5.79	2.25	10.01	9.25	1.63
C0240-026-0750-X	0.240	6.10	0.026	0.66	0.750	19.05	0.479	12.18	0.246	6.25	2.25	10.01	8.33	1.45
C0240-026-0810-X	0.240	6.10	0.026	0.66	0.810	20.57	0.519	13.18	0.260	6.60	2.25	10.01	7.75	1.37
C0240-026-0880-X	0.240	6.10	0.026	0.66	0.880	22.35	0.558	14.17	0.281	7.14	2.25	10.01	7.00	1.23
C0240-026-1000-X	0.240	6.10	0.026	0.66	1.000	25.40	0.634	16.11	0.313	7.95	2.25	10.01	6.16	1.09
C0240-026-1250-X	0.240	6.10	0.026	0.66	1.250	31.75	0.791	20.10	0.375	9.53	2.25	10.01	4.91	0.86
C0240-026-1500-X	0.240	6.10	0.026	0.66	1.500	38.10	0.948	24.07	0.437	11.10	2.25	10.01	4.08	0.72
C0240-026-1750-X	0.240	6.10	0.026	0.66	1.750	44.45	1.090	27.68	0.499	12.67	2.25	10.01	3.42	0.60
C0240-026-2000-X	0.240	6.10	0.026	0.66	2.000	50.80	1.248	31.70	0.561	14.25	2.25	10.01	3.00	0.53
C0240-029-0380-X	0.240	6.10	0.029	0.74	0.380	9.65	0.263	6.69	0.185	4.70	3.11	13.83	26.66	4.68
C0240-029-0440-X	0.240	6.10	0.029	0.74	0.440	11.18	0.302	7.67	0.203	5.16	3.11	13.83	22.49	3.94
C0240-029-0500-X	0.240	6.10	0.029	0.74	0.500	12.70	0.340	8.64	0.221	5.61	3.11	13.83	19.41	3.40
C0240-029-0560-X	0.240	6.10	0.029	0.74	0.560	14.22	0.379	9.63	0.240	6.10	3.11	13.83	17.16	3.01
C0240-029-0620-X	0.240	6.10	0.029	0.74	0.620	15.75	0.417	10.60	0.258	6.55	3.11	13.83	15.33	2.68
C0240-029-0690-X	0.240	6.10	0.029	0.74	0.690	17.53	0.461	11.72	0.279	7.09	3.11	13.83	13.58	2.38
C0240-029-0750-X	0.240	6.10	0.029	0.74	0.750	19.05	0.500	12.69	0.298	7.57	3.11	13.83	12.41	2.17
C0240-029-0810-X	0.240	6.10	0.029	0.74	0.810	20.57	0.538	13.66	0.316	8.03	3.11	13.83	11.41	2.00
C0240-029-0880-X	0.240	6.10	0.029	0.74	0.880	22.35	0.584	14.84	0.337	8.56	3.11	13.83	10.50	1.84
C0240-029-0940-X	0.240	6.10	0.029	0.74	0.940	23.88	0.621	15.78	0.355	9.02	3.11	13.83	9.75	1.72
C0240-029-1000-X	0.240	6.10	0.029	0.74	1.000	25.40	0.661	16.79	0.374	9.50	3.11	13.83	9.16	1.61
C0240-029-1120-X	0.240	6.10	0.029	0.74	1.120	28.45	0.736	18.69	0.410	10.41	3.11	13.83	8.08	1.42
C0240-029-1250-X	0.240	6.10	0.029	0.74	1.250	31.75	0.821	20.87	0.450	11.43	3.11	13.83	7.25	1.28
C0240-029-1380-X	0.240	6.10	0.029	0.74	1.380	35.05	0.902	22.91	0.489	12.42	3.11	13.83	6.50	1.14
C0240-029-1500-X	0.240	6.10	0.029	0.74	1.500	38.10	0.982	24.95	0.526	13.36	3.11	13.83	6.00	1.05
C0240-029-1750-X	0.240	6.10	0.029	0.74	1.750	44.45	1.139	28.93	0.602	15.29	3.11	13.83	5.08	0.89
C0240-029-2000-X	0.240	6.10	0.029	0.74	2.000	50.80	1.297	32.93	0.678	17.22	3.11	13.83	4.41	0.77
C0240-032-0310-X	0.240	6.10	0.032	0.81	0.310	7.87	0.232	5.90	0.167	4.24	4.14	18.42	53.15	9.32
C0240-032-0380-X	0.240	6.10	0.032	0.81	0.380	9.65	0.288	7.31	0.184	4.67	4.14	18.42	44.82	7.85
C0240-032-0440-X	0.240	6.10	0.032	0.81	0.440	11.18	0.325	8.25	0.209	5.31	4.14	18.42	35.99	6.30
C0240-032-0500-X	0.240	6.10	0.032	0.81	0.500	12.70	0.365	9.27	0.232	5.89	4.14	18.42	30.65	5.38
C0240-032-0560-X	0.240	6.10	0.032	0.81	0.560	14.22	0.404	10.27	0.255	6.48	4.14	18.42	26.57	4.66
C0240-032-0620-X	0.240	6.10	0.032	0.81	0.620	15.75	0.442	11.24	0.279	7.09	4.14	18.42	23.32	4.08
C0240-032-0690-X	0.240	6.10	0.032	0.81	0.690	17.53	0.491	12.48	0.303	7.70	4.14	18.42	20.83	3.64
C0240-032-0750-X	0.240	6.10	0.032	0.81	0.750	19.05	0.523	13.29	0.335	8.51	4.14	18.42	18.24	3.19
C0240-032-0810-X	0.240	6.10	0.032	0.81	0.810	20.57	0.561	14.26	0.359	9.12	4.14	18.42	16.66	2.92
C0240-032-0880-X	0.240	6.10	0.032	0.81	0.880	22.35	0.610	15.49	0.384	9.75	4.14	18.42	15.33	2.68
C0240-032-0940-X	0.240	6.10	0.032	0.81	0.940	23.88	0.649	16.49	0.407	10.34	4.14	18.42	14.24	2.49
C0240-032-1000-X	0.240	6.10	0.032	0.81	1.000	25.40	0.687	17.46	0.431	10.95	4.14	18.42	13.24	2.31

316 STAINLESS STEEL

Catalog #	Outside Diameter (OD)		Wire Diameter (d)		Free Length (L) Approx		Load Length (L _f)		Solid Height (Sh) Approx		Load (P) at L _f		Spring Rate (R)	
	in	mm	in	mm	in	mm	in	mm	in	mm	lb	N	lb/in	N/mm
C0240-042-0380-X	0.240	6.10	0.042	1.07	0.380	9.65	0.309	7.86	0.272	6.91	8.89	39.54	125.78	22.03
C0240-042-0440-X	0.240	6.10	0.042	1.07	0.440	11.18	0.353	8.97	0.310	7.87	8.89	39.54	102.46	17.95
C0240-042-0500-X	0.240	6.10	0.042	1.07	0.500	12.70	0.399	10.14	0.343	8.71	8.89	39.54	88.30	15.46
C0240-042-0560-X	0.240	6.10	0.042	1.07	0.560	14.22	0.446	11.34	0.373	9.47	8.89	39.54	78.30	13.71
C0240-042-0620-X	0.240	6.10	0.042	1.07	0.620	15.75	0.494	12.56	0.401	10.19	8.89	39.54	70.81	12.40
C0240-042-0690-X	0.240	6.10	0.042	1.07	0.690	17.53	0.548	13.91	0.441	11.20	8.89	39.54	62.48	10.95
C0240-042-0750-X	0.240	6.10	0.042	1.07	0.750	19.05	0.583	14.81	0.499	12.67	8.89	39.54	53.31	9.33
C0240-042-0810-X	0.240	6.10	0.042	1.07	0.810	20.57	0.632	16.06	0.525	13.34	8.89	39.54	49.98	8.76
C0240-042-0880-X	0.240	6.10	0.042	1.07	0.880	22.35	0.689	17.51	0.556	14.12	8.89	39.54	46.65	8.18
C0240-042-0940-X	0.240	6.10	0.042	1.07	0.940	23.88	0.731	18.56	0.600	15.24	8.89	39.54	42.48	7.44
C0240-042-1000-X	0.240	6.10	0.042	1.07	1.000	25.40	0.778	19.75	0.631	16.03	8.89	39.54	39.98	7.01
C0240-042-1120-X	0.240	6.10	0.042	1.07	1.120	28.45	0.869	22.07	0.699	17.75	8.89	39.54	35.40	6.20
C0240-042-1250-X	0.240	6.10	0.042	1.07	1.250	31.75	0.965	24.52	0.778	19.76	8.89	39.54	31.24	5.46
C0240-042-1380-X	0.240	6.10	0.042	1.07	1.380	35.05	1.066	27.08	0.847	21.51	8.89	39.54	28.32	4.96
C0240-042-1500-X	0.240	6.10	0.042	1.07	1.500	38.10	1.150	29.21	0.933	23.70	8.89	39.54	25.41	4.45
C0240-042-1750-X	0.240	6.10	0.042	1.07	1.750	44.45	1.347	34.22	1.040	26.42	8.89	39.54	22.07	3.87
C0240-042-2000-X	0.240	6.10	0.042	1.07	2.000	50.80	1.536	39.01	1.177	29.90	8.89	39.54	19.16	3.36
C0240-042-2250-X	0.240	6.10	0.042	1.07	2.250	57.15	1.727	43.86	1.314	33.38	8.89	39.54	16.99	2.98
C0240-042-2500-X	0.240	6.10	0.042	1.07	2.500	63.50	1.917	48.68	1.452	36.88	8.89	39.54	15.24	2.66
C0240-045-0440-X	0.240	6.10	0.045	1.14	0.440	11.18	0.366	9.29	0.326	8.28	10.82	48.13	145.69	25.52
C0240-045-0500-X	0.240	6.10	0.045	1.14	0.500	12.70	0.413	10.49	0.361	9.17	10.82	48.13	124.37	21.79
C0240-045-0560-X	0.240	6.10	0.045	1.14	0.560	14.22	0.460	11.69	0.396	10.06	10.82	48.13	108.46	19.00
C0240-045-0620-X	0.240	6.10	0.045	1.14	0.620	15.75	0.507	12.89	0.436	11.07	10.82	48.13	96.21	16.85
C0240-045-0690-X	0.240	6.10	0.045	1.14	0.690	17.53	0.563	14.29	0.477	12.12	10.82	48.13	84.97	14.89
C0240-045-0750-X	0.240	6.10	0.045	1.14	0.750	19.05	0.610	15.49	0.516	13.11	10.82	48.13	77.22	13.52
C0240-045-0810-X	0.240	6.10	0.045	1.14	0.810	20.57	0.657	16.69	0.551	14.00	10.82	48.13	70.81	12.40
C0240-045-0880-X	0.240	6.10	0.045	1.14	0.880	22.35	0.712	18.09	0.594	15.09	10.82	48.13	64.56	11.31
C0240-045-1000-X	0.240	6.10	0.045	1.14	1.000	25.40	0.807	20.50	0.667	16.94	10.82	48.13	56.06	9.82
C0240-045-1250-X	0.240	6.10	0.045	1.14	1.250	31.75	1.004	25.50	0.813	20.65	10.82	48.13	43.98	7.71
C0240-045-1500-X	0.240	6.10	0.045	1.14	1.500	38.10	1.201	30.50	0.959	24.36	10.82	48.13	36.15	6.34
C0240-045-1750-X	0.240	6.10	0.045	1.14	1.750	44.45	1.398	35.51	1.105	28.07	10.82	48.13	30.74	5.38
C0240-045-2000-X	0.240	6.10	0.045	1.14	2.000	50.80	1.594	40.49	1.251	31.78	10.82	48.13	26.66	4.68
C0240-045-2250-X	0.240	6.10	0.045	1.14	2.250	57.15	1.791	45.49	1.397	35.48	10.82	48.13	23.57	4.13
C0240-045-2500-X	0.240	6.10	0.045	1.14	2.500	63.50	1.988	50.51	1.543	39.19	10.82	48.13	21.16	3.71
D21300X*	0.268	6.80	0.020	0.50	0.531	13.50	0.307	7.81	0.128	3.25	15.44	3.47	3.48	0.61
D21310X*	0.268	6.80	0.020	0.50	0.787	20.00	0.428	10.87	0.167	4.25	15.44	3.47	2.17	0.38
D21320X*	0.268	6.80	0.020	0.50	1.181	30.00	0.635	16.12	0.226	5.75	15.44	3.47	1.43	0.25
D21330X*	0.268	6.80	0.020	0.50	1.732	44.00	0.929	23.59	0.305	7.75	15.44	3.47	0.97	0.17
D21340X*	0.268	6.80	0.020	0.50	2.559	65.00	1.420	36.08	0.423	10.75	15.44	3.47	0.69	0.12
D21500X*	0.273	6.93	0.025	0.63	0.453	11.50	0.280	7.11	0.161	4.10	29.71	6.68	8.68	1.52
D21510X*	0.273	6.93	0.025	0.63	0.669	17.00	0.398	10.11	0.211	5.36	29.71	6.68	5.54	0.97
D21520X*	0.273	6.93	0.025	0.63	1.004	25.50	0.587	14.90	0.285	7.25	29.71	6.68	3.60	0.63
D21530X*	0.273	6.93	0.025	0.63	1.437	36.50	0.811	20.60	0.385	9.77	29.71	6.68	2.40	0.42
D21540X*	0.273	6.93	0.025	0.63	2.126	54.00	1.187	30.14	0.533	13.55	29.71	6.68	1.60	0.28
D21700X*	0.280	7.10	0.031	0.80	0.413	10.50	0.284	7.22	0.205	5.20	57.87	13.01	22.67	3.97
D21710X*	0.280	7.10	0.031	0.80	0.610	15.50	0.407	10.34	0.268	6.80	57.87	13.01	14.39	2.52
D21720X*	0.280	7.10	0.031	0.80	0.906	23.00	0.591	15.02	0.362	9.20	57.87	13.01	9.31	1.63
D21730X*	0.280	7.10	0.031	0.80	1.299	33.00	0.838	21.28	0.488	12.40	57.87	13.01	6.34	1.11
D21740X*	0.280	7.10	0.031	0.80	1.890	48.00	1.207	30.65	0.677	17.20	57.87	13.01	4.28	0.75
D21900X	0.287	7.30	0.039	1.00	0.394	10.00	0.296	7.52	0.217	5.50	106.49	23.94	55.05	9.64
D21910X	0.287	7.30	0.039	1.00	0.571	14.50	0.418	10.61	0.295	7.50	106.49	23.94	35.17	6.16
D21920X	0.287	7.30	0.039	1.00	0.846	21.50	0.610	15.50	0.413	10.50	106.49	23.94	22.78	3.99
D21930X	0.287	7.30	0.039	1.00	1.201	30.50	0.854	21.70	0.571	14.50	106.49	23.94	15.53	2.72
D21940X	0.287	7.30	0.039	1.00	1.713	43.50	1.198	30.42	0.807	20.50	106.49	23.94	10.45	1.83
D22100X	0.297	7.55	0.049	1.25	0.472	12.00	0.402	10.21	0.271	6.88	193.05	43.40	138.07	24.18
D22110X	0.297	7.55	0.049	1.25	0.669	17.00	0.556	14.11	0.369	9.38	193.05	43.40	85.82	15.03
D22120X	0.297	7.55	0.049	1.25	0.984	25.00	0.810	20.57	0.517	13.13	193.05	43.40	55.96	9.80
D22130X	0.297	7.55	0.049	1.25	1.398	35.50	1.144	29.06	0.714	18.13	193.05	43.40	38.49	6.74
D22140X	0.297	7.55	0.049	1.25	2.028	51.50	1.647	41.83	1.009	25.63	193.05	43.40	25.64	4.49
C0300-022-0380-X	0.300	7.62	0.022	0.56	0.380	9.65	0.232	5.88	0.100	2.54	1.11	4.94	7.50	1.31
C0300-022-0440-X	0.300	7.62	0.022	0.56	0.440	11.18	0.264	6.71	0.106	2.69	1.11	4.94	6.33	1.10
C0300-022-0500-X	0.300	7.62	0.022	0.56	0.500	12.70	0.298	7.56	0.109	2.77	1.11	4.94	5.50	0.96
C0300-022-0560-X	0.300	7.62	0.022	0.56	0.560	14.22	0.334	8.47	0.115	2.92	1.11	4.94	4.91	0.86
C0300-022-0620-X	0.300	7.62	0.022	0.56	0.620	15.75	0.353	8.96	0.126	3.20	1.11	4.94	4.17	0.74



316 STAINLESS STEEL

Catalog #	Outside Diameter (OD)		Wire Diameter (d)		Free Length (L) Approx		Load Length (L _c)		Solid Height (Sh) Approx		Load (P) at L _c		Spring Rate (R)	
	in	mm	in	mm	in	mm	in	mm	in	mm	lb	N	lb/in	N/mm
C0300-022-0690-X	0.300	7.62	0.022	0.56	0.690	17.53	0.406	10.30	0.131	3.33	1.11	4.94	3.92	0.68
C0300-022-0750-X	0.300	7.62	0.022	0.56	0.750	19.05	0.424	10.77	0.142	3.61	1.11	4.94	3.42	0.60
C0300-022-0810-X	0.300	7.62	0.022	0.56	0.810	20.57	0.458	11.64	0.149	3.78	1.11	4.94	3.17	0.56
C0300-022-0880-X	0.300	7.62	0.022	0.56	0.880	22.35	0.509	12.92	0.154	3.91	1.11	4.94	3.00	0.53
C0300-022-1000-X	0.300	7.62	0.022	0.56	1.000	25.40	0.582	14.79	0.175	4.45	1.11	4.94	2.67	0.47
C0300-022-1250-X	0.300	7.62	0.022	0.56	1.250	31.75	0.715	18.17	0.204	5.18	1.11	4.94	2.08	0.37
C0300-022-1500-X	0.300	7.62	0.022	0.56	1.500	38.10	0.864	21.94	0.232	5.89	1.11	4.94	1.75	0.32
C0300-022-1750-X	0.300	7.62	0.022	0.56	1.750	44.45	1.008	25.59	0.261	6.63	1.11	4.94	1.50	0.26
C0300-022-2000-X	0.300	7.62	0.022	0.56	2.000	50.80	1.109	28.17	0.289	7.34	1.11	4.94	1.25	0.23
C0300-022-2250-X	0.300	7.62	0.022	0.56	2.250	57.15	1.295	32.91	0.308	7.82	1.11	4.94	1.17	0.21
C0300-022-2500-X	0.300	7.62	0.022	0.56	2.500	63.50	1.472	37.39	0.334	8.48	1.11	4.94	1.08	0.19
C0300-026-0440-X	0.300	7.62	0.026	0.66	0.440	11.18	0.275	6.99	0.130	3.30	1.83	8.14	11.08	1.94
C0300-026-0500-X	0.300	7.62	0.026	0.66	0.500	12.70	0.303	7.69	0.143	3.63	1.83	8.14	9.25	1.63
C0300-026-0560-X	0.300	7.62	0.026	0.66	0.560	14.22	0.347	8.82	0.148	3.76	1.83	8.14	8.58	1.51
C0300-026-0620-X	0.300	7.62	0.026	0.66	0.620	15.75	0.374	9.50	0.162	4.11	1.83	8.14	7.41	1.30
C0300-026-0690-X	0.300	7.62	0.026	0.66	0.690	17.53	0.409	10.39	0.176	4.47	1.83	8.14	6.50	1.14
C0300-026-0750-X	0.300	7.62	0.026	0.66	0.750	19.05	0.454	11.53	0.182	4.62	1.83	8.14	6.16	1.09
C0300-026-0810-X	0.300	7.62	0.026	0.66	0.810	20.57	0.483	12.27	0.194	4.93	1.83	8.14	5.58	0.98
C0300-026-0880-X	0.300	7.62	0.026	0.66	0.880	22.35	0.521	13.23	0.206	5.23	1.83	8.14	5.08	0.89
C0300-026-0940-X	0.300	7.62	0.026	0.66	0.940	23.88	0.542	13.76	0.222	5.64	1.83	8.14	4.58	0.81
C0300-026-1000-X	0.300	7.62	0.026	0.66	1.000	25.40	0.570	14.49	0.234	5.94	1.83	8.14	4.25	0.75
C0300-026-1250-X	0.300	7.62	0.026	0.66	1.250	31.75	0.740	18.81	0.272	6.91	1.83	8.14	3.58	0.63
C0300-026-1500-X	0.300	7.62	0.026	0.66	1.500	38.10	0.874	22.20	0.313	7.95	1.83	8.14	2.92	0.51
C0300-026-1750-X	0.300	7.62	0.026	0.66	1.750	44.45	1.020	25.90	0.354	8.99	1.83	8.14	2.50	0.44
C0300-026-2000-X	0.300	7.62	0.026	0.66	2.000	50.80	1.157	29.40	0.394	10.01	1.83	8.14	2.17	0.39
C0300-026-2250-X	0.300	7.62	0.026	0.66	2.250	57.15	1.374	34.89	0.416	10.57	1.83	8.14	2.08	0.37
C0300-026-2500-X	0.300	7.62	0.026	0.66	2.500	63.50	1.504	38.20	0.455	11.56	1.83	8.14	1.83	0.32
C0300-030-0440-X	0.300	7.62	0.030	0.76	0.440	11.18	0.285	7.23	0.172	4.37	2.78	12.37	17.91	3.13
C0300-030-0500-X	0.300	7.62	0.030	0.76	0.500	12.70	0.320	8.14	0.185	4.70	2.78	12.37	15.49	2.71
C0300-030-0560-X	0.300	7.62	0.030	0.76	0.560	14.22	0.356	9.05	0.198	5.03	2.78	12.37	13.66	2.40
C0300-030-0620-X	0.300	7.62	0.030	0.76	0.620	15.75	0.391	9.93	0.212	5.38	2.78	12.37	12.16	2.14
C0300-030-0690-X	0.300	7.62	0.030	0.76	0.690	17.53	0.433	11.00	0.227	5.77	2.78	12.37	10.83	1.89
C0300-030-0750-X	0.300	7.62	0.030	0.76	0.750	19.05	0.469	11.92	0.240	6.10	2.78	12.37	9.91	1.73
C0300-030-0810-X	0.300	7.62	0.030	0.76	0.810	20.57	0.503	12.79	0.253	6.43	2.78	12.37	9.08	1.59
C0300-030-0880-X	0.300	7.62	0.030	0.76	0.880	22.35	0.546	13.86	0.268	6.81	2.78	12.37	8.33	1.45
C0300-030-0940-X	0.300	7.62	0.030	0.76	0.940	23.88	0.581	14.75	0.281	7.14	2.78	12.37	7.75	1.37
C0300-030-1000-X	0.300	7.62	0.030	0.76	1.000	25.40	0.616	15.64	0.294	7.47	2.78	12.37	7.25	1.28
C0300-030-1250-X	0.300	7.62	0.030	0.76	1.250	31.75	0.766	19.45	0.348	8.84	2.78	12.37	5.75	1.02
C0300-030-1500-X	0.300	7.62	0.030	0.76	1.500	38.10	0.914	23.21	0.402	10.21	2.78	12.37	4.75	0.84
C0300-030-1750-X	0.300	7.62	0.030	0.76	1.750	44.45	1.054	26.77	0.457	11.61	2.78	12.37	4.00	0.70
C0300-030-2000-X	0.300	7.62	0.030	0.76	2.000	50.80	1.204	30.59	0.511	12.98	2.78	12.37	3.50	0.61
C0300-030-2250-X	0.300	7.62	0.030	0.76	2.250	57.15	1.347	34.21	0.565	14.35	2.78	12.37	3.08	0.54
C0300-030-2500-X	0.300	7.62	0.030	0.76	2.500	63.50	1.517	38.53	0.619	15.72	2.78	12.37	2.83	0.49
C0300-032-0440-X	0.300	7.62	0.032	0.81	0.440	11.18	0.292	7.42	0.175	4.45	3.37	14.99	22.74	3.98
C0300-032-0500-X	0.300	7.62	0.032	0.81	0.500	12.70	0.329	8.35	0.190	4.83	3.37	14.99	19.66	3.45
C0300-032-0560-X	0.300	7.62	0.032	0.81	0.560	14.22	0.362	9.19	0.208	5.28	3.37	14.99	16.99	2.98
C0300-032-0620-X	0.300	7.62	0.032	0.81	0.620	15.75	0.398	10.11	0.223	5.66	3.37	14.99	15.16	2.66
C0300-032-0690-X	0.300	7.62	0.032	0.81	0.690	17.53	0.442	11.23	0.240	6.10	3.37	14.99	13.58	2.38
C0300-032-0750-X	0.300	7.62	0.032	0.81	0.750	19.05	0.479	12.16	0.255	6.48	3.37	14.99	12.41	2.17
C0300-032-0810-X	0.300	7.62	0.032	0.81	0.810	20.57	0.513	13.03	0.272	6.91	3.37	14.99	11.33	1.98
C0300-032-0880-X	0.300	7.62	0.032	0.81	0.880	22.35	0.559	14.21	0.287	7.29	3.37	14.99	10.50	1.84
C0300-032-0940-X	0.300	7.62	0.032	0.81	0.940	23.88	0.582	14.79	0.311	7.90	3.37	14.99	9.41	1.65
C0300-032-1000-X	0.300	7.62	0.032	0.81	1.000	25.40	0.619	15.72	0.326	8.28	3.37	14.99	8.83	1.54
C0300-032-1250-X	0.300	7.62	0.032	0.81	1.250	31.75	0.780	19.82	0.388	9.86	3.37	14.99	7.16	1.26
C0300-032-1500-X	0.300	7.62	0.032	0.81	1.500	38.10	0.931	23.64	0.450	11.43	3.37	14.99	5.91	1.03
C0300-032-1750-X	0.300	7.62	0.032	0.81	1.750	44.45	1.077	27.34	0.511	12.98	3.37	14.99	5.00	0.88
C0300-032-2000-X	0.300	7.62	0.032	0.81	2.000	50.80	1.238	31.44	0.573	14.55	3.37	14.99	4.41	0.77
C0300-032-2250-X	0.300	7.62	0.032	0.81	2.250	57.15	1.425	36.20	0.608	15.44	3.37	14.99	4.08	0.72
C0300-032-2500-X	0.300	7.62	0.032	0.81	2.500	63.50	1.582	40.17	0.656	16.66	3.37	14.99	3.67	0.65
C0300-035-0380-X	0.300	7.62	0.035	0.89	0.380	9.65	0.266	6.75	0.193	4.90	4.38	19.48	38.32	6.71
C0300-035-0440-X	0.300	7.62	0.035	0.89	0.440	11.18	0.303	7.71	0.210	5.33	4.38	19.48	32.07	5.62
C0300-035-0500-X	0.300	7.62	0.035	0.89	0.500	12.70	0.342	8.68	0.227	5.77	4.38	19.48	27.66	4.85
C0300-035-0560-X	0.300	7.62	0.035	0.89	0.560	14.22	0.379	9.64	0.244	6.20	4.38	19.48	24.24	4.24
C0300-035-0620-X	0.300	7.62	0.035	0.89	0.620	15.75	0.417	10.59	0.262	6.65	4.38	19.48	21.57	3.78

COMPRESSION SPRINGS (OD) 0.047 - 0.353

COMPRESSION SPRINGS (OD) 0.353 - 0.588

COMPRESSION SPRINGS (OD) 0.588 - 0.970

COMPRESSION SPRINGS (OD) 0.970 - 1.410

COMPRESSION SPRINGS (OD) 1.410 - 2.820

316 STAINLESS STEEL COMPRESSION SPRINGS

HEAVY DUTY COMPRESSION SPRINGS

CONICAL COMPRESSION SPRINGS

MULTI-WAVE COMPRESSION SPRINGS

316 STAINLESS STEEL

Catalog #	Outside Diameter (OD)		Wire Diameter (d)		Free Length (L) Approx		Load Length (L _f)		Solid Height (Sh) Approx		Load (P) at L _f		Spring Rate (R)	
	in	mm	in	mm	in	mm	in	mm	in	mm	lb	N	lb/in	N/mm
C0300-035-0690-X	0.300	7.62	0.035	0.89	0.690	17.53	0.461	11.72	0.281	7.14	4.38	19.48	19.16	3.36
C0300-035-0750-X	0.300	7.62	0.035	0.89	0.750	19.05	0.500	12.69	0.298	7.57	4.38	19.48	17.49	3.06
C0300-035-0810-X	0.300	7.62	0.035	0.89	0.810	20.57	0.538	13.66	0.316	8.03	4.38	19.48	16.08	2.82
C0300-035-0880-X	0.300	7.62	0.035	0.89	0.880	22.35	0.581	14.77	0.335	8.51	4.38	19.48	14.66	2.57
C0300-035-0940-X	0.300	7.62	0.035	0.89	0.940	23.88	0.619	15.73	0.353	8.97	4.38	19.48	13.66	2.40
C0300-035-1000-X	0.300	7.62	0.035	0.89	1.000	25.40	0.656	16.67	0.370	9.40	4.38	19.48	12.74	2.22
C0300-035-1120-X	0.300	7.62	0.035	0.89	1.120	28.45	0.733	18.63	0.404	10.26	4.38	19.48	11.33	1.98
C0300-035-1250-X	0.300	7.62	0.035	0.89	1.250	31.75	0.816	20.72	0.441	11.20	4.38	19.48	10.08	1.77
C0300-035-1380-X	0.300	7.62	0.035	0.89	1.380	35.05	0.898	22.80	0.478	12.14	4.38	19.48	9.08	1.59
C0300-035-1500-X	0.300	7.62	0.035	0.89	1.500	38.10	0.974	24.75	0.512	13.00	4.38	19.48	8.33	1.45
C0300-035-1750-X	0.300	7.62	0.035	0.89	1.750	44.45	1.132	28.74	0.583	14.81	4.38	19.48	7.08	1.24
C0300-035-2000-X	0.300	7.62	0.035	0.89	2.000	50.80	1.290	32.76	0.654	16.61	4.38	19.48	6.16	1.09
C0300-035-2250-X	0.300	7.62	0.035	0.89	2.250	57.15	1.441	36.61	0.725	18.42	4.38	19.48	5.41	0.95
C0300-035-2500-X	0.300	7.62	0.035	0.89	2.500	63.50	1.609	40.87	0.796	20.22	4.38	19.48	4.91	0.86
C0300-038-0380-X	0.300	7.62	0.038	0.97	0.380	9.65	0.276	7.02	0.197	5.00	5.57	24.78	53.73	9.40
C0300-038-0440-X	0.300	7.62	0.038	0.97	0.440	11.18	0.315	8.00	0.218	5.54	5.57	24.78	44.57	7.81
C0300-038-0500-X	0.300	7.62	0.038	0.97	0.500	12.70	0.356	9.04	0.237	6.02	5.57	24.78	38.65	6.78
C0300-038-0560-X	0.300	7.62	0.038	0.97	0.560	14.22	0.388	9.85	0.265	6.73	5.57	24.78	32.32	5.66
C0300-038-0620-X	0.300	7.62	0.038	0.97	0.620	15.75	0.428	10.88	0.284	7.21	5.57	24.78	29.07	5.10
C0300-038-0690-X	0.300	7.62	0.038	0.97	0.690	17.53	0.469	11.92	0.313	7.95	5.57	24.78	25.24	4.41
C0300-038-0750-X	0.300	7.62	0.038	0.97	0.750	19.05	0.510	12.96	0.331	8.41	5.57	24.78	23.24	4.06
C0300-038-0810-X	0.300	7.62	0.038	0.97	0.810	20.57	0.551	13.99	0.351	8.92	5.57	24.78	21.49	3.77
C0300-038-0880-X	0.300	7.62	0.038	0.97	0.880	22.35	0.592	15.03	0.379	9.63	5.57	24.78	19.33	3.38
C0300-038-0940-X	0.300	7.62	0.038	0.97	0.940	23.88	0.633	16.09	0.398	10.11	5.57	24.78	18.16	3.19
C0300-038-1000-X	0.300	7.62	0.038	0.97	1.000	25.40	0.674	17.12	0.417	10.59	5.57	24.78	17.08	2.99
C0300-038-1120-X	0.300	7.62	0.038	0.97	1.120	28.45	0.755	19.17	0.456	11.58	5.57	24.78	15.24	2.66
C0300-038-1250-X	0.300	7.62	0.038	0.97	1.250	31.75	0.847	21.52	0.493	12.52	5.57	24.78	13.83	2.42
C0300-038-1380-X	0.300	7.62	0.038	0.97	1.380	35.05	0.937	23.80	0.532	13.51	5.57	24.78	12.58	2.21
C0300-038-1500-X	0.300	7.62	0.038	0.97	1.500	38.10	1.019	25.88	0.570	14.48	5.57	24.78	11.58	2.03
C0300-038-1750-X	0.300	7.62	0.038	0.97	1.750	44.45	1.153	29.29	0.680	17.27	5.57	24.78	9.33	1.63
C0300-038-2000-X	0.300	7.62	0.038	0.97	2.000	50.80	1.311	33.29	0.765	19.43	5.57	24.78	8.08	1.42
C0300-038-2250-X	0.300	7.62	0.038	0.97	2.250	57.15	1.507	38.28	0.806	20.47	5.57	24.78	7.50	1.31
C0300-038-2500-X	0.300	7.62	0.038	0.97	2.500	63.50	1.685	42.79	0.874	22.20	5.57	24.78	6.83	1.19
C0300-040-0380-X	0.300	7.62	0.040	1.02	0.380	9.65	0.277	7.04	0.231	5.87	6.47	28.78	62.89	11.02
C0300-040-0440-X	0.300	7.62	0.040	1.02	0.440	11.18	0.317	8.04	0.253	6.43	6.47	28.78	52.40	9.18
C0300-040-0500-X	0.300	7.62	0.040	1.02	0.500	12.70	0.356	9.04	0.275	6.99	6.47	28.78	44.90	7.86
C0300-040-0560-X	0.300	7.62	0.040	1.02	0.560	14.22	0.395	10.04	0.297	7.54	6.47	28.78	39.32	6.88
C0300-040-0620-X	0.300	7.62	0.040	1.02	0.620	15.75	0.435	11.04	0.320	8.13	6.47	28.78	34.90	6.11
C0300-040-0690-X	0.300	7.62	0.040	1.02	0.690	17.53	0.481	12.21	0.346	8.79	6.47	28.78	30.90	5.41
C0300-040-0750-X	0.300	7.62	0.040	1.02	0.750	19.05	0.520	13.21	0.368	9.35	6.47	28.78	28.16	4.94
C0300-040-0810-X	0.300	7.62	0.040	1.02	0.810	20.57	0.559	14.21	0.390	9.91	6.47	28.78	25.82	4.52
C0300-040-0880-X	0.300	7.62	0.040	1.02	0.880	22.35	0.606	15.38	0.416	10.57	6.47	28.78	23.57	4.13
C0300-040-0940-X	0.300	7.62	0.040	1.02	0.940	23.88	0.645	16.38	0.438	11.13	6.47	28.78	21.91	3.84
C0300-040-1000-X	0.300	7.62	0.040	1.02	1.000	25.40	0.684	17.38	0.460	11.68	6.47	28.78	20.49	3.59
C0300-040-1120-X	0.300	7.62	0.040	1.02	1.120	28.45	0.764	19.40	0.505	12.83	6.47	28.78	18.16	3.19
C0300-040-1250-X	0.300	7.62	0.040	1.02	1.250	31.75	0.850	21.58	0.553	14.05	6.47	28.78	16.16	2.84
C0300-040-1380-X	0.300	7.62	0.040	1.02	1.380	35.05	0.934	23.72	0.601	15.27	6.47	28.78	14.49	2.54
C0300-040-1500-X	0.300	7.62	0.040	1.02	1.500	38.10	1.015	25.77	0.645	16.38	6.47	28.78	13.33	2.33
C0300-040-1750-X	0.300	7.62	0.040	1.02	1.750	44.45	1.179	29.95	0.737	18.72	6.47	28.78	11.33	1.98
C0300-040-2000-X	0.300	7.62	0.040	1.02	2.000	50.80	1.342	34.08	0.830	21.08	6.47	28.78	9.83	1.72
C0300-040-2250-X	0.300	7.62	0.040	1.02	2.250	57.15	1.503	38.18	0.922	23.42	6.47	28.78	8.66	1.52
C0300-040-2500-X	0.300	7.62	0.040	1.02	2.500	63.50	1.674	42.52	1.015	25.78	6.47	28.78	7.83	1.37
C0300-042-0380-X	0.300	7.62	0.042	1.07	0.380	9.65	0.299	7.60	0.210	5.33	7.30	32.47	90.21	15.80
C0300-042-0440-X	0.300	7.62	0.042	1.07	0.440	11.18	0.344	8.73	0.230	5.84	7.30	32.47	75.64	13.24
C0300-042-0500-X	0.300	7.62	0.042	1.07	0.500	12.70	0.376	9.55	0.266	6.76	7.30	32.47	58.89	10.31
C0300-042-0560-X	0.300	7.62	0.042	1.07	0.560	14.22	0.414	10.53	0.294	7.47	7.30	32.47	50.15	8.79
C0300-042-0620-X	0.300	7.62	0.042	1.07	0.620	15.75	0.450	11.44	0.325	8.26	7.30	32.47	42.98	7.53
C0300-042-0690-X	0.300	7.62	0.042	1.07	0.690	17.53	0.496	12.59	0.357	9.07	7.30	32.47	37.57	6.58
C0300-042-0750-X	0.300	7.62	0.042	1.07	0.750	19.05	0.540	13.71	0.378	9.60	7.30	32.47	34.74	6.08
C0300-042-0810-X	0.300	7.62	0.042	1.07	0.810	20.57	0.576	14.62	0.409	10.39	7.30	32.47	31.15	5.46
C0300-042-0880-X	0.300	7.62	0.042	1.07	0.880	22.35	0.621	15.77	0.442	11.23	7.30	32.47	28.16	4.94
C0300-042-0940-X	0.300	7.62	0.042	1.07	0.940	23.88	0.665	16.90	0.462	11.73	7.30	32.47	26.57	4.66
C0300-042-1000-X	0.300	7.62	0.042	1.07	1.000	25.40	0.709	18.01	0.484	12.29	7.30	32.47	25.07	4.40
C0300-042-1120-X	0.300	7.62	0.042	1.07	1.120	28.45	0.797	20.24	0.526	13.36	7.30	32.47	22.57	3.96

316 STAINLESS STEEL

Catalog #	Outside Diameter (OD)		Wire Diameter (d)		Free Length (L) Approx		Load Length (L ₁)		Solid Height (Sh) Approx		Load (P) at L ₁		Spring Rate (R)	
	in	mm	in	mm	in	mm	in	mm	in	mm	lb	N	lb/in	N/mm
C0300-042-1250-X	0.300	7.62	0.042	1.07	1.250	31.75	0.887	22.52	0.578	14.68	7.30	32.47	20.08	3.52
C0300-042-1380-X	0.300	7.62	0.042	1.07	1.380	35.05	0.976	24.80	0.630	16.00	7.30	32.47	18.08	3.17
C0300-042-1500-X	0.300	7.62	0.042	1.07	1.500	38.10	1.055	26.81	0.684	17.37	7.30	32.47	16.41	2.87
C0300-042-1750-X	0.300	7.62	0.042	1.07	1.750	44.45	1.216	30.88	0.794	20.17	7.30	32.47	13.66	2.40
C0300-042-2000-X	0.300	7.62	0.042	1.07	2.000	50.80	1.383	35.13	0.894	22.71	7.30	32.47	11.83	2.07
C0300-042-2250-X	0.300	7.62	0.042	1.07	2.250	57.15	1.555	39.49	0.995	25.27	7.30	32.47	10.50	1.84
C0300-042-2500-X	0.300	7.62	0.042	1.07	2.500	63.50	1.758	44.64	1.050	26.67	7.30	32.47	9.83	1.72
C0300-045-0380-X	0.300	7.62	0.045	1.14	0.380	9.65	0.293	7.45	0.247	6.27	8.91	39.63	102.88	18.02
C0300-045-0440-X	0.300	7.62	0.045	1.14	0.440	11.18	0.339	8.61	0.269	6.83	8.91	39.63	88.38	15.48
C0300-045-0500-X	0.300	7.62	0.045	1.14	0.500	12.70	0.384	9.76	0.292	7.42	8.91	39.63	77.14	13.50
C0300-045-0560-X	0.300	7.62	0.045	1.14	0.560	14.22	0.423	10.75	0.325	8.26	8.91	39.63	65.22	11.42
C0300-045-0620-X	0.300	7.62	0.045	1.14	0.620	15.75	0.462	11.73	0.359	9.12	8.91	39.63	56.31	9.86
C0300-045-0690-X	0.300	7.62	0.045	1.14	0.690	17.53	0.517	13.14	0.381	9.68	8.91	39.63	51.65	9.05
C0300-045-0750-X	0.300	7.62	0.045	1.14	0.750	19.05	0.555	14.11	0.415	10.54	8.91	39.63	45.82	8.02
C0300-045-0810-X	0.300	7.62	0.045	1.14	0.810	20.57	0.601	15.28	0.437	11.10	8.91	39.63	42.73	7.48
C0300-045-0880-X	0.300	7.62	0.045	1.14	0.880	22.35	0.649	16.49	0.472	11.99	8.91	39.63	38.65	6.78
C0300-045-0940-X	0.300	7.62	0.045	1.14	0.940	23.88	0.688	17.47	0.506	12.85	8.91	39.63	35.32	6.18
C0300-045-1000-X	0.300	7.62	0.045	1.14	1.000	25.40	0.734	18.64	0.527	13.39	8.91	39.63	33.49	5.87
C0300-045-1120-X	0.300	7.62	0.045	1.14	1.120	28.45	0.824	20.94	0.573	14.55	8.91	39.63	30.15	5.29
C0300-045-1250-X	0.300	7.62	0.045	1.14	1.250	31.75	0.919	23.33	0.629	15.98	8.91	39.63	26.91	4.71
C0300-045-1380-X	0.300	7.62	0.045	1.14	1.380	35.05	1.012	25.71	0.686	17.42	8.91	39.63	24.24	4.24
C0300-045-1500-X	0.300	7.62	0.045	1.14	1.500	38.10	1.096	27.84	0.742	18.85	8.91	39.63	22.07	3.87
C0300-045-1750-X	0.300	7.62	0.045	1.14	1.750	44.45	1.252	31.81	0.878	22.30	8.91	39.63	17.91	3.13
C0300-045-2000-X	0.300	7.62	0.045	1.14	2.000	50.80	1.428	36.26	0.990	25.15	8.91	39.63	15.58	2.73
C0300-045-2250-X	0.300	7.62	0.045	1.14	2.250	57.15	1.605	40.78	1.102	27.99	8.91	39.63	13.83	2.42
C0300-045-2500-X	0.300	7.62	0.045	1.14	2.500	63.50	1.814	46.08	1.170	29.72	8.91	39.63	12.99	2.28
C0300-047-0380-X	0.300	7.62	0.047	1.19	0.380	9.65	0.304	7.71	0.250	6.35	10.11	44.97	132.45	23.20
C0300-047-0440-X	0.300	7.62	0.047	1.19	0.440	11.18	0.348	8.83	0.279	7.09	10.11	44.97	109.46	19.18
C0300-047-0500-X	0.300	7.62	0.047	1.19	0.500	12.70	0.392	9.95	0.311	7.90	10.11	44.97	93.30	16.34
C0300-047-0560-X	0.300	7.62	0.047	1.19	0.560	14.22	0.436	11.07	0.343	8.71	10.11	44.97	81.30	14.24
C0300-047-0620-X	0.300	7.62	0.047	1.19	0.620	15.75	0.480	12.18	0.374	9.50	10.11	44.97	72.05	12.63
C0300-047-0690-X	0.300	7.62	0.047	1.19	0.690	17.53	0.531	13.49	0.408	10.36	10.11	44.97	63.56	11.14
C0300-047-0750-X	0.300	7.62	0.047	1.19	0.750	19.05	0.575	14.60	0.435	11.05	10.11	44.97	57.73	10.10
C0300-047-0810-X	0.300	7.62	0.047	1.19	0.810	20.57	0.619	15.72	0.461	11.71	10.11	44.97	52.90	9.26
C0300-047-0880-X	0.300	7.62	0.047	1.19	0.880	22.35	0.670	17.03	0.493	12.52	10.11	44.97	48.23	8.44
C0300-047-0940-X	0.300	7.62	0.047	1.19	0.940	23.88	0.714	18.15	0.520	13.21	10.11	44.97	44.82	7.85
C0300-047-1000-X	0.300	7.62	0.047	1.19	1.000	25.40	0.758	19.26	0.547	13.89	10.11	44.97	41.82	7.32
C0300-047-1120-X	0.300	7.62	0.047	1.19	1.120	28.45	0.846	21.49	0.600	15.24	10.11	44.97	36.90	6.46
C0300-047-1250-X	0.300	7.62	0.047	1.19	1.250	31.75	0.941	23.91	0.658	16.71	10.11	44.97	32.74	5.73
C0300-047-1380-X	0.300	7.62	0.047	1.19	1.380	35.05	1.037	26.35	0.717	18.21	10.11	44.97	29.49	5.17
C0300-047-1500-X	0.300	7.62	0.047	1.19	1.500	38.10	1.124	28.56	0.770	19.56	10.11	44.97	26.91	4.71
C0300-047-1750-X	0.300	7.62	0.047	1.19	1.750	44.45	1.309	33.24	0.882	22.40	10.11	44.97	22.91	4.01
C0300-047-2000-X	0.300	7.62	0.047	1.19	2.000	50.80	1.492	37.90	0.994	25.25	10.11	44.97	19.91	3.49
C0300-047-2250-X	0.300	7.62	0.047	1.19	2.250	57.15	1.675	42.54	1.106	28.09	10.11	44.97	17.58	3.08
C0300-047-2500-X	0.300	7.62	0.047	1.19	2.500	63.50	1.858	47.19	1.218	30.94	10.11	44.97	15.74	2.75
C0300-047-2750-X	0.300	7.62	0.047	1.19	2.750	69.85	2.040	51.83	1.330	33.78	10.11	44.97	14.24	2.49
C0300-047-3000-X	0.300	7.62	0.047	1.19	3.000	76.20	2.227	56.57	1.442	36.63	10.11	44.97	13.08	2.29
C0300-049-0380-X	0.300	7.62	0.049	1.24	0.380	9.65	0.309	7.86	0.263	6.68	11.15	49.60	157.85	27.65
C0300-049-0440-X	0.300	7.62	0.049	1.24	0.440	11.18	0.354	9.00	0.294	7.47	11.15	49.60	130.20	22.80
C0300-049-0500-X	0.300	7.62	0.049	1.24	0.500	12.70	0.399	10.14	0.328	8.33	11.15	49.60	110.79	19.40
C0300-049-0560-X	0.300	7.62	0.049	1.24	0.560	14.22	0.444	11.29	0.362	9.19	11.15	49.60	96.38	16.88
C0300-049-0620-X	0.300	7.62	0.049	1.24	0.620	15.75	0.489	12.43	0.395	10.03	11.15	49.60	85.30	14.94
C0300-049-0690-X	0.300	7.62	0.049	1.24	0.690	17.53	0.542	13.76	0.431	10.95	11.15	49.60	75.22	13.17
C0300-049-0750-X	0.300	7.62	0.049	1.24	0.750	19.05	0.587	14.90	0.460	11.68	11.15	49.60	68.31	11.96
C0300-049-0810-X	0.300	7.62	0.049	1.24	0.810	20.57	0.632	16.05	0.489	12.42	11.15	49.60	62.56	10.96
C0300-049-0880-X	0.300	7.62	0.049	1.24	0.880	22.35	0.684	17.38	0.523	13.28	11.15	49.60	56.98	9.98
C0300-049-0940-X	0.300	7.62	0.049	1.24	0.940	23.88	0.729	18.52	0.551	14.00	11.15	49.60	52.90	9.26
C0300-049-1000-X	0.300	7.62	0.049	1.24	1.000	25.40	0.774	19.67	0.580	14.73	11.15	49.60	49.40	8.65
C0300-049-1120-X	0.300	7.62	0.049	1.24	1.120	28.45	0.864	21.95	0.638	16.21	11.15	49.60	43.57	7.64
C0300-049-1250-X	0.300	7.62	0.049	1.24	1.250	31.75	0.962	24.42	0.700	17.78	11.15	49.60	38.65	6.78
C0300-049-1380-X	0.300	7.62	0.049	1.24	1.380	35.05	1.059	26.90	0.763	19.38	11.15	49.60	34.74	6.08
C0300-049-1500-X	0.300	7.62	0.049	1.24	1.500	38.10	1.149	29.18	0.821	20.85	11.15	49.60	31.74	5.55
C0300-049-1750-X	0.300	7.62	0.049	1.24	1.750	44.45	1.337	33.96	0.941	23.90	11.15	49.60	26.99	4.73
C0300-049-2000-X	0.300	7.62	0.049	1.24	2.000	50.80	1.524	38.70	1.061	26.95	11.15	49.60	23.41	4.10

FOR INFORMATION ON ALTERNATIVE FINISHES, SEE PAGE 311

SPEC

Part Numbers with an "*" are squared and not ground.

COMPRESSION SPRINGS
(OD) 0.047 - 0.353COMPRESSION SPRINGS
(OD) 0.353 - 0.588COMPRESSION SPRINGS
(OD) 0.588 - 0.970COMPRESSION SPRINGS
(OD) 0.970 - 1.410COMPRESSION SPRINGS
(OD) 1.410 - 2.820316 STAINLESS STEEL
COMPRESSION SPRINGSHEAVY DUTY
COMPRESSION SPRINGSCONICAL
COMPRESSION SPRINGSMULTIWAVE
COMPRESSION SPRINGS

(OD) 0.300 - 0.360

316 STAINLESS STEEL

Catalog #	Outside Diameter (OD)		Wire Diameter (d)		Free Length (L) Approx		Load Length (L _i)		Solid Height (Sh) Approx		Load (P) at L _i		Spring Rate (R)	
	in	mm	in	mm	in	mm	in	mm	in	mm	lb	N	lb/in	N/mm
C0300-049-2250-X	0.300	7.62	0.049	1.24	2.250	57.15	1.710	43.44	1.181	30.00	11.15	49.60	20.66	3.63
C0300-049-2500-X	0.300	7.62	0.049	1.24	2.500	63.50	1.900	48.25	1.301	33.05	11.15	49.60	18.58	3.26
C0300-049-2750-X	0.300	7.62	0.049	1.24	2.750	69.85	2.087	53.02	1.421	36.09	11.15	49.60	16.83	2.94
C0300-049-3000-X	0.300	7.62	0.049	1.24	3.000	76.20	2.273	57.72	1.541	39.14	11.15	49.60	15.33	2.68
C0300-051-0380-X	0.300	7.62	0.051	1.30	0.380	9.65	0.314	7.97	0.274	6.96	12.51	55.65	188.76	33.06
C0300-051-0440-X	0.300	7.62	0.051	1.30	0.440	11.18	0.359	9.13	0.308	7.82	12.51	55.65	155.27	27.20
C0300-051-0500-X	0.300	7.62	0.051	1.30	0.500	12.70	0.405	10.29	0.343	8.71	12.51	55.65	131.86	23.10
C0300-051-0560-X	0.300	7.62	0.051	1.30	0.560	14.22	0.451	11.45	0.379	9.63	12.51	55.65	114.54	20.05
C0300-051-0620-X	0.300	7.62	0.051	1.30	0.620	15.75	0.497	12.61	0.415	10.54	12.51	55.65	101.29	17.74
C0300-051-0690-X	0.300	7.62	0.051	1.30	0.690	17.53	0.550	13.96	0.453	11.51	12.51	55.65	89.21	15.62
C0300-051-0750-X	0.300	7.62	0.051	1.30	0.750	19.05	0.596	15.13	0.483	12.27	12.51	55.65	80.97	14.19
C0300-051-0810-X	0.300	7.62	0.051	1.30	0.810	20.57	0.641	16.29	0.514	13.06	12.51	55.65	74.14	12.98
C0300-051-0880-X	0.300	7.62	0.051	1.30	0.880	22.35	0.695	17.64	0.550	13.97	12.51	55.65	67.47	11.82
C0300-051-0940-X	0.300	7.62	0.051	1.30	0.940	23.88	0.740	18.80	0.580	14.73	12.51	55.65	62.64	10.96
C0300-051-1000-X	0.300	7.62	0.051	1.30	1.000	25.40	0.786	19.96	0.611	15.52	12.51	55.65	58.39	10.23
C0300-051-1120-X	0.300	7.62	0.051	1.30	1.120	28.45	0.877	22.29	0.672	17.07	12.51	55.65	51.56	9.04
C0300-051-1250-X	0.300	7.62	0.051	1.30	1.250	31.75	0.976	24.80	0.738	18.75	12.51	55.65	45.73	8.00
C0300-051-1380-X	0.300	7.62	0.051	1.30	1.380	35.05	1.075	27.32	0.805	20.45	12.51	55.65	41.07	7.20
C0300-051-1500-X	0.300	7.62	0.051	1.30	1.500	38.10	1.167	29.64	0.866	22.00	12.51	55.65	37.57	6.58
C0300-051-1750-X	0.300	7.62	0.051	1.30	1.750	44.45	1.357	34.47	0.993	25.22	12.51	55.65	31.82	5.57
C0300-051-2000-X	0.300	7.62	0.051	1.30	2.000	50.80	1.548	39.31	1.121	28.47	12.51	55.65	27.66	4.85
C0300-051-2250-X	0.300	7.62	0.051	1.30	2.250	57.15	1.737	44.13	1.248	31.70	12.51	55.65	24.41	4.27
C0300-051-2500-X	0.300	7.62	0.051	1.30	2.500	63.50	1.929	49.00	1.376	34.95	12.51	55.65	21.91	3.84
C0300-051-2750-X	0.300	7.62	0.051	1.30	2.750	69.85	2.119	53.82	1.503	38.18	12.51	55.65	19.83	3.47
C0300-051-3000-X	0.300	7.62	0.051	1.30	3.000	76.20	2.308	58.62	1.631	41.43	12.51	55.65	18.08	3.17
D21550X*	0.340	8.63	0.025	0.63	0.630	16.00	0.342	8.69	0.161	4.10	24.06	5.41	4.23	0.74
D21560X*	0.340	8.63	0.025	0.63	0.965	24.50	0.511	12.99	0.211	5.36	24.06	5.41	2.68	0.47
D21570X*	0.340	8.63	0.025	0.63	1.457	37.00	0.770	19.55	0.285	7.25	24.06	5.41	1.77	0.31
D21580X*	0.340	8.63	0.025	0.63	2.165	55.00	1.151	29.24	0.385	9.77	24.06	5.41	1.20	0.21
D21590X*	0.340	8.63	0.025	0.63	3.169	80.50	1.668	42.36	0.533	13.55	23.75	5.34	0.80	0.14
D21750X*	0.346	8.80	0.031	0.80	0.571	14.50	0.354	9.00	0.205	5.20	47.24	10.62	11.02	1.93
D21760X*	0.346	8.80	0.031	0.80	0.846	21.50	0.507	12.87	0.268	6.80	47.24	10.62	7.02	1.23
D21770X*	0.346	8.80	0.031	0.80	1.260	32.00	0.737	18.73	0.362	9.20	47.24	10.62	4.57	0.80
D21780X*	0.346	8.80	0.031	0.80	1.850	47.00	1.076	27.33	0.488	12.40	47.24	10.62	3.08	0.54
D21790X*	0.346	8.80	0.031	0.80	2.677	68.00	1.547	39.30	0.677	17.20	47.24	10.62	2.11	0.37
D21950X	0.354	9.00	0.039	1.00	0.512	13.00	0.348	8.83	0.217	5.50	87.76	19.73	27.01	4.73
D21960X	0.354	9.00	0.039	1.00	0.748	19.00	0.490	12.45	0.295	7.50	87.76	19.73	17.19	3.01
D21970X	0.354	9.00	0.039	1.00	1.122	28.50	0.722	18.33	0.413	10.50	87.76	19.73	11.08	1.94
D21980X	0.354	9.00	0.039	1.00	1.594	40.50	1.006	25.55	0.571	14.50	87.76	19.73	7.54	1.32
D21990X	0.354	9.00	0.039	1.00	2.323	59.00	1.460	37.08	0.807	20.50	87.76	19.73	5.14	0.90
C0360-026-0500-X	0.360	9.14	0.026	0.66	0.500	12.70	0.300	7.62	0.117	2.97	1.53	6.81	7.66	1.35
C0360-026-0560-X	0.360	9.14	0.026	0.66	0.560	14.22	0.336	8.53	0.123	3.12	1.53	6.81	6.83	1.19
C0360-026-0620-X	0.360	9.14	0.026	0.66	0.620	15.75	0.371	9.44	0.129	3.28	1.53	6.81	6.16	1.09
C0360-026-0690-X	0.360	9.14	0.026	0.66	0.690	17.53	0.416	10.55	0.136	3.45	1.53	6.81	5.58	0.98
C0360-026-0750-X	0.360	9.14	0.026	0.66	0.750	19.05	0.449	11.39	0.143	3.63	1.53	6.81	5.08	0.89
C0360-026-0810-X	0.360	9.14	0.026	0.66	0.810	20.57	0.487	12.38	0.148	3.76	1.53	6.81	4.75	0.84
C0360-026-0880-X	0.360	9.14	0.026	0.66	0.880	22.35	0.505	12.82	0.162	4.11	1.53	6.81	4.08	0.72
C0360-026-0940-X	0.360	9.14	0.026	0.66	0.940	23.88	0.540	13.72	0.169	4.29	1.53	6.81	3.83	0.67
C0360-026-1000-X	0.360	9.14	0.026	0.66	1.000	25.40	0.551	14.01	0.181	4.60	1.53	6.81	3.42	0.60
C0360-026-1120-X	0.360	9.14	0.026	0.66	1.120	28.45	0.648	16.47	0.187	4.75	1.53	6.81	3.25	0.58
C0360-026-1250-X	0.360	9.14	0.026	0.66	1.250	31.75	0.709	18.01	0.213	5.41	1.53	6.81	2.83	0.49
C0360-026-1500-X	0.360	9.14	0.026	0.66	1.500	38.10	0.843	21.42	0.242	6.15	1.53	6.81	2.33	0.40
C0360-026-1750-X	0.360	9.14	0.026	0.66	1.750	44.45	0.984	24.99	0.270	6.86	1.53	6.81	2.00	0.35
C0360-026-2000-X	0.360	9.14	0.026	0.66	2.000	50.80	1.124	28.56	0.298	7.57	1.53	6.81	1.75	0.32
C0360-029-0500-X	0.360	9.14	0.029	0.74	0.500	12.70	0.303	7.70	0.150	3.81	2.12	9.43	10.75	1.89
C0360-029-0560-X	0.360	9.14	0.029	0.74	0.560	14.22	0.337	8.56	0.159	4.04	2.12	9.43	9.50	1.66
C0360-029-0620-X	0.360	9.14	0.029	0.74	0.620	15.75	0.371	9.42	0.167	4.24	2.12	9.43	8.50	1.49
C0360-029-0690-X	0.360	9.14	0.029	0.74	0.690	17.53	0.408	10.35	0.177	4.50	2.12	9.43	7.50	1.31
C0360-029-0750-X	0.360	9.14	0.029	0.74	0.750	19.05	0.440	11.18	0.186	4.72	2.12	9.43	6.83	1.19
C0360-029-0810-X	0.360	9.14	0.029	0.74	0.810	20.57	0.476	12.08	0.194	4.93	2.12	9.43	6.33	1.10
C0360-029-0880-X	0.360	9.14	0.029	0.74	0.880	22.35	0.512	13.00	0.204	5.18	2.12	9.43	5.75	1.02
C0360-029-0940-X	0.360	9.14	0.029	0.74	0.940	23.88	0.549	13.94	0.213	5.41	2.12	9.43	5.41	0.95
C0360-029-1000-X	0.360	9.14	0.029	0.74	1.000	25.40	0.583	14.82	0.221	5.61	2.12	9.43	5.08	0.89
C0360-029-1120-X	0.360	9.14	0.029	0.74	1.120	28.45	0.649	16.49	0.238	6.05	2.12	9.43	4.50	0.79

316 STAINLESS STEEL

Catalog #	Outside Diameter (OD)		Wire Diameter (d)		Free Length (L) Approx		Load Length (L _L)		Solid Height (Sh) Approx		Load (P) at L _L		Spring Rate (R)	
	in	mm	in	mm	in	mm	in	mm	in	mm	lb	N	lb/in	N/mm
	C0360-029-1250-X	0.360	9.14	0.029	0.74	1.250	31.75	0.721	18.30	0.257	6.53	2.12	9.43	4.00
C0360-029-1380-X	0.360	9.14	0.029	0.74	1.380	35.05	0.789	20.04	0.275	6.99	2.12	9.43	3.58	0.63
C0360-029-1500-X	0.360	9.14	0.029	0.74	1.500	38.10	0.865	21.96	0.292	7.42	2.12	9.43	3.33	0.58
C0360-029-1750-X	0.360	9.14	0.029	0.74	1.750	44.45	1.002	25.46	0.328	8.33	2.12	9.43	2.83	0.49
C0360-029-2000-X	0.360	9.14	0.029	0.74	2.000	50.80	1.124	28.54	0.364	9.25	2.12	9.43	2.42	0.42
C0360-032-0380-X	0.360	9.14	0.032	0.81	0.380	9.65	0.243	6.17	0.151	3.84	2.83	12.59	20.66	3.63
C0360-032-0440-X	0.360	9.14	0.032	0.81	0.440	11.18	0.277	7.02	0.162	4.11	2.83	12.59	17.33	3.03
C0360-032-0500-X	0.360	9.14	0.032	0.81	0.500	12.70	0.310	7.88	0.159	4.04	2.83	12.59	14.91	2.61
C0360-032-0560-X	0.360	9.14	0.032	0.81	0.560	14.22	0.351	8.93	0.167	4.24	2.83	12.59	13.58	2.38
C0360-032-0620-X	0.360	9.14	0.032	0.81	0.620	15.75	0.392	9.95	0.175	4.45	2.83	12.59	12.41	2.17
C0360-032-0690-X	0.360	9.14	0.032	0.81	0.690	17.53	0.424	10.78	0.191	4.85	2.83	12.59	10.66	1.87
C0360-032-0750-X	0.360	9.14	0.032	0.81	0.750	19.05	0.464	11.79	0.199	5.05	2.83	12.59	9.91	1.73
C0360-032-0810-X	0.360	9.14	0.032	0.81	0.810	20.57	0.506	12.86	0.207	5.26	2.83	12.59	9.33	1.63
C0360-032-0880-X	0.360	9.14	0.032	0.81	0.880	22.35	0.537	13.63	0.224	5.69	2.83	12.59	8.25	1.45
C0360-032-0940-X	0.360	9.14	0.032	0.81	0.940	23.88	0.578	14.69	0.231	5.87	2.83	12.59	7.83	1.37
C0360-032-1000-X	0.360	9.14	0.032	0.81	1.000	25.40	0.600	15.24	0.247	6.27	2.83	12.59	7.08	1.24
C0360-032-1120-X	0.360	9.14	0.032	0.81	1.120	28.45	0.667	16.93	0.270	6.86	2.83	12.59	6.25	1.10
C0360-032-1250-X	0.360	9.14	0.032	0.81	1.250	31.75	0.735	18.66	0.303	7.70	2.83	12.59	5.50	0.96
C0360-032-1380-X	0.360	9.14	0.032	0.81	1.380	35.05	0.813	20.66	0.317	8.05	2.83	12.59	5.00	0.88
C0360-032-1500-X	0.360	9.14	0.032	0.81	1.500	38.10	0.870	22.11	0.344	8.74	2.83	12.59	4.50	0.79
C0360-032-1750-X	0.360	9.14	0.032	0.81	1.750	44.45	1.011	25.68	0.391	9.93	2.83	12.59	3.83	0.67
C0360-032-2000-X	0.360	9.14	0.032	0.81	2.000	50.80	1.150	29.21	0.434	11.02	2.83	12.59	3.33	0.58
C0360-032-2250-X	0.360	9.14	0.032	0.81	2.250	57.15	1.355	34.42	0.464	11.79	2.83	12.59	3.17	0.56
C0360-032-2500-X	0.360	9.14	0.032	0.81	2.500	63.50	1.500	38.10	0.498	12.65	2.83	12.59	2.83	0.49
C0360-035-0440-X	0.360	9.14	0.035	0.89	0.440	11.18	0.284	7.21	0.182	4.62	3.69	16.41	23.66	4.15
C0360-035-0500-X	0.360	9.14	0.035	0.89	0.500	12.70	0.318	8.09	0.195	4.95	3.69	16.41	20.33	3.56
C0360-035-0560-X	0.360	9.14	0.035	0.89	0.560	14.22	0.353	8.97	0.208	5.28	3.69	16.41	17.83	3.12
C0360-035-0620-X	0.360	9.14	0.035	0.89	0.620	15.75	0.388	9.86	0.220	5.59	3.69	16.41	15.91	2.78
C0360-035-0690-X	0.360	9.14	0.035	0.89	0.690	17.53	0.428	10.87	0.235	5.97	3.69	16.41	14.08	2.47
C0360-035-0750-X	0.360	9.14	0.035	0.89	0.750	19.05	0.462	11.74	0.247	6.27	3.69	16.41	12.83	2.24
C0360-035-0810-X	0.360	9.14	0.035	0.89	0.810	20.57	0.498	12.65	0.260	6.60	3.69	16.41	11.83	2.07
C0360-035-0880-X	0.360	9.14	0.035	0.89	0.880	22.35	0.539	13.70	0.275	6.99	3.69	16.41	10.83	1.89
C0360-035-0940-X	0.360	9.14	0.035	0.89	0.940	23.88	0.574	14.58	0.287	7.29	3.69	16.41	10.08	1.77
C0360-035-1000-X	0.360	9.14	0.035	0.89	1.000	25.40	0.608	15.44	0.300	7.62	3.69	16.41	9.41	1.65
C0360-035-1120-X	0.360	9.14	0.035	0.89	1.120	28.45	0.677	17.20	0.325	8.26	3.69	16.41	8.33	1.45
C0360-035-1250-X	0.360	9.14	0.035	0.89	1.250	31.75	0.752	19.11	0.352	8.94	3.69	16.41	7.41	1.30
C0360-035-1380-X	0.360	9.14	0.035	0.89	1.380	35.05	0.826	20.99	0.379	9.63	3.69	16.41	6.66	1.17
C0360-035-1500-X	0.360	9.14	0.035	0.89	1.500	38.10	0.893	22.69	0.404	10.26	3.69	16.41	6.08	1.07
C0360-035-1750-X	0.360	9.14	0.035	0.89	1.750	44.45	1.047	26.59	0.457	11.61	3.69	16.41	5.25	0.93
C0360-035-2000-X	0.360	9.14	0.035	0.89	2.000	50.80	1.180	29.97	0.509	12.93	3.69	16.41	4.50	0.79
C0360-035-2250-X	0.360	9.14	0.035	0.89	2.250	57.15	1.327	33.71	0.562	14.27	3.69	16.41	4.00	0.70
C0360-035-2500-X	0.360	9.14	0.035	0.89	2.500	63.50	1.470	37.34	0.614	15.60	3.69	16.41	3.58	0.63
C0360-038-0440-X	0.360	9.14	0.038	0.97	0.440	11.18	0.289	7.34	0.190	4.83	4.70	20.91	31.15	5.46
C0360-038-0500-X	0.360	9.14	0.038	0.97	0.500	12.70	0.335	8.50	0.199	5.05	4.70	20.91	28.41	4.97
C0360-038-0560-X	0.360	9.14	0.038	0.97	0.560	14.22	0.364	9.25	0.218	5.54	4.70	20.91	23.99	4.20
C0360-038-0620-X	0.360	9.14	0.038	0.97	0.620	15.75	0.393	9.99	0.237	6.02	4.70	20.91	20.74	3.63
C0360-038-0690-X	0.360	9.14	0.038	0.97	0.690	17.53	0.435	11.04	0.256	6.50	4.70	20.91	18.41	3.22
C0360-038-0750-X	0.360	9.14	0.038	0.97	0.750	19.05	0.479	12.16	0.266	6.76	4.70	20.91	17.33	3.03
C0360-038-0810-X	0.360	9.14	0.038	0.97	0.810	20.57	0.508	12.91	0.285	7.24	4.70	20.91	15.58	2.73
C0360-038-0880-X	0.360	9.14	0.038	0.97	0.880	22.35	0.548	13.92	0.304	7.72	4.70	20.91	14.16	2.49
C0360-038-0940-X	0.360	9.14	0.038	0.97	0.940	23.88	0.578	14.69	0.323	8.20	4.70	20.91	12.99	2.28
C0360-038-1000-X	0.360	9.14	0.038	0.97	1.000	25.40	0.624	15.85	0.332	8.43	4.70	20.91	12.50	2.19
C0360-038-1120-X	0.360	9.14	0.038	0.97	1.120	28.45	0.683	17.34	0.370	9.40	4.70	20.91	10.75	1.89
C0360-038-1250-X	0.360	9.14	0.038	0.97	1.250	31.75	0.768	19.50	0.399	10.13	4.70	20.91	9.75	1.72
C0360-038-1380-X	0.360	9.14	0.038	0.97	1.380	35.05	0.837	21.27	0.437	11.10	4.70	20.91	8.66	1.52
C0360-038-1500-X	0.360	9.14	0.038	0.97	1.500	38.10	0.912	23.17	0.465	11.81	4.70	20.91	8.00	1.40
C0360-038-1750-X	0.360	9.14	0.038	0.97	1.750	44.45	1.070	27.18	0.526	13.36	4.70	20.91	6.91	1.21
C0360-038-2000-X	0.360	9.14	0.038	0.97	2.000	50.80	1.216	30.90	0.587	14.91	4.70	20.91	6.00	1.05
C0360-038-2250-X	0.360	9.14	0.038	0.97	2.250	57.15	1.368	34.76	0.649	16.48	4.70	20.91	5.33	0.93
C0360-038-2500-X	0.360	9.14	0.038	0.97	2.500	63.50	1.510	38.36	0.711	18.06	4.70	20.91	4.75	0.84
C0360-040-0440-X	0.360	9.14	0.040	1.02	0.440	11.18	0.297	7.55	0.218	5.54	5.46	24.29	38.32	6.71
C0360-040-0500-X	0.360	9.14	0.040	1.02	0.500	12.70	0.334	8.47	0.234	5.94	5.46	24.29	32.82	5.74
C0360-040-0560-X	0.360	9.14	0.040	1.02	0.560	14.22	0.370	9.39	0.250	6.35	5.46	24.29	28.74	5.03
C0360-040-0620-X	0.360	9.14	0.040	1.02	0.620	15.75	0.406	10.32	0.267	6.78	5.46	24.29	25.57	4.48

COMPRESSION SPRINGS
(OD) 0.047 - 0.353COMPRESSION SPRINGS
(OD) 0.353 - 0.588COMPRESSION SPRINGS
(OD) 0.588 - 0.970COMPRESSION SPRINGS
(OD) 0.970 - 1.410COMPRESSION SPRINGS
(OD) 1.410 - 2.820316 STAINLESS STEEL
COMPRESSION SPRINGSHEAVY DUTY
COMPRESSION SPRINGSCONICAL
COMPRESSION SPRINGSMULTI-WAVE
COMPRESSION SPRINGS

316 STAINLESS STEEL

Catalog #	Outside Diameter (OD)		Wire Diameter (d)		Free Length (L) Approx		Load Length (L ₁)		Solid Height (Sh) Approx		Load (P) at L ₁		Spring Rate (R)	
	in	mm	in	mm	in	mm	in	mm	in	mm	lb	N	lb/in	N/mm
	C0360-040-0690-X	0.360	9.14	0.040	1.02	0.690	17.53	0.448	11.38	0.286	7.26	5.46	24.29	22.57
C0360-040-0750-X	0.360	9.14	0.040	1.02	0.750	19.05	0.484	12.30	0.302	7.67	5.46	24.29	20.58	3.61
C0360-040-0810-X	0.360	9.14	0.040	1.02	0.810	20.57	0.521	13.23	0.318	8.08	5.46	24.29	18.91	3.31
C0360-040-0880-X	0.360	9.14	0.040	1.02	0.880	22.35	0.563	14.30	0.337	8.56	5.46	24.29	17.24	3.01
C0360-040-0940-X	0.360	9.14	0.040	1.02	0.940	23.88	0.598	15.20	0.353	8.97	5.46	24.29	15.99	2.80
C0360-040-1000-X	0.360	9.14	0.040	1.02	1.000	25.40	0.636	16.14	0.370	9.40	5.46	24.29	14.99	2.63
C0360-040-1120-X	0.360	9.14	0.040	1.02	1.120	28.45	0.707	17.97	0.402	10.21	5.46	24.29	13.24	2.31
C0360-040-1250-X	0.360	9.14	0.040	1.02	1.250	31.75	0.785	19.93	0.438	11.13	5.46	24.29	11.75	2.07
C0360-040-1380-X	0.360	9.14	0.040	1.02	1.380	35.05	0.863	21.93	0.473	12.01	5.46	24.29	10.58	1.86
C0360-040-1500-X	0.360	9.14	0.040	1.02	1.500	38.10	0.939	23.86	0.505	12.83	5.46	24.29	9.75	1.72
C0360-040-1750-X	0.360	9.14	0.040	1.02	1.750	44.45	1.087	27.62	0.573	14.55	5.46	24.29	8.25	1.45
C0360-040-2000-X	0.360	9.14	0.040	1.02	2.000	50.80	1.237	31.43	0.641	16.28	5.46	24.29	7.16	1.26
C0360-040-2250-X	0.360	9.14	0.040	1.02	2.250	57.15	1.387	35.23	0.709	18.01	5.46	24.29	6.33	1.10
C0360-040-2500-X	0.360	9.14	0.040	1.02	2.500	63.50	1.535	39.00	0.777	19.74	5.46	24.29	5.66	1.00
C0360-042-0440-X	0.360	9.14	0.042	1.07	0.440	11.18	0.312	7.94	0.209	5.31	6.17	27.45	48.40	8.48
C0360-042-0500-X	0.360	9.14	0.042	1.07	0.500	12.70	0.347	8.80	0.231	5.87	6.17	27.45	40.23	7.04
C0360-042-0560-X	0.360	9.14	0.042	1.07	0.560	14.22	0.381	9.67	0.252	6.40	6.17	27.45	34.40	6.02
C0360-042-0620-X	0.360	9.14	0.042	1.07	0.620	15.75	0.428	10.87	0.262	6.65	6.17	27.45	32.15	5.64
C0360-042-0690-X	0.360	9.14	0.042	1.07	0.690	17.53	0.472	11.99	0.284	7.21	6.17	27.45	28.32	4.96
C0360-042-0750-X	0.360	9.14	0.042	1.07	0.750	19.05	0.510	12.96	0.301	7.65	6.17	27.45	25.74	4.50
C0360-042-0810-X	0.360	9.14	0.042	1.07	0.810	20.57	0.541	13.73	0.326	8.28	6.17	27.45	22.91	4.01
C0360-042-0880-X	0.360	9.14	0.042	1.07	0.880	22.35	0.586	14.89	0.346	8.79	6.17	27.45	20.99	3.68
C0360-042-0940-X	0.360	9.14	0.042	1.07	0.940	23.88	0.619	15.73	0.368	9.35	6.17	27.45	19.24	3.36
C0360-042-1000-X	0.360	9.14	0.042	1.07	1.000	25.40	0.655	16.65	0.388	9.86	6.17	27.45	17.91	3.13
C0360-042-1120-X	0.360	9.14	0.042	1.07	1.120	28.45	0.724	18.39	0.430	10.92	6.17	27.45	15.58	2.73
C0360-042-1250-X	0.360	9.14	0.042	1.07	1.250	31.75	0.814	20.68	0.463	11.76	6.17	27.45	14.16	2.49
C0360-042-1380-X	0.360	9.14	0.042	1.07	1.380	35.05	0.905	22.99	0.495	12.57	6.17	27.45	12.99	2.28
C0360-042-1500-X	0.360	9.14	0.042	1.07	1.500	38.10	0.989	25.12	0.525	13.34	6.17	27.45	12.08	2.12
C0360-042-1750-X	0.360	9.14	0.042	1.07	1.750	44.45	1.122	28.50	0.621	15.77	6.17	27.45	9.83	1.72
C0360-042-2000-X	0.360	9.14	0.042	1.07	2.000	50.80	1.281	32.53	0.695	17.65	6.17	27.45	8.58	1.51
C0360-042-2250-X	0.360	9.14	0.042	1.07	2.250	57.15	1.436	36.47	0.770	19.56	6.17	27.45	7.58	1.33
C0360-042-2500-X	0.360	9.14	0.042	1.07	2.500	63.50	1.585	40.27	0.844	21.44	6.17	27.45	6.75	1.19
C0360-045-0440-X	0.360	9.14	0.045	1.14	0.440	11.18	0.325	8.26	0.224	5.69	7.55	33.58	65.81	11.52
C0360-045-0500-X	0.360	9.14	0.045	1.14	0.500	12.70	0.362	9.20	0.247	6.27	7.55	33.58	54.73	9.58
C0360-045-0560-X	0.360	9.14	0.045	1.14	0.560	14.22	0.399	10.13	0.270	6.86	7.55	33.58	46.81	8.20
C0360-045-0620-X	0.360	9.14	0.045	1.14	0.620	15.75	0.435	11.06	0.292	7.42	7.55	33.58	40.90	7.16
C0360-045-0690-X	0.360	9.14	0.045	1.14	0.690	17.53	0.483	12.27	0.314	7.98	7.55	33.58	36.49	6.39
C0360-045-0750-X	0.360	9.14	0.045	1.14	0.750	19.05	0.520	13.21	0.337	8.56	7.55	33.58	32.82	5.74
C0360-045-0810-X	0.360	9.14	0.045	1.14	0.810	20.57	0.557	14.14	0.359	9.12	7.55	33.58	29.82	5.22
C0360-045-0880-X	0.360	9.14	0.045	1.14	0.880	22.35	0.604	15.33	0.382	9.70	7.55	33.58	27.32	4.78
C0360-045-0940-X	0.360	9.14	0.045	1.14	0.940	23.88	0.641	16.28	0.404	10.26	7.55	33.58	25.24	4.41
C0360-045-1000-X	0.360	9.14	0.045	1.14	1.000	25.40	0.677	17.21	0.427	10.85	7.55	33.58	23.41	4.10
C0360-045-1120-X	0.360	9.14	0.045	1.14	1.120	28.45	0.751	19.09	0.472	11.99	7.55	33.58	20.49	3.59
C0360-045-1250-X	0.360	9.14	0.045	1.14	1.250	31.75	0.836	21.24	0.516	13.11	7.55	33.58	18.24	3.19
C0360-045-1380-X	0.360	9.14	0.045	1.14	1.380	35.05	0.920	23.36	0.562	14.27	7.55	33.58	16.41	2.87
C0360-045-1500-X	0.360	9.14	0.045	1.14	1.500	38.10	0.994	25.24	0.607	15.42	7.55	33.58	14.91	2.61
C0360-045-1750-X	0.360	9.14	0.045	1.14	1.750	44.45	1.154	29.30	0.694	17.63	7.55	33.58	12.66	2.22
C0360-045-2000-X	0.360	9.14	0.045	1.14	2.000	50.80	1.313	33.36	0.778	19.76	7.55	33.58	11.00	1.93
C0360-045-2250-X	0.360	9.14	0.045	1.14	2.250	57.15	1.475	37.47	0.862	21.89	7.55	33.58	9.75	1.72
C0360-045-2500-X	0.360	9.14	0.045	1.14	2.500	63.50	1.637	41.57	0.946	24.03	7.55	33.58	8.75	1.54
C0360-045-2750-X	0.360	9.14	0.045	1.14	2.750	69.85	1.834	46.59	0.990	25.15	7.55	33.58	8.25	1.45
C0360-047-0440-X	0.360	9.14	0.047	1.19	0.440	11.18	0.329	8.35	0.257	6.53	8.57	38.12	77.14	13.50
C0360-047-0500-X	0.360	9.14	0.047	1.19	0.500	12.70	0.370	9.39	0.277	7.04	8.57	38.12	65.72	11.51
C0360-047-0560-X	0.360	9.14	0.047	1.19	0.560	14.22	0.410	10.42	0.297	7.54	8.57	38.12	57.23	10.02
C0360-047-0620-X	0.360	9.14	0.047	1.19	0.620	15.75	0.451	11.45	0.318	8.08	8.57	38.12	50.73	8.88
C0360-047-0690-X	0.360	9.14	0.047	1.19	0.690	17.53	0.498	12.66	0.341	8.66	8.57	38.12	44.73	7.83
C0360-047-0750-X	0.360	9.14	0.047	1.19	0.750	19.05	0.539	13.69	0.361	9.17	8.57	38.12	40.65	7.13
C0360-047-0810-X	0.360	9.14	0.047	1.19	0.810	20.57	0.580	14.73	0.381	9.68	8.57	38.12	37.24	6.51
C0360-047-0880-X	0.360	9.14	0.047	1.19	0.880	22.35	0.627	15.93	0.405	10.29	8.57	38.12	33.90	5.94
C0360-047-0940-X	0.360	9.14	0.047	1.19	0.940	23.88	0.668	16.98	0.425	10.80	8.57	38.12	31.57	5.53
C0360-047-1000-X	0.360	9.14	0.047	1.19	1.000	25.40	0.708	17.99	0.445	11.30	8.57	38.12	29.40	5.15
C0360-047-1120-X	0.360	9.14	0.047	1.19	1.120	28.45	0.790	20.07	0.485	12.32	8.57	38.12	25.99	4.55
C0360-047-1250-X	0.360	9.14	0.047	1.19	1.250	31.75	0.878	22.31	0.529	13.44	8.57	38.12	23.07	4.05
C0360-047-1380-X	0.360	9.14	0.047	1.19	1.380	35.05	0.967	24.55	0.573	14.55	8.57	38.12	20.74	3.63

316 STAINLESS STEEL

Catalog #	Outside Diameter (OD)		Wire Diameter (d)		Free Length (L) Approx		Load Length (L ₁)		Solid Height (Sh) Approx		Load (P) at L ₁		Spring Rate (R)	
	in	mm	in	mm	in	mm	in	mm	in	mm	lb	N	lb/in	N/mm
C0360-047-1500-X	0.360	9.14	0.047	1.19	1.500	38.10	1.049	26.63	0.613	15.57	8.57	38.12	18.99	3.33
C0360-047-1750-X	0.360	9.14	0.047	1.19	1.750	44.45	1.217	30.90	0.697	17.70	8.57	38.12	16.08	2.82
C0360-047-2000-X	0.360	9.14	0.047	1.19	2.000	50.80	1.387	35.24	0.781	19.84	8.57	38.12	13.99	2.45
C0360-047-2250-X	0.360	9.14	0.047	1.19	2.250	57.15	1.559	39.60	0.865	21.97	8.57	38.12	12.41	2.17
C0360-047-2500-X	0.360	9.14	0.047	1.19	2.500	63.50	1.726	43.84	0.949	24.10	8.57	38.12	11.08	1.94
C0360-047-2750-X	0.360	9.14	0.047	1.19	2.750	69.85	1.899	48.24	1.033	26.24	8.57	38.12	10.08	1.77
C0360-047-3000-X	0.360	9.14	0.047	1.19	3.000	76.20	2.064	52.43	1.117	28.37	8.57	38.12	9.16	1.61
C0360-047-3250-X	0.360	9.14	0.047	1.19	3.250	82.55	2.231	56.66	1.201	30.51	8.57	38.12	8.41	1.47
C0360-047-3500-X	0.360	9.14	0.047	1.19	3.500	88.90	2.405	61.09	1.284	32.61	8.57	38.12	7.83	1.37
C0360-049-0440-X	0.360	9.14	0.049	1.24	0.440	11.18	0.335	8.52	0.271	6.88	9.47	42.12	90.55	15.87
C0360-049-0500-X	0.360	9.14	0.049	1.24	0.500	12.70	0.377	9.58	0.293	7.44	9.47	42.12	77.05	13.50
C0360-049-0560-X	0.360	9.14	0.049	1.24	0.560	14.22	0.419	10.64	0.315	8.00	9.47	42.12	67.06	11.75
C0360-049-0620-X	0.360	9.14	0.049	1.24	0.620	15.75	0.460	11.69	0.336	8.53	9.47	42.12	59.31	10.39
C0360-049-0690-X	0.360	9.14	0.049	1.24	0.690	17.53	0.509	12.93	0.362	9.19	9.47	42.12	52.31	9.16
C0360-049-0750-X	0.360	9.14	0.049	1.24	0.750	19.05	0.551	13.98	0.384	9.75	9.47	42.12	47.48	8.32
C0360-049-0810-X	0.360	9.14	0.049	1.24	0.810	20.57	0.592	15.04	0.405	10.29	9.47	42.12	43.48	7.62
C0360-049-0880-X	0.360	9.14	0.049	1.24	0.880	22.35	0.641	16.29	0.431	10.95	9.47	42.12	39.65	6.95
C0360-049-0940-X	0.360	9.14	0.049	1.24	0.940	23.88	0.683	17.34	0.453	11.51	9.47	42.12	36.82	6.44
C0360-049-1000-X	0.360	9.14	0.049	1.24	1.000	25.40	0.724	18.39	0.474	12.04	9.47	42.12	34.32	6.01
C0360-049-1120-X	0.360	9.14	0.049	1.24	1.120	28.45	0.808	20.51	0.518	13.16	9.47	42.12	30.32	5.31
C0360-049-1250-X	0.360	9.14	0.049	1.24	1.250	31.75	0.898	22.81	0.565	14.35	9.47	42.12	26.91	4.71
C0360-049-1380-X	0.360	9.14	0.049	1.24	1.380	35.05	0.988	25.09	0.612	15.54	9.47	42.12	24.16	4.24
C0360-049-1500-X	0.360	9.14	0.049	1.24	1.500	38.10	1.071	27.20	0.656	16.66	9.47	42.12	22.07	3.87
C0360-049-1750-X	0.360	9.14	0.049	1.24	1.750	44.45	1.245	31.62	0.747	18.97	9.47	42.12	18.74	3.27
C0360-049-2000-X	0.360	9.14	0.049	1.24	2.000	50.80	1.420	36.07	0.837	21.26	9.47	42.12	16.33	2.85
C0360-049-2250-X	0.360	9.14	0.049	1.24	2.250	57.15	1.593	40.46	0.928	23.57	9.47	42.12	14.41	2.52
C0360-049-2500-X	0.360	9.14	0.049	1.24	2.500	63.50	1.766	44.87	1.019	25.88	9.47	42.12	12.91	2.26
C0360-049-2750-X	0.360	9.14	0.049	1.24	2.750	69.85	1.938	49.22	1.110	28.19	9.47	42.12	11.66	2.05
C0360-049-3000-X	0.360	9.14	0.049	1.24	3.000	76.20	2.112	53.64	1.200	30.48	9.47	42.12	10.66	1.87
C0360-049-3250-X	0.360	9.14	0.049	1.24	3.250	82.55	2.286	58.08	1.291	32.79	9.47	42.12	9.83	1.72
C0360-049-3500-X	0.360	9.14	0.049	1.24	3.500	88.90	2.457	62.41	1.382	35.10	9.47	42.12	9.08	1.59
C0360-051-0440-X	0.360	9.14	0.051	1.30	0.440	11.18	0.339	8.62	0.286	7.26	10.64	47.33	105.62	18.49
C0360-051-0500-X	0.360	9.14	0.051	1.30	0.500	12.70	0.381	9.69	0.309	7.85	10.64	47.33	89.71	15.71
C0360-051-0560-X	0.360	9.14	0.051	1.30	0.560	14.22	0.424	10.76	0.333	8.46	10.64	47.33	77.97	13.66
C0360-051-0620-X	0.360	9.14	0.051	1.30	0.620	15.75	0.466	11.83	0.356	9.04	10.64	47.33	68.89	12.07
C0360-051-0690-X	0.360	9.14	0.051	1.30	0.690	17.53	0.515	13.08	0.384	9.75	10.64	47.33	60.73	10.63
C0360-051-0750-X	0.360	9.14	0.051	1.30	0.750	19.05	0.557	14.14	0.407	10.34	10.64	47.33	55.06	9.65
C0360-051-0810-X	0.360	9.14	0.051	1.30	0.810	20.57	0.599	15.21	0.431	10.95	10.64	47.33	50.40	8.83
C0360-051-0880-X	0.360	9.14	0.051	1.30	0.880	22.35	0.648	16.46	0.458	11.63	10.64	47.33	45.90	8.04
C0360-051-0940-X	0.360	9.14	0.051	1.30	0.940	23.88	0.690	17.53	0.482	12.24	10.64	47.33	42.57	7.46
C0360-051-1000-X	0.360	9.14	0.051	1.30	1.000	25.40	0.732	18.60	0.505	12.83	10.64	47.33	39.73	6.95
C0360-051-1120-X	0.360	9.14	0.051	1.30	1.120	28.45	0.817	20.74	0.552	14.02	10.64	47.33	35.07	6.15
C0360-051-1250-X	0.360	9.14	0.051	1.30	1.250	31.75	0.908	23.05	0.603	15.32	10.64	47.33	31.07	5.45
C0360-051-1380-X	0.360	9.14	0.051	1.30	1.380	35.05	0.999	25.37	0.654	16.61	10.64	47.33	27.91	4.89
C0360-051-1500-X	0.360	9.14	0.051	1.30	1.500	38.10	1.084	27.53	0.701	17.81	10.64	47.33	25.57	4.48
C0360-051-1750-X	0.360	9.14	0.051	1.30	1.750	44.45	1.259	31.97	0.800	20.32	10.64	47.33	21.66	3.80
C0360-051-2000-X	0.360	9.14	0.051	1.30	2.000	50.80	1.435	36.45	0.898	22.81	10.64	47.33	18.83	3.29
C0360-051-2250-X	0.360	9.14	0.051	1.30	2.250	57.15	1.608	40.85	0.996	25.30	10.64	47.33	16.58	2.91
C0360-051-2500-X	0.360	9.14	0.051	1.30	2.500	63.50	1.786	45.38	1.094	27.79	10.64	47.33	14.91	2.61
C0360-051-2750-X	0.360	9.14	0.051	1.30	2.750	69.85	1.962	49.82	1.192	30.28	10.64	47.33	13.49	2.36
C0360-051-3000-X	0.360	9.14	0.051	1.30	3.000	76.20	2.137	54.28	1.290	32.77	10.64	47.33	12.33	2.15
C0360-051-3250-X	0.360	9.14	0.051	1.30	3.250	82.55	2.311	58.70	1.388	35.26	10.64	47.33	11.33	1.98
C0360-051-3500-X	0.360	9.14	0.051	1.30	3.500	88.90	2.486	63.15	1.486	37.74	10.64	47.33	10.50	1.84
C0360-055-0440-X	0.360	9.14	0.055	1.40	0.440	11.18	0.351	8.93	0.310	7.87	12.95	57.60	146.27	25.62
C0360-055-0500-X	0.360	9.14	0.055	1.40	0.500	12.70	0.395	10.04	0.337	8.56	12.95	57.60	123.78	21.68
C0360-055-0560-X	0.360	9.14	0.055	1.40	0.560	14.22	0.439	11.16	0.363	9.22	12.95	57.60	107.29	18.79
C0360-055-0620-X	0.360	9.14	0.055	1.40	0.620	15.75	0.483	12.27	0.389	9.88	12.95	57.60	94.63	16.57
C0360-055-0690-X	0.360	9.14	0.055	1.40	0.690	17.53	0.534	13.57	0.420	10.67	12.95	57.60	83.22	14.57
C0360-055-0750-X	0.360	9.14	0.055	1.40	0.750	19.05	0.578	14.69	0.447	11.35	12.95	57.60	75.47	13.22
C0360-055-0810-X	0.360	9.14	0.055	1.40	0.810	20.57	0.622	15.81	0.473	12.01	12.95	57.60	68.97	12.08
C0360-055-0880-X	0.360	9.14	0.055	1.40	0.880	22.35	0.674	17.11	0.504	12.80	12.95	57.60	62.72	10.98
C0360-055-0940-X	0.360	9.14	0.055	1.40	0.940	23.88	0.717	18.22	0.530	13.46	12.95	57.60	58.14	10.17
C0360-055-1000-X	0.360	9.14	0.055	1.40	1.000	25.40	0.761	19.34	0.557	14.15	12.95	57.60	54.23	9.49
C0360-055-1120-X	0.360	9.14	0.055	1.40	1.120	28.45	0.849	21.57	0.609	15.47	12.95	57.60	47.81	8.37

COMPRESSION SPRINGS
(OD) 0.047 - 0.363

COMPRESSION SPRINGS
(OD) 0.363 - 0.598

COMPRESSION SPRINGS
(OD) 0.598 - 0.970

COMPRESSION SPRINGS
(OD) 0.970 - 1.410

COMPRESSION SPRINGS
(OD) 1.410 - 2.820

316 STAINLESS STEEL
COMPRESSION SPRINGS

HEAVY DUTY
COMPRESSION SPRINGS

CONICAL
COMPRESSION SPRINGS

MULTIWAVE
COMPRESSION SPRINGS

(OD) 0.360 - 0.390

316 STAINLESS STEEL

Catalog #	Outside Diameter (OD)		Wire Diameter (d)		Free Length (L) Approx		Load Length (L ₁)		Solid Height (Sh) Approx		Load (P) at L ₁		Spring Rate (R)	
	in	mm	in	mm	in	mm	in	mm	in	mm	lb	N	lb/in	N/mm
	C0360-055-1250-X	0.360	9.14	0.055	1.40	1.250	31.75	0.944	23.98	0.667	16.94	12.95	57.60	42.32
C0360-055-1380-X	0.360	9.14	0.055	1.40	1.380	35.05	1.039	26.39	0.724	18.39	12.95	57.60	37.98	6.65
C0360-055-1500-X	0.360	9.14	0.055	1.40	1.500	38.10	1.127	28.63	0.777	19.74	12.95	57.60	34.74	6.08
C0360-055-1750-X	0.360	9.14	0.055	1.40	1.750	44.45	1.310	33.27	0.887	22.53	12.95	57.60	29.40	5.15
C0360-055-2000-X	0.360	9.14	0.055	1.40	2.000	50.80	1.494	37.94	0.997	25.32	12.95	57.60	25.57	4.48
C0360-055-2250-X	0.360	9.14	0.055	1.40	2.250	57.15	1.676	42.58	1.107	28.12	12.95	57.60	22.57	3.96
C0360-055-2500-X	0.360	9.14	0.055	1.40	2.500	63.50	1.858	47.19	1.217	30.91	12.95	57.60	20.16	3.54
C0360-055-2750-X	0.360	9.14	0.055	1.40	2.750	69.85	2.043	51.90	1.327	33.71	12.95	57.60	18.33	3.20
C0360-055-3000-X	0.360	9.14	0.055	1.40	3.000	76.20	2.227	56.56	1.437	36.50	12.95	57.60	16.74	2.92
C0360-055-3250-X	0.360	9.14	0.055	1.40	3.250	82.55	2.410	61.21	1.547	39.29	12.95	57.60	15.41	2.70
C0360-055-3500-X	0.360	9.14	0.055	1.40	3.500	88.90	2.591	65.81	1.657	42.09	12.95	57.60	14.24	2.49
C0360-059-0440-X	0.360	9.14	0.059	1.50	0.440	11.18	0.360	9.14	0.321	8.15	15.85	70.50	198.25	34.73
C0360-059-0500-X	0.360	9.14	0.059	1.50	0.500	12.70	0.405	10.29	0.356	9.04	15.85	70.50	167.10	29.26
C0360-059-0560-X	0.360	9.14	0.059	1.50	0.560	14.22	0.450	11.44	0.388	9.86	15.85	70.50	144.44	25.29
C0360-059-0620-X	0.360	9.14	0.059	1.50	0.620	15.75	0.495	12.58	0.421	10.69	15.85	70.50	127.20	22.28
C0360-059-0690-X	0.360	9.14	0.059	1.50	0.690	17.53	0.548	13.92	0.458	11.63	15.85	70.50	111.62	19.54
C0360-059-0750-X	0.360	9.14	0.059	1.50	0.750	19.05	0.593	15.06	0.488	12.40	15.85	70.50	101.04	17.69
C0360-059-0810-X	0.360	9.14	0.059	1.50	0.810	20.57	0.638	16.21	0.517	13.13	15.85	70.50	92.30	16.16
C0360-059-0880-X	0.360	9.14	0.059	1.50	0.880	22.35	0.691	17.55	0.552	14.02	15.85	70.50	83.80	14.68
C0360-059-0940-X	0.360	9.14	0.059	1.50	0.940	23.88	0.736	18.69	0.581	14.76	15.85	70.50	77.64	13.59
C0360-059-1000-X	0.360	9.14	0.059	1.50	1.000	25.40	0.781	19.84	0.611	15.52	15.85	70.50	72.39	12.68
C0360-059-1120-X	0.360	9.14	0.059	1.50	1.120	28.45	0.871	22.13	0.670	17.02	15.85	70.50	63.72	11.16
C0360-059-1250-X	0.360	9.14	0.059	1.50	1.250	31.75	0.969	24.61	0.734	18.64	15.85	70.50	56.39	9.88
C0360-059-1380-X	0.360	9.14	0.059	1.50	1.380	35.05	1.066	27.09	0.797	20.24	15.85	70.50	50.56	8.86
C0360-059-1500-X	0.360	9.14	0.059	1.50	1.500	38.10	1.157	29.39	0.856	21.74	15.85	70.50	46.23	8.09
C0360-059-1750-X	0.360	9.14	0.059	1.50	1.750	44.45	1.345	34.16	0.979	24.87	15.85	70.50	39.15	6.86
C0360-059-2000-X	0.360	9.14	0.059	1.50	2.000	50.80	1.532	38.92	1.102	27.99	15.85	70.50	33.90	5.94
C0360-059-2250-X	0.360	9.14	0.059	1.50	2.250	57.15	1.721	43.72	1.225	31.12	15.85	70.50	29.99	5.25
C0360-059-2500-X	0.360	9.14	0.059	1.50	2.500	63.50	1.909	48.49	1.348	34.24	15.85	70.50	26.82	4.69
C0360-059-2750-X	0.360	9.14	0.059	1.50	2.750	69.85	2.096	53.24	1.471	37.36	15.85	70.50	24.24	4.24
C0360-059-3000-X	0.360	9.14	0.059	1.50	3.000	76.20	2.284	58.03	1.594	40.49	15.85	70.50	22.16	3.89
C0360-059-3250-X	0.360	9.14	0.059	1.50	3.250	82.55	2.473	62.82	1.717	43.61	15.85	70.50	20.41	3.57
C0360-059-3500-X	0.360	9.14	0.059	1.50	3.500	88.90	2.662	67.60	1.840	46.74	15.85	70.50	18.91	3.31
D22150X	0.364	9.25	0.049	1.25	0.591	15.00	0.471	11.97	0.271	6.88	160.98	36.19	68.12	11.93
D22160X	0.364	9.25	0.049	1.25	0.866	22.00	0.674	17.13	0.369	9.38	160.98	36.19	42.43	7.43
D22170X	0.364	9.25	0.049	1.25	1.299	33.00	1.006	25.55	0.517	13.13	160.98	36.19	27.75	4.86
D22180X	0.364	9.25	0.049	1.25	1.870	47.50	1.438	36.53	0.714	18.13	160.98	36.19	18.84	3.30
D22190X	0.364	9.25	0.049	1.25	2.717	69.00	2.080	52.84	1.009	25.63	160.98	36.19	12.79	2.24
D22350X	0.378	9.60	0.063	1.60	0.571	14.50	0.483	12.26	0.346	8.80	308.71	69.40	177.30	31.05
D22360X	0.378	9.60	0.063	1.60	0.846	21.50	0.708	17.99	0.472	12.00	308.71	69.40	112.89	19.77
D22370X	0.378	9.60	0.063	1.60	1.240	31.50	1.027	26.09	0.661	16.80	308.71	69.40	73.26	12.83
D22380X	0.378	9.60	0.063	1.60	1.772	45.00	1.456	36.99	0.913	23.20	308.71	69.40	49.45	8.66
D22390X	0.378	9.60	0.063	1.60	2.579	65.50	2.113	53.68	1.291	32.80	308.71	69.40	33.52	5.87
C0390-043-0500-X	0.390	9.91	0.043	1.09	0.500	12.70	0.337	8.57	0.241	6.12	6.14	27.31	37.73	6.60
C0390-043-0560-X	0.390	9.91	0.043	1.09	0.560	14.22	0.374	9.50	0.257	6.53	6.14	27.31	32.99	5.78
C0390-043-0620-X	0.390	9.91	0.043	1.09	0.620	15.75	0.410	10.42	0.273	6.93	6.14	27.31	29.24	5.11
C0390-043-0690-X	0.390	9.91	0.043	1.09	0.690	17.53	0.452	11.49	0.292	7.42	6.14	27.31	25.82	4.52
C0390-043-0750-X	0.390	9.91	0.043	1.09	0.750	19.05	0.489	12.42	0.308	7.82	6.14	27.31	23.49	4.12
C0390-043-0810-X	0.390	9.91	0.043	1.09	0.810	20.57	0.526	13.35	0.324	8.23	6.14	27.31	21.57	3.78
C0390-043-0880-X	0.390	9.91	0.043	1.09	0.880	22.35	0.568	14.42	0.343	8.71	6.14	27.31	19.66	3.45
C0390-043-0940-X	0.390	9.91	0.043	1.09	0.940	23.88	0.607	15.41	0.359	9.12	6.14	27.31	18.41	3.22
C0390-043-1000-X	0.390	9.91	0.043	1.09	1.000	25.40	0.641	16.27	0.376	9.55	6.14	27.31	17.08	2.99
C0390-043-1120-X	0.390	9.91	0.043	1.09	1.120	28.45	0.713	18.11	0.408	10.36	6.14	27.31	15.08	2.64
C0390-043-1250-X	0.390	9.91	0.043	1.09	1.250	31.75	0.792	20.13	0.443	11.25	6.14	27.31	13.41	2.35
C0390-043-1380-X	0.390	9.91	0.043	1.09	1.380	35.05	0.872	22.15	0.478	12.14	6.14	27.31	12.08	2.12
C0390-043-1500-X	0.390	9.91	0.043	1.09	1.500	38.10	0.946	24.03	0.510	12.95	6.14	27.31	11.08	1.94
C0390-043-1750-X	0.390	9.91	0.043	1.09	1.750	44.45	1.098	27.89	0.578	14.68	6.14	27.31	9.41	1.65
C0390-043-2000-X	0.390	9.91	0.043	1.09	2.000	50.80	1.248	31.71	0.645	16.38	6.14	27.31	8.16	1.44
C0390-047-0500-X	0.390	9.91	0.047	1.19	0.500	12.70	0.349	8.86	0.270	6.86	7.96	35.41	52.73	9.23
C0390-047-0560-X	0.390	9.91	0.047	1.19	0.560	14.22	0.387	9.82	0.289	7.34	7.96	35.41	45.98	8.06
C0390-047-0620-X	0.390	9.91	0.047	1.19	0.620	15.75	0.424	10.78	0.308	7.82	7.96	35.41	40.73	7.13
C0390-047-0690-X	0.390	9.91	0.047	1.19	0.690	17.53	0.468	11.89	0.330	8.38	7.96	35.41	35.90	6.29
C0390-047-0750-X	0.390	9.91	0.047	1.19	0.750	19.05	0.506	12.86	0.350	8.89	7.96	35.41	32.65	5.73
C0390-047-0810-X	0.390	9.91	0.047	1.19	0.810	20.57	0.544	13.81	0.369	9.37	7.96	35.41	29.90	5.24



316 STAINLESS STEEL

Catalog #	Outside Diameter (OD)		Wire Diameter (d)		Free Length (L) Approx		Load Length (L _f)		Solid Height (Sh) Approx		Load (P) at L _f		Spring Rate (R)	
	in	mm	in	mm	in	mm	in	mm	in	mm	lb	N	lb/in	N/mm
C0390-047-0880-X	0.390	9.91	0.047	1.19	0.880	22.35	0.588	14.93	0.391	9.93	7.96	35.41	27.24	4.76
C0390-047-0940-X	0.390	9.91	0.047	1.19	0.940	23.88	0.626	15.89	0.410	10.41	7.96	35.41	25.32	4.43
C0390-047-1000-X	0.390	9.91	0.047	1.19	1.000	25.40	0.663	16.85	0.429	10.90	7.96	35.41	23.66	4.15
C0390-047-1120-X	0.390	9.91	0.047	1.19	1.120	28.45	0.739	18.77	0.467	11.86	7.96	35.41	20.91	3.66
C0390-047-1250-X	0.390	9.91	0.047	1.19	1.250	31.75	0.819	20.81	0.508	12.90	7.96	35.41	18.49	3.24
C0390-047-1380-X	0.390	9.91	0.047	1.19	1.380	35.05	0.902	22.91	0.550	13.97	7.96	35.41	16.66	2.92
C0390-047-1500-X	0.390	9.91	0.047	1.19	1.500	38.10	0.978	24.83	0.588	14.94	7.96	35.41	15.24	2.66
C0390-047-1750-X	0.390	9.91	0.047	1.19	1.750	44.45	1.133	28.78	0.667	16.94	7.96	35.41	12.91	2.26
C0390-047-2000-X	0.390	9.91	0.047	1.19	2.000	50.80	1.292	32.81	0.747	18.97	7.96	35.41	11.25	1.98
C0420-035-0500-X	0.420	10.67	0.035	0.89	0.500	12.70	0.306	7.77	0.172	4.37	3.19	14.19	16.41	2.87
C0420-035-0620-X	0.420	10.67	0.035	0.89	0.620	15.75	0.372	9.44	0.191	4.85	3.19	14.19	12.83	2.24
C0420-035-0750-X	0.420	10.67	0.035	0.89	0.750	19.05	0.444	11.28	0.211	5.36	3.19	14.19	10.41	1.82
C0420-035-0880-X	0.420	10.67	0.035	0.89	0.880	22.35	0.516	13.10	0.231	5.87	3.19	14.19	8.75	1.54
C0420-035-1000-X	0.420	10.67	0.035	0.89	1.000	25.40	0.580	14.73	0.250	6.35	3.19	14.19	7.58	1.33
C0420-035-1250-X	0.420	10.67	0.035	0.89	1.250	31.75	0.719	18.26	0.289	7.34	3.19	14.19	6.00	1.05
C0420-035-1500-X	0.420	10.67	0.035	0.89	1.500	38.10	0.852	21.64	0.328	8.33	3.19	14.19	4.91	0.86
C0420-035-1750-X	0.420	10.67	0.035	0.89	1.750	44.45	1.000	25.40	0.367	9.32	3.19	14.19	4.25	0.75
C0420-038-0500-X	0.420	10.67	0.038	0.97	0.500	12.70	0.278	7.07	0.172	4.37	4.06	18.06	18.33	3.20
C0420-038-0560-X	0.420	10.67	0.038	0.97	0.560	14.22	0.316	8.03	0.186	4.72	4.06	18.06	16.66	2.92
C0420-038-0625-X	0.420	10.67	0.038	0.97	0.620	15.75	0.349	8.87	0.194	4.93	4.06	18.06	14.99	2.63
C0420-038-0750-X	0.420	10.67	0.038	0.97	0.750	19.05	0.414	10.51	0.223	5.66	4.06	18.06	12.08	2.12
C0420-038-0880-X	0.420	10.67	0.038	0.97	0.880	22.35	0.490	12.44	0.246	6.25	4.06	18.06	10.41	1.82
C0420-038-1000-X	0.420	10.67	0.038	0.97	1.000	25.40	0.557	14.14	0.269	6.83	4.06	18.06	9.16	1.61
C0420-038-1250-X	0.420	10.67	0.038	0.97	1.250	31.75	0.676	17.18	0.326	8.28	4.06	18.06	7.08	1.24
C0420-038-1500-X	0.420	10.67	0.038	0.97	1.500	38.10	0.823	20.90	0.372	9.45	4.06	18.06	6.00	1.05
C0420-038-1750-X	0.420	10.67	0.038	0.97	1.750	44.45	1.011	25.68	0.423	10.74	4.06	18.06	5.50	0.96
C0420-038-2000-X	0.420	10.67	0.038	0.97	2.000	50.80	1.201	30.50	0.456	11.58	4.06	18.06	5.08	0.89
C0420-038-2250-X	0.420	10.67	0.038	0.97	2.250	57.15	1.347	34.21	0.494	12.55	4.06	18.06	4.50	0.79
C0420-038-2500-X	0.420	10.67	0.038	0.97	2.500	63.50	1.484	37.70	0.532	13.51	4.06	18.06	4.00	0.70
C0420-042-0500-X	0.420	10.67	0.042	1.07	0.500	12.70	0.311	7.91	0.190	4.83	5.34	23.75	28.32	4.96
C0420-042-0560-X	0.420	10.67	0.042	1.07	0.560	14.22	0.353	8.97	0.201	5.11	5.34	23.75	25.82	4.52
C0420-042-0625-X	0.420	10.67	0.042	1.07	0.620	15.75	0.391	9.93	0.213	5.41	5.34	23.75	23.32	4.08
C0420-042-0750-X	0.420	10.67	0.042	1.07	0.750	19.05	0.459	11.65	0.248	6.30	5.34	23.75	18.33	3.20
C0420-042-0880-X	0.420	10.67	0.042	1.07	0.880	22.35	0.533	13.55	0.280	7.11	5.34	23.75	15.41	2.70
C0420-042-1000-X	0.420	10.67	0.042	1.07	1.000	25.40	0.599	15.22	0.310	7.87	5.34	23.75	13.33	2.33
C0420-042-1250-X	0.420	10.67	0.042	1.07	1.250	31.75	0.757	19.22	0.363	9.22	5.34	23.75	10.83	1.89
C0420-042-1500-X	0.420	10.67	0.042	1.07	1.500	38.10	0.889	22.59	0.429	10.90	5.34	23.75	8.75	1.54
C0420-042-1750-X	0.420	10.67	0.042	1.07	1.750	44.45	1.061	26.94	0.501	12.73	5.34	23.75	7.75	1.37
C0420-042-2000-X	0.420	10.67	0.042	1.07	2.000	50.80	1.209	30.70	0.558	14.17	5.34	23.75	6.75	1.19
C0420-042-2250-X	0.420	10.67	0.042	1.07	2.250	57.15	1.417	36.00	0.592	15.04	5.34	23.75	6.41	1.12
C0420-042-2500-X	0.420	10.67	0.042	1.07	2.500	63.50	1.571	39.90	0.630	16.00	5.34	23.75	5.75	1.02
C0420-045-0500-X	0.420	10.67	0.045	1.14	0.500	12.70	0.313	7.95	0.214	5.44	6.54	29.09	34.99	6.13
C0420-045-0625-X	0.420	10.67	0.045	1.14	0.620	15.75	0.389	9.88	0.244	6.20	6.54	29.09	28.32	4.96
C0420-045-0750-X	0.420	10.67	0.045	1.14	0.750	19.05	0.459	11.66	0.284	7.21	6.54	29.09	22.49	3.94
C0420-045-0880-X	0.420	10.67	0.045	1.14	0.880	22.35	0.539	13.68	0.318	8.08	6.54	29.09	19.16	3.36
C0420-045-1000-X	0.420	10.67	0.045	1.14	1.000	25.40	0.607	15.43	0.352	8.94	6.54	29.09	16.66	2.92
C0420-045-1250-X	0.420	10.67	0.045	1.14	1.250	31.75	0.759	19.28	0.418	10.62	6.54	29.09	13.33	2.33
C0420-045-1500-X	0.420	10.67	0.045	1.14	1.500	38.10	0.896	22.76	0.493	12.52	6.54	29.09	10.83	1.89
C0420-045-1750-X	0.420	10.67	0.045	1.14	1.750	44.45	1.084	27.55	0.563	14.30	6.54	29.09	9.83	1.72
C0420-045-2000-X	0.420	10.67	0.045	1.14	2.000	50.80	1.230	31.24	0.627	15.93	6.54	29.09	8.50	1.49
C0420-045-2250-X	0.420	10.67	0.045	1.14	2.250	57.15	1.377	34.99	0.691	17.55	6.54	29.09	7.50	1.31
C0420-045-2500-X	0.420	10.67	0.045	1.14	2.500	63.50	1.530	38.87	0.756	19.20	6.54	29.09	6.75	1.19
C0420-048-0500-X	0.420	10.67	0.048	1.22	0.500	12.70	0.347	8.81	0.261	6.63	7.73	34.38	50.48	8.84
C0420-048-0750-X	0.420	10.67	0.048	1.22	0.750	19.05	0.502	12.74	0.334	8.48	7.73	34.38	31.15	5.46
C0420-048-1000-X	0.420	10.67	0.048	1.22	1.000	25.40	0.657	16.70	0.407	10.34	7.73	34.38	22.57	3.96
C0420-048-1250-X	0.420	10.67	0.048	1.22	1.250	31.75	0.812	20.62	0.480	12.19	7.73	34.38	17.66	3.10
C0420-048-1500-X	0.420	10.67	0.048	1.22	1.500	38.10	0.966	24.55	0.552	14.02	7.73	34.38	14.49	2.54
C0420-048-1750-X	0.420	10.67	0.048	1.22	1.750	44.45	1.123	28.51	0.625	15.88	7.73	34.38	12.33	2.15
C0420-048-2000-X	0.420	10.67	0.048	1.22	2.000	50.80	1.280	32.52	0.698	17.73	7.73	34.38	10.75	1.89
C0420-051-0500-X	0.420	10.67	0.051	1.30	0.500	12.70	0.355	9.01	0.282	7.16	9.24	41.10	63.64	11.14
C0420-051-0620-X	0.420	10.67	0.051	1.30	0.620	15.75	0.431	10.95	0.321	8.15	9.24	41.10	48.90	8.56
C0420-051-0750-X	0.420	10.67	0.051	1.30	0.750	19.05	0.514	13.04	0.363	9.22	9.24	41.10	39.07	6.85
C0420-051-0880-X	0.420	10.67	0.051	1.30	0.880	22.35	0.596	15.15	0.406	10.31	9.24	41.10	32.57	5.71
C0420-051-1000-X	0.420	10.67	0.051	1.30	1.000	25.40	0.673	17.09	0.445	11.30	9.24	41.10	28.24	4.94

COMPRESSION SPRINGS
(OD) 0.047 - 0.353

COMPRESSION SPRINGS
(OD) 0.353 - 0.588

COMPRESSION SPRINGS
(OD) 0.588 - 0.970

COMPRESSION SPRINGS
(OD) 0.970 - 1.410

COMPRESSION SPRINGS
(OD) 1.410 - 2.820

316 STAINLESS STEEL
COMPRESSION SPRINGS

HEAVY DUTY
COMPRESSION SPRINGS

CONICAL
COMPRESSION SPRINGS

MULTI-WAVE
COMPRESSION SPRINGS

FOR INFORMATION ON ALTERNATIVE FINISHES, SEE PAGE 311

Part Numbers with an "*" are squared and not ground.



316 STAINLESS STEEL

Catalog #	Outside Diameter (OD)		Wire Diameter (d)		Free Length (L) Approx		Load Length (L ₁)		Solid Height (Sh) Approx		Load (P) at L ₁		Spring Rate (R)	
	in	mm	in	mm	in	mm	in	mm	in	mm	lb	N	lb/in	N/mm
C0420-051-1250-X	0.420	10.67	0.051	1.30	1.250	31.75	0.832	21.12	0.526	13.36	9.24	41.10	22.07	3.87
C0420-051-1500-X	0.420	10.67	0.051	1.30	1.500	38.10	0.989	25.12	0.607	15.42	9.24	41.10	18.08	3.17
C0420-051-1750-X	0.420	10.67	0.051	1.30	1.750	44.45	1.147	29.14	0.688	17.48	9.24	41.10	15.33	2.68
C0420-051-2000-X	0.420	10.67	0.051	1.30	2.000	50.80	1.307	33.19	0.769	19.53	9.24	41.10	13.33	2.33
C0420-051-2250-X	0.420	10.67	0.051	1.30	2.250	57.15	1.469	37.31	0.850	21.59	9.24	41.10	11.83	2.07
C0420-051-2500-X	0.420	10.67	0.051	1.30	2.500	63.50	1.627	41.32	0.932	23.67	9.24	41.10	10.58	1.86
C0420-055-0500-X	0.420	10.67	0.055	1.40	0.500	12.70	0.358	9.09	0.273	6.93	11.26	50.09	79.14	13.85
C0420-055-0625-X	0.420	10.67	0.055	1.40	0.620	15.75	0.440	11.17	0.316	8.03	11.26	50.09	62.48	10.95
C0420-055-0750-X	0.420	10.67	0.055	1.40	0.750	19.05	0.532	13.51	0.360	9.14	11.26	50.09	51.65	9.05
C0420-055-0880-X	0.420	10.67	0.055	1.40	0.880	22.35	0.620	15.75	0.408	10.36	11.26	50.09	43.32	7.58
C0420-055-1000-X	0.420	10.67	0.055	1.40	1.000	25.40	0.700	17.77	0.454	11.53	11.26	50.09	37.49	6.57
C0420-055-1250-X	0.420	10.67	0.055	1.40	1.250	31.75	0.864	21.94	0.553	14.05	11.26	50.09	29.16	5.11
C0420-055-1500-X	0.420	10.67	0.055	1.40	1.500	38.10	1.034	26.26	0.645	16.38	11.26	50.09	24.16	4.24
C0420-055-1750-X	0.420	10.67	0.055	1.40	1.750	44.45	1.198	30.43	0.772	19.61	11.26	50.09	20.41	3.57
C0420-055-2000-X	0.420	10.67	0.055	1.40	2.000	50.80	1.365	34.68	0.865	21.97	11.26	50.09	17.74	3.10
C0420-055-2250-X	0.420	10.67	0.055	1.40	2.250	57.15	1.531	38.88	0.957	24.31	11.26	50.09	15.66	2.75
C0420-055-2500-X	0.420	10.67	0.055	1.40	2.500	63.50	1.695	43.06	1.050	26.67	11.26	50.09	13.99	2.45
C0420-059-0500-X	0.420	10.67	0.059	1.50	0.500	12.70	0.379	9.62	0.322	8.18	13.82	61.47	113.87	19.95
C0420-059-0625-X	0.420	10.67	0.059	1.50	0.620	15.75	0.459	11.66	0.380	9.65	13.82	61.47	85.80	15.03
C0420-059-0750-X	0.420	10.67	0.059	1.50	0.750	19.05	0.549	13.95	0.439	11.15	13.82	61.47	68.81	12.05
C0420-059-0880-X	0.420	10.67	0.059	1.50	0.880	22.35	0.638	16.20	0.496	12.60	13.82	61.47	57.06	10.00
C0420-059-1000-X	0.420	10.67	0.059	1.50	1.000	25.40	0.720	18.28	0.546	13.87	13.82	61.47	49.31	8.63
C0420-059-1250-X	0.420	10.67	0.059	1.50	1.250	31.75	0.890	22.61	0.651	16.54	13.82	61.47	38.40	6.72
C0420-059-1500-X	0.420	10.67	0.059	1.50	1.500	38.10	1.061	26.95	0.755	19.18	13.82	61.47	31.49	5.52
C0420-059-1750-X	0.420	10.67	0.059	1.50	1.750	44.45	1.232	31.28	0.860	21.84	13.82	61.47	26.66	4.68
C0420-059-2000-X	0.420	10.67	0.059	1.50	2.000	50.80	1.401	35.59	0.965	24.51	13.82	61.47	23.07	4.05
C0420-059-2250-X	0.420	10.67	0.059	1.50	2.250	57.15	1.573	39.95	1.069	27.15	13.82	61.47	20.41	3.57
C0420-059-2500-X	0.420	10.67	0.059	1.50	2.500	63.50	1.743	44.26	1.174	29.82	13.82	61.47	18.24	3.19
C0420-063-0500-X	0.420	10.67	0.063	1.60	0.500	12.70	0.392	9.97	0.345	8.76	16.33	72.64	151.69	26.57
C0420-063-0620-X	0.420	10.67	0.063	1.60	0.620	15.75	0.478	12.14	0.416	10.57	16.33	72.64	114.87	20.12
C0420-063-0750-X	0.420	10.67	0.063	1.60	0.750	19.05	0.570	14.49	0.476	12.09	16.33	72.64	90.96	15.94
C0420-063-0880-X	0.420	10.67	0.063	1.60	0.880	22.35	0.663	16.84	0.536	13.61	16.33	72.64	75.22	13.17
C0420-063-1000-X	0.420	10.67	0.063	1.60	1.000	25.40	0.748	19.01	0.591	15.01	16.33	72.64	64.89	11.37
C0420-063-1250-X	0.420	10.67	0.063	1.60	1.250	31.75	0.926	23.53	0.706	17.93	16.33	72.64	50.48	8.84
C0420-063-1500-X	0.420	10.67	0.063	1.60	1.500	38.10	1.105	28.06	0.821	20.85	16.33	72.64	41.32	7.23
C0420-063-1750-X	0.420	10.67	0.063	1.60	1.750	44.45	1.282	32.56	0.937	23.80	16.33	72.64	34.90	6.11
C0420-063-2000-X	0.420	10.67	0.063	1.60	2.000	50.80	1.460	37.08	1.052	26.72	16.33	72.64	30.24	5.29
C0420-063-2250-X	0.420	10.67	0.063	1.60	2.250	57.15	1.639	41.64	1.167	29.64	16.33	72.64	26.74	4.68
C0420-063-2500-X	0.420	10.67	0.063	1.60	2.500	63.50	1.817	46.15	1.282	32.56	16.33	72.64	23.91	4.19
C0420-067-0750-X	0.420	10.67	0.067	1.70	0.750	19.05	0.588	14.93	0.507	12.88	19.51	86.78	120.20	21.05
C0420-067-1000-X	0.420	10.67	0.067	1.70	1.000	25.40	0.772	19.61	0.631	16.03	19.51	86.78	85.55	14.99
C0420-067-1250-X	0.420	10.67	0.067	1.70	1.250	31.75	0.956	24.29	0.755	19.18	19.51	86.78	66.39	11.63
C0420-067-1500-X	0.420	10.67	0.067	1.70	1.500	38.10	1.140	28.96	0.879	22.33	19.51	86.78	54.23	9.49
C0420-067-1750-X	0.420	10.67	0.067	1.70	1.750	44.45	1.324	33.63	1.003	25.48	19.51	86.78	45.82	8.02
C0420-067-2000-X	0.420	10.67	0.067	1.70	2.000	50.80	1.508	38.30	1.127	28.63	19.51	86.78	39.65	6.95
C0420-067-2250-X	0.420	10.67	0.067	1.70	2.250	57.15	1.692	42.98	1.251	31.78	19.51	86.78	34.99	6.13
C0420-067-2500-X	0.420	10.67	0.067	1.70	2.500	63.50	1.877	47.68	1.375	34.93	19.51	86.78	31.32	5.48
C0420-072-1000-X	0.420	10.67	0.072	1.83	1.000	25.40	0.798	20.27	0.690	17.53	23.44	104.27	115.95	20.31
C0420-072-1250-X	0.420	10.67	0.072	1.83	1.250	31.75	0.989	25.11	0.829	21.06	23.44	104.27	89.71	15.71
C0420-072-1500-X	0.420	10.67	0.072	1.83	1.500	38.10	1.180	29.97	0.967	24.56	23.44	104.27	73.22	12.82
C0420-072-1750-X	0.420	10.67	0.072	1.83	1.750	44.45	1.371	34.82	1.105	28.07	23.44	104.27	61.81	10.82
C0420-072-2000-X	0.420	10.67	0.072	1.83	2.000	50.80	1.562	39.67	1.244	31.60	23.44	104.27	53.48	9.37
C0420-072-2250-X	0.420	10.67	0.072	1.83	2.250	57.15	1.753	44.52	1.382	35.10	23.44	104.27	47.15	8.27
C0420-072-2500-X	0.420	10.67	0.072	1.83	2.500	63.50	1.944	49.38	1.521	38.63	23.44	104.27	42.15	7.39
D21800X*	0.425	10.80	0.031	0.80	0.787	20.00	0.444	11.27	0.205	5.20	38.83	8.73	5.71	1.00
D21810X*	0.425	10.80	0.031	0.80	1.181	30.00	0.635	16.14	0.268	6.80	38.83	8.73	3.60	0.63
D21820X*	0.425	10.80	0.031	0.80	1.791	45.50	0.953	24.21	0.362	9.20	38.83	8.73	2.34	0.41
D21830X*	0.425	10.80	0.031	0.80	2.598	66.00	1.326	33.67	0.488	12.40	38.83	8.73	1.54	0.27
D21840X*	0.425	10.80	0.031	0.80	3.799	96.50	1.990	50.55	0.677	17.20	38.83	8.73	1.08	0.19
D22000X	0.433	11.00	0.039	1.00	0.689	17.50	0.423	10.75	0.217	5.50	72.64	16.33	13.82	2.42
D22010X	0.433	11.00	0.039	1.00	1.024	26.00	0.606	15.40	0.295	7.50	72.64	16.33	8.79	1.54
D22020X	0.433	11.00	0.039	1.00	1.535	39.00	0.893	22.67	0.413	10.50	72.64	16.33	5.71	1.00
D22030X	0.433	11.00	0.039	1.00	2.205	56.00	1.245	31.63	0.571	14.50	72.64	16.33	3.83	0.67
D22040X	0.433	11.00	0.039	1.00	3.209	81.50	1.811	46.00	0.807	20.50	72.64	16.33	2.63	0.46

316 STAINLESS STEEL

Catalog #	Outside Diameter (OD)		Wire Diameter (d)		Free Length (L) Approx		Load Length (L _L)		Solid Height (Sh) Approx		Load (P) at L _L		Spring Rate (R)	
	in	mm	in	mm	in	mm	in	mm	in	mm	lb	N	lb/in	N/mm
D22850X	0.433	11.00	0.087	2.20	0.638	16.20	0.569	14.46	0.476	12.10	646.37	145.31	475.77	83.32
D22860X	0.433	11.00	0.087	2.20	0.906	23.00	0.798	20.26	0.650	16.50	646.37	145.31	302.30	52.94
D22870X	0.433	11.00	0.087	2.20	1.437	36.50	1.251	31.77	0.996	25.30	646.37	145.31	175.36	30.71
D22880X	0.433	11.00	0.087	2.20	2.236	56.80	1.932	49.07	1.516	38.50	646.37	145.31	107.29	18.79
D22200X	0.443	11.25	0.049	1.25	0.787	20.00	0.586	14.89	0.271	6.88	134.29	30.19	33.75	5.91
D22210X	0.443	11.25	0.049	1.25	1.161	29.50	0.845	21.47	0.369	9.38	134.29	30.19	21.47	3.76
D22220X	0.443	11.25	0.049	1.25	1.752	44.50	1.263	32.08	0.517	13.13	134.29	30.19	13.88	2.43
D22230X	0.443	11.25	0.049	1.25	2.520	64.00	1.804	45.81	0.714	18.13	134.29	30.19	9.48	1.66
D22240X	0.443	11.25	0.049	1.25	3.681	93.50	2.620	66.54	1.009	25.63	134.29	30.19	6.40	1.12
C0455-039-0500-X	0.455	11.56	0.039	0.99	0.500	12.70	0.309	7.86	0.187	4.75	4.06	18.06	21.32	3.73
C0455-039-0620-X	0.455	11.56	0.039	0.99	0.620	15.75	0.375	9.52	0.207	5.26	4.06	18.06	16.58	2.91
C0455-039-0750-X	0.455	11.56	0.039	0.99	0.750	19.05	0.447	11.35	0.229	5.82	4.06	18.06	13.41	2.35
C0455-039-0880-X	0.455	11.56	0.039	0.99	0.880	22.35	0.519	13.17	0.251	6.38	4.06	18.06	11.25	1.98
C0455-039-1000-X	0.455	11.56	0.039	0.99	1.000	25.40	0.583	14.81	0.271	6.88	4.06	18.06	9.75	1.72
C0455-039-1250-X	0.455	11.56	0.039	0.99	1.250	31.75	0.720	18.28	0.312	7.92	4.06	18.06	7.66	1.35
C0455-039-1500-X	0.455	11.56	0.039	0.99	1.500	38.10	0.858	21.80	0.354	8.99	4.06	18.06	6.33	1.10
C0455-039-1750-X	0.455	11.56	0.039	0.99	1.750	44.45	1.000	25.39	0.396	10.06	4.06	18.06	5.41	0.95
C0455-046-0500-X	0.455	11.56	0.046	1.17	0.500	12.70	0.330	8.37	0.233	5.92	6.47	28.78	37.98	6.65
C0455-046-0620-X	0.455	11.56	0.046	1.17	0.620	15.75	0.400	10.16	0.261	6.63	6.47	28.78	29.40	5.15
C0455-046-0750-X	0.455	11.56	0.046	1.17	0.750	19.05	0.475	12.08	0.291	7.39	6.47	28.78	23.57	4.13
C0455-046-0880-X	0.455	11.56	0.046	1.17	0.880	22.35	0.551	13.99	0.321	8.15	6.47	28.78	19.66	3.45
C0455-046-1000-X	0.455	11.56	0.046	1.17	1.000	25.40	0.621	15.77	0.349	8.86	6.47	28.78	17.08	2.99
C0455-046-1250-X	0.455	11.56	0.046	1.17	1.250	31.75	0.767	19.49	0.407	10.34	6.47	28.78	13.41	2.35
C0455-046-1500-X	0.455	11.56	0.046	1.17	1.500	38.10	0.911	23.15	0.465	11.81	6.47	28.78	11.00	1.93
C0455-046-1750-X	0.455	11.56	0.046	1.17	1.750	44.45	1.056	26.83	0.523	13.28	6.47	28.78	9.33	1.63
D22400X	0.457	11.60	0.063	1.60	0.728	18.50	0.583	14.82	0.346	8.80	260.75	58.62	90.96	15.93
D22410X	0.457	11.60	0.063	1.60	1.063	27.00	0.835	21.21	0.472	12.00	260.75	58.62	57.84	10.13
D22420X	0.457	11.60	0.063	1.60	1.594	40.50	1.243	31.56	0.661	16.80	260.75	58.62	37.46	6.56
D22430X	0.457	11.60	0.063	1.60	2.303	58.50	1.783	45.30	0.913	23.20	260.75	58.62	25.35	4.44
D22440X	0.457	11.60	0.063	1.60	3.346	85.00	2.580	65.52	1.291	32.80	260.75	58.62	17.19	3.01
D22600X	0.472	12.00	0.079	2.00	0.709	18.00	0.602	15.30	0.433	11.00	466.08	104.78	221.55	38.80
D22610X	0.472	12.00	0.079	2.00	1.043	26.50	0.877	22.27	0.591	15.00	466.08	104.78	141.33	24.75
D22620X	0.472	12.00	0.079	2.00	1.516	38.50	1.258	31.96	0.827	21.00	466.08	104.78	91.42	16.01
D22630X	0.472	12.00	0.079	2.00	2.165	55.00	1.785	45.35	1.142	29.00	466.08	104.78	62.01	10.86
D22640X	0.472	12.00	0.079	2.00	3.130	79.50	2.568	65.22	1.614	41.00	466.08	104.78	41.91	7.34
C0480-035-0500-X	0.480	12.19	0.035	0.89	0.500	12.70	0.286	7.26	0.160	4.06	2.80	12.46	13.08	2.29
C0480-035-0620-X	0.480	12.19	0.035	0.89	0.620	15.75	0.344	8.74	0.175	4.45	2.80	12.46	10.16	1.79
C0480-035-0750-X	0.480	12.19	0.035	0.89	0.750	19.05	0.410	10.42	0.192	4.88	2.80	12.46	8.25	1.45
C0480-035-0880-X	0.480	12.19	0.035	0.89	0.880	22.35	0.475	12.06	0.208	5.28	2.80	12.46	6.91	1.21
C0480-035-1000-X	0.480	12.19	0.035	0.89	1.000	25.40	0.533	13.53	0.223	5.66	2.80	12.46	6.00	1.05
C0480-035-1250-X	0.480	12.19	0.035	0.89	1.250	31.75	0.660	16.76	0.255	6.48	2.80	12.46	4.75	0.84
C0480-035-1500-X	0.480	12.19	0.035	0.89	1.500	38.10	0.784	19.92	0.287	7.29	2.80	12.46	3.92	0.68
C0480-035-1750-X	0.480	12.19	0.035	0.89	1.750	44.45	0.909	23.09	0.319	8.10	2.80	12.46	3.33	0.58
C0480-035-2000-X	0.480	12.19	0.035	0.89	2.000	50.80	1.039	26.39	0.351	8.92	2.80	12.46	2.92	0.51
C0480-035-2500-X	0.480	12.19	0.035	0.89	2.500	63.50	1.299	32.99	0.414	10.52	2.80	12.46	2.33	0.40
C0480-035-3000-X	0.480	12.19	0.035	0.89	3.000	76.20	1.538	39.05	0.478	12.14	2.80	12.46	1.92	0.33
C0480-038-0500-X	0.480	12.19	0.038	0.97	0.500	12.70	0.285	7.25	0.144	3.66	3.57	15.88	16.66	2.92
C0480-038-0625-X	0.480	12.19	0.038	0.97	0.620	15.75	0.334	8.48	0.167	4.24	3.57	15.88	12.50	2.19
C0480-038-0750-X	0.480	12.19	0.038	0.97	0.750	19.05	0.407	10.33	0.185	4.70	3.57	15.88	10.41	1.82
C0480-038-0880-X	0.480	12.19	0.038	0.97	0.880	22.35	0.471	11.97	0.207	5.26	3.57	15.88	8.75	1.54
C0480-038-1000-X	0.480	12.19	0.038	0.97	1.000	25.40	0.548	13.93	0.220	5.59	3.57	15.88	7.91	1.38
C0480-038-1250-X	0.480	12.19	0.038	0.97	1.250	31.75	0.678	17.22	0.259	6.58	3.57	15.88	6.25	1.10
C0480-038-1500-X	0.480	12.19	0.038	0.97	1.500	38.10	0.785	19.93	0.305	7.75	3.57	15.88	5.00	0.88
C0480-038-1750-X	0.480	12.19	0.038	0.97	1.750	44.45	0.970	24.63	0.352	8.94	3.57	15.88	4.58	0.81
C0480-038-2000-X	0.480	12.19	0.038	0.97	2.000	50.80	1.106	28.09	0.388	9.86	3.57	15.88	4.00	0.70
C0480-038-2250-X	0.480	12.19	0.038	0.97	2.250	57.15	1.337	33.96	0.397	10.08	3.57	15.88	3.92	0.68
C0480-038-2500-X	0.480	12.19	0.038	0.97	2.500	63.50	1.478	37.55	0.429	10.90	3.57	15.88	3.50	0.61
C0480-038-2750-X	0.480	12.19	0.038	0.97	2.750	69.85	1.621	41.16	0.462	11.73	3.57	15.88	3.17	0.56
C0480-038-3000-X	0.480	12.19	0.038	0.97	3.000	76.20	1.774	45.06	0.494	12.55	3.57	15.88	2.92	0.51
C0480-042-0500-X	0.480	12.19	0.042	1.07	0.500	12.70	0.298	7.58	0.167	4.24	4.70	20.91	23.32	4.08
C0480-042-0625-X	0.480	12.19	0.042	1.07	0.620	15.75	0.351	8.92	0.194	4.93	4.70	20.91	17.49	3.06
C0480-042-0750-X	0.480	12.19	0.042	1.07	0.750	19.05	0.436	11.08	0.213	5.41	4.70	20.91	14.99	2.63
C0480-042-0880-X	0.480	12.19	0.042	1.07	0.880	22.35	0.504	12.79	0.239	6.07	4.70	20.91	12.50	2.19
C0480-042-1000-X	0.480	12.19	0.042	1.07	1.000	25.40	0.566	14.37	0.263	6.68	4.70	20.91	10.83	1.89

COMPRESSION SPRINGS
(OD) 0.433 - 0.533

COMPRESSION SPRINGS
(OD) 0.583 - 0.598

COMPRESSION SPRINGS
(OD) 0.588 - 0.970

COMPRESSION SPRINGS
(OD) 0.970 - 1.410

COMPRESSION SPRINGS
(OD) 1.410 - 2.820

316 STAINLESS STEEL
COMPRESSION SPRINGS

HEAVY DUTY
COMPRESSION SPRINGS

CONICAL
COMPRESSION SPRINGS

MULTI-WAVE
COMPRESSION SPRINGS



316 STAINLESS STEEL

Catalog #	Outside Diameter (OD)		Wire Diameter (d)		Free Length (L) Approx		Load Length (L _f)		Solid Height (Sh) Approx		Load (P) at L _f		Spring Rate (R)	
	in	mm	in	mm	in	mm	in	mm	in	mm	lb	N	lb/in	N/mm
C0480-042-1250-X	0.480	12.19	0.042	1.07	1.250	31.75	0.685	17.41	0.317	8.05	4.70	20.91	8.33	1.45
C0480-042-1500-X	0.480	12.19	0.042	1.07	1.500	38.10	0.836	21.23	0.358	9.09	4.70	20.91	7.08	1.24
C0480-042-1750-X	0.480	12.19	0.042	1.07	1.750	44.45	1.017	25.82	0.418	10.62	4.70	20.91	6.41	1.12
C0480-042-2000-X	0.480	12.19	0.042	1.07	2.000	50.80	1.157	29.39	0.462	11.73	4.70	20.91	5.58	0.98
C0480-042-2250-X	0.480	12.19	0.042	1.07	2.250	57.15	1.293	32.84	0.505	12.83	4.70	20.91	4.91	0.86
C0480-042-2500-X	0.480	12.19	0.042	1.07	2.500	63.50	1.509	38.34	0.520	13.21	4.70	20.91	4.75	0.84
C0480-042-2750-X	0.480	12.19	0.042	1.07	2.750	69.85	1.643	41.73	0.561	14.25	4.70	20.91	4.25	0.75
C0480-042-3000-X	0.480	12.19	0.042	1.07	3.000	76.20	1.798	45.68	0.602	15.29	4.70	20.91	3.92	0.68
C0480-045-0500-X	0.480	12.19	0.045	1.14	0.500	12.70	0.302	7.68	0.185	4.70	5.77	25.67	29.16	5.11
C0480-045-0625-X	0.480	12.19	0.045	1.14	0.620	15.75	0.373	9.47	0.209	5.31	5.77	25.67	23.32	4.08
C0480-045-0750-X	0.480	12.19	0.045	1.14	0.750	19.05	0.435	11.06	0.242	6.15	5.77	25.67	18.33	3.20
C0480-045-0880-X	0.480	12.19	0.045	1.14	0.880	22.35	0.516	13.10	0.266	6.76	5.77	25.67	15.83	2.77
C0480-045-1000-X	0.480	12.19	0.045	1.14	1.000	25.40	0.593	15.06	0.287	7.29	5.77	25.67	14.16	2.49
C0480-045-1250-X	0.480	12.19	0.045	1.14	1.250	31.75	0.717	18.22	0.348	8.84	5.77	25.67	10.83	1.89
C0480-045-1500-X	0.480	12.19	0.045	1.14	1.500	38.10	0.871	22.11	0.395	10.03	5.77	25.67	9.16	1.61
C0480-045-1750-X	0.480	12.19	0.045	1.14	1.750	44.45	1.029	26.13	0.469	11.91	5.77	25.67	8.00	1.40
C0480-045-2000-X	0.480	12.19	0.045	1.14	2.000	50.80	1.176	29.87	0.520	13.21	5.77	25.67	7.00	1.23
C0480-045-2250-X	0.480	12.19	0.045	1.14	2.250	57.15	1.314	33.39	0.570	14.48	5.77	25.67	6.16	1.09
C0480-045-2500-X	0.480	12.19	0.045	1.14	2.500	63.50	1.451	36.86	0.620	15.75	5.77	25.67	5.50	0.96
C0480-045-2750-X	0.480	12.19	0.045	1.14	2.750	69.85	1.596	40.54	0.671	17.04	5.77	25.67	5.00	0.88
C0480-045-3000-X	0.480	12.19	0.045	1.14	3.000	76.20	1.741	44.23	0.721	18.31	5.77	25.67	4.58	0.81
C0480-051-0500-X	0.480	12.19	0.051	1.30	0.500	12.70	0.340	8.64	0.255	6.48	8.16	36.30	51.06	8.95
C0480-051-0620-X	0.480	12.19	0.051	1.30	0.620	15.75	0.412	10.47	0.286	7.26	8.16	36.30	39.23	6.86
C0480-051-0750-X	0.480	12.19	0.051	1.30	0.750	19.05	0.490	12.45	0.320	8.13	8.16	36.30	31.40	5.50
C0480-051-0880-X	0.480	12.19	0.051	1.30	0.880	22.35	0.568	14.43	0.353	8.97	8.16	36.30	26.16	4.59
C0480-051-1000-X	0.480	12.19	0.051	1.30	1.000	25.40	0.640	16.26	0.384	9.75	8.16	36.30	22.66	3.98
C0480-051-1250-X	0.480	12.19	0.051	1.30	1.250	31.75	0.790	20.07	0.448	11.38	8.16	36.30	17.74	3.10
C0480-051-1500-X	0.480	12.19	0.051	1.30	1.500	38.10	0.941	23.89	0.513	13.03	8.16	36.30	14.58	2.56
C0480-051-1750-X	0.480	12.19	0.051	1.30	1.750	44.45	1.088	27.65	0.577	14.66	8.16	36.30	12.33	2.15
C0480-051-2000-X	0.480	12.19	0.051	1.30	2.000	50.80	1.241	31.52	0.641	16.28	8.16	36.30	10.75	1.89
C0480-051-2250-X	0.480	12.19	0.051	1.30	2.250	57.15	1.391	35.34	0.706	17.93	8.16	36.30	9.50	1.66
C0480-051-2500-X	0.480	12.19	0.051	1.30	2.500	63.50	1.540	39.12	0.770	19.56	8.16	36.30	8.50	1.49
C0480-051-2750-X	0.480	12.19	0.051	1.30	2.750	69.85	1.686	42.82	0.834	21.18	8.16	36.30	7.66	1.35
C0480-051-3000-X	0.480	12.19	0.051	1.30	3.000	76.20	1.834	46.59	0.899	22.83	8.16	36.30	7.00	1.23
C0480-055-0500-X	0.480	12.19	0.055	1.40	0.500	12.70	0.334	8.48	0.246	6.25	9.95	44.26	59.98	10.51
C0480-055-0625-X	0.480	12.19	0.055	1.40	0.620	15.75	0.407	10.33	0.285	7.24	9.95	44.26	46.65	8.18
C0480-055-0750-X	0.480	12.19	0.055	1.40	0.750	19.05	0.496	12.59	0.319	8.10	9.95	44.26	39.15	6.86
C0480-055-0880-X	0.480	12.19	0.055	1.40	0.880	22.35	0.566	14.36	0.368	9.35	9.95	44.26	31.65	5.55
C0480-055-1000-X	0.480	12.19	0.055	1.40	1.000	25.40	0.659	16.73	0.391	9.93	9.95	44.26	29.16	5.11
C0480-055-1250-X	0.480	12.19	0.055	1.40	1.250	31.75	0.807	20.51	0.474	12.04	9.95	44.26	22.49	3.94
C0480-055-1500-X	0.480	12.19	0.055	1.40	1.500	38.10	0.957	24.30	0.557	14.15	9.95	44.26	18.33	3.20
C0480-055-1750-X	0.480	12.19	0.055	1.40	1.750	44.45	1.134	28.80	0.651	16.54	9.95	44.26	16.16	2.84
C0480-055-2000-X	0.480	12.19	0.055	1.40	2.000	50.80	1.289	32.73	0.725	18.42	9.95	44.26	13.99	2.45
C0480-055-2250-X	0.480	12.19	0.055	1.40	2.250	57.15	1.448	36.78	0.799	20.29	9.95	44.26	12.41	2.17
C0480-055-2500-X	0.480	12.19	0.055	1.40	2.500	63.50	1.602	40.68	0.874	22.20	9.95	44.26	11.08	1.94
C0480-055-2750-X	0.480	12.19	0.055	1.40	2.750	69.85	1.802	45.76	0.911	23.14	9.95	44.26	10.50	1.84
C0480-055-3000-X	0.480	12.19	0.055	1.40	3.000	76.20	1.961	49.81	0.981	24.92	9.95	44.26	9.58	1.68
C0480-059-0500-X	0.480	12.19	0.059	1.50	0.500	12.70	0.363	9.22	0.305	7.75	12.23	54.40	89.30	15.64
C0480-059-0620-X	0.480	12.19	0.059	1.50	0.620	15.75	0.440	11.18	0.346	8.79	12.23	54.40	67.97	11.91
C0480-059-0750-X	0.480	12.19	0.059	1.50	0.750	19.05	0.524	13.30	0.390	9.91	12.23	54.40	53.98	9.46
C0480-059-1000-X	0.480	12.19	0.059	1.50	1.000	25.40	0.684	17.37	0.474	12.04	12.23	54.40	38.65	6.78
C0480-059-1250-X	0.480	12.19	0.059	1.50	1.250	31.75	0.845	21.45	0.558	14.17	12.23	54.40	30.15	5.29
C0480-059-1500-X	0.480	12.19	0.059	1.50	1.500	38.10	1.004	25.51	0.642	16.31	12.23	54.40	24.66	4.33
C0480-059-1750-X	0.480	12.19	0.059	1.50	1.750	44.45	1.165	29.60	0.726	18.44	12.23	54.40	20.91	3.66
C0480-059-2000-X	0.480	12.19	0.059	1.50	2.000	50.80	1.327	33.70	0.810	20.57	12.23	54.40	18.16	3.19
C0480-059-2250-X	0.480	12.19	0.059	1.50	2.250	57.15	1.486	37.73	0.894	22.71	12.23	54.40	15.99	2.80
C0480-059-2500-X	0.480	12.19	0.059	1.50	2.500	63.50	1.647	41.83	0.978	24.84	12.23	54.40	14.33	2.50
C0480-059-2750-X	0.480	12.19	0.059	1.50	2.750	69.85	1.809	45.95	1.062	26.97	12.23	54.40	12.99	2.28
C0480-059-3000-X	0.480	12.19	0.059	1.50	3.000	76.20	1.966	49.95	1.146	29.11	12.23	54.40	11.83	2.07
C0480-063-0500-X	0.480	12.19	0.063	1.60	0.500	12.70	0.355	9.02	0.296	7.52	14.47	64.37	99.96	17.51
C0480-063-0625-X	0.480	12.19	0.063	1.60	0.620	15.75	0.437	11.10	0.342	8.69	14.47	64.37	79.14	13.85
C0480-063-0750-X	0.480	12.19	0.063	1.60	0.750	19.05	0.527	13.39	0.388	9.86	14.47	64.37	64.97	11.38
C0480-063-0880-X	0.480	12.19	0.063	1.60	0.880	22.35	0.617	15.67	0.436	11.07	14.47	64.37	54.98	9.63
C0480-063-1000-X	0.480	12.19	0.063	1.60	1.000	25.40	0.695	17.66	0.485	12.32	14.47	64.37	47.48	8.32



316 STAINLESS STEEL

Catalog #	Outside Diameter (OD)		Wire Diameter (d)		Free Length (L) Approx		Load Length (L _f)		Solid Height (Sh) Approx		Load (P) at L _f		Spring Rate (R)	
	in	mm	in	mm	in	mm	in	mm	in	mm	lb	N	lb/in	N/mm
C0480-063-1250-X	0.480	12.19	0.063	1.60	1.250	31.75	0.864	21.94	0.582	14.78	14.47	64.37	37.49	6.57
C0480-063-1380-X	0.480	12.19	0.063	1.60	1.380	35.05	0.973	24.72	0.655	16.64	14.47	64.37	35.57	6.23
C0480-063-1500-X	0.480	12.19	0.063	1.60	1.500	38.10	1.043	26.49	0.665	16.89	14.47	64.37	31.65	5.55
C0480-063-1750-X	0.480	12.19	0.063	1.60	1.750	44.45	1.210	30.75	0.801	20.35	14.47	64.37	26.82	4.69
C0480-063-2000-X	0.480	12.19	0.063	1.60	2.000	50.80	1.377	34.98	0.895	22.73	14.47	64.37	23.24	4.06
C0480-063-2250-X	0.480	12.19	0.063	1.60	2.250	57.15	1.544	39.21	0.989	25.12	14.47	64.37	20.49	3.59
C0480-063-2500-X	0.480	12.19	0.063	1.60	2.500	63.50	1.710	43.44	1.083	27.51	14.47	64.37	18.33	3.20
C0480-063-2750-X	0.480	12.19	0.063	1.60	2.750	69.85	1.877	47.68	1.177	29.90	14.47	64.37	16.58	2.91
C0480-063-3000-X	0.480	12.19	0.063	1.60	3.000	76.20	2.045	51.96	1.271	32.28	14.47	64.37	15.16	2.66
C0480-067-0500-X	0.480	12.19	0.067	1.70	0.500	12.70	0.385	9.78	0.336	8.53	17.31	77.00	150.52	26.36
C0480-067-0620-X	0.480	12.19	0.067	1.70	0.620	15.75	0.467	11.87	0.403	10.24	17.31	77.00	113.37	19.86
C0480-067-0750-X	0.480	12.19	0.067	1.70	0.750	19.05	0.556	14.13	0.458	11.63	17.31	77.00	89.46	15.67
C0480-067-0880-X	0.480	12.19	0.067	1.70	0.880	22.35	0.646	16.40	0.512	13.00	17.31	77.00	73.89	12.94
C0480-067-1000-X	0.480	12.19	0.067	1.70	1.000	25.40	0.728	18.49	0.562	14.27	17.31	77.00	63.64	11.14
C0480-067-1250-X	0.480	12.19	0.067	1.70	1.250	31.75	0.900	22.85	0.666	16.92	17.31	77.00	49.40	8.65
C0480-067-1500-X	0.480	12.19	0.067	1.70	1.500	38.10	1.071	27.19	0.770	19.56	17.31	77.00	40.32	7.06
C0480-067-1750-X	0.480	12.19	0.067	1.70	1.750	44.45	1.242	31.54	0.874	22.20	17.31	77.00	34.07	5.97
C0480-067-2000-X	0.480	12.19	0.067	1.70	2.000	50.80	1.413	35.89	0.978	24.84	17.31	77.00	29.49	5.17
C0480-067-2250-X	0.480	12.19	0.067	1.70	2.250	57.15	1.586	40.28	1.082	27.48	17.31	77.00	26.07	4.57
C0480-067-2500-X	0.480	12.19	0.067	1.70	2.500	63.50	1.758	44.65	1.187	30.15	17.31	77.00	23.32	4.08
C0480-067-2750-X	0.480	12.19	0.067	1.70	2.750	69.85	1.929	48.99	1.291	32.79	17.31	77.00	21.07	3.70
C0480-067-3000-X	0.480	12.19	0.067	1.70	3.000	76.20	2.100	53.35	1.395	35.43	17.31	77.00	19.24	3.36
C0480-072-0500-X	0.480	12.19	0.072	1.83	0.500	12.70	0.402	10.21	0.358	9.09	20.84	92.70	212.91	37.28
C0480-072-0620-X	0.480	12.19	0.072	1.83	0.620	15.75	0.489	12.43	0.419	10.64	20.84	92.70	159.27	27.90
C0480-072-0750-X	0.480	12.19	0.072	1.83	0.750	19.05	0.583	14.82	0.485	12.32	20.84	92.70	125.12	21.91
C0480-072-0880-X	0.480	12.19	0.072	1.83	0.880	22.35	0.678	17.22	0.547	13.89	20.84	92.70	103.04	18.04
C0480-072-1000-X	0.480	12.19	0.072	1.83	1.000	25.40	0.765	19.42	0.601	15.27	20.84	92.70	88.55	15.52
C0480-072-1250-X	0.480	12.19	0.072	1.83	1.250	31.75	0.946	24.03	0.714	18.14	20.84	92.70	68.56	12.01
C0480-072-1500-X	0.480	12.19	0.072	1.83	1.500	38.10	1.127	28.63	0.826	20.98	20.84	92.70	55.89	9.79
C0480-072-1750-X	0.480	12.19	0.072	1.83	1.750	44.45	1.309	33.24	0.939	23.85	20.84	92.70	47.23	8.27
C0480-072-2000-X	0.480	12.19	0.072	1.83	2.000	50.80	1.490	37.83	1.051	26.70	20.84	92.70	40.82	7.15
C0480-072-2250-X	0.480	12.19	0.072	1.83	2.250	57.15	1.671	42.44	1.164	29.57	20.84	92.70	35.99	6.30
C0480-072-2500-X	0.480	12.19	0.072	1.83	2.500	63.50	1.852	47.04	1.276	32.41	20.84	92.70	32.15	5.64
C0480-072-2750-X	0.480	12.19	0.072	1.83	2.750	69.85	2.033	51.65	1.389	35.28	20.84	92.70	29.07	5.10
C0480-072-3000-X	0.480	12.19	0.072	1.83	3.000	76.20	2.216	56.28	1.501	38.13	20.84	92.70	26.57	4.66
C0480-072-3250-X	0.480	12.19	0.072	1.83	3.250	82.55	2.396	60.87	1.614	41.00	20.84	92.70	24.41	4.27
C0480-072-3500-X	0.480	12.19	0.072	1.83	3.500	88.90	2.577	65.46	1.726	43.84	20.84	92.70	22.57	3.96
C0480-074-0500-X	0.480	12.19	0.074	1.88	0.500	12.70	0.406	10.32	0.350	8.89	22.55	100.31	240.82	42.17
C0480-074-0620-X	0.480	12.19	0.074	1.88	0.620	15.75	0.494	12.56	0.421	10.69	22.55	100.31	179.59	31.45
C0480-074-0750-X	0.480	12.19	0.074	1.88	0.750	19.05	0.590	14.98	0.482	12.24	22.55	100.31	140.86	24.68
C0480-074-0880-X	0.480	12.19	0.074	1.88	0.880	22.35	0.685	17.40	0.546	13.87	22.55	100.31	115.79	20.28
C0480-074-1000-X	0.480	12.19	0.074	1.88	1.000	25.40	0.773	19.64	0.610	15.49	22.55	100.31	99.46	17.43
C0480-074-1250-X	0.480	12.19	0.074	1.88	1.250	31.75	0.957	24.30	0.734	18.64	22.55	100.31	76.89	13.47
C0480-074-1500-X	0.480	12.19	0.074	1.88	1.500	38.10	1.140	28.97	0.855	21.72	22.55	100.31	62.72	10.98
C0480-074-1750-X	0.480	12.19	0.074	1.88	1.750	44.45	1.324	33.62	0.972	24.69	22.55	100.31	52.90	9.26
C0480-074-2000-X	0.480	12.19	0.074	1.88	2.000	50.80	1.508	38.30	1.089	27.66	22.55	100.31	45.82	8.02
C0480-074-2250-X	0.480	12.19	0.074	1.88	2.250	57.15	1.691	42.94	1.206	30.63	22.55	100.31	40.32	7.06
C0480-074-2500-X	0.480	12.19	0.074	1.88	2.500	63.50	1.875	47.62	1.324	33.63	22.55	100.31	36.07	6.32
C0480-074-2750-X	0.480	12.19	0.074	1.88	2.750	69.85	2.058	52.26	1.441	36.60	22.55	100.31	32.57	5.71
C0480-074-3000-X	0.480	12.19	0.074	1.88	3.000	76.20	2.242	56.94	1.558	39.57	22.55	100.31	29.74	5.20
C0480-074-3250-X	0.480	12.19	0.074	1.88	3.250	82.55	2.425	61.58	1.675	42.55	22.55	100.31	27.32	4.78
C0480-074-3500-X	0.480	12.19	0.074	1.88	3.500	88.90	2.609	66.28	1.792	45.52	22.55	100.31	25.32	4.43
C0480-081-0500-X	0.480	12.19	0.081	2.06	0.500	12.70	0.423	10.75	0.379	9.63	28.56	127.04	372.10	65.16
C0480-081-0620-X	0.480	12.19	0.081	2.06	0.620	15.75	0.516	13.11	0.458	11.63	28.56	127.04	274.64	48.09
C0480-081-0750-X	0.480	12.19	0.081	2.06	0.750	19.05	0.616	15.66	0.526	13.36	28.56	127.04	213.91	37.46
C0480-081-0880-X	0.480	12.19	0.081	2.06	0.880	22.35	0.717	18.21	0.598	15.19	28.56	127.04	175.18	30.68
C0480-081-1000-X	0.480	12.19	0.081	2.06	1.000	25.40	0.810	20.57	0.669	16.99	28.56	127.04	150.11	26.29
C0480-081-1250-X	0.480	12.19	0.081	2.06	1.250	31.75	1.003	25.47	0.808	20.52	28.56	127.04	115.62	20.24
C0480-081-1500-X	0.480	12.19	0.081	2.06	1.500	38.10	1.196	30.39	0.942	23.93	28.56	127.04	94.05	16.48
C0480-081-1750-X	0.480	12.19	0.081	2.06	1.750	44.45	1.389	35.29	1.073	27.25	28.56	127.04	79.22	13.87
C0480-081-2000-X	0.480	12.19	0.081	2.06	2.000	50.80	1.583	40.20	1.204	30.58	28.56	127.04	68.47	12.00
C0480-081-2250-X	0.480	12.19	0.081	2.06	2.250	57.15	1.776	45.10	1.334	33.88	28.56	127.04	60.23	10.54
C0480-081-2500-X	0.480	12.19	0.081	2.06	2.500	63.50	1.969	50.02	1.465	37.21	28.56	127.04	53.81	9.42
C0480-081-2750-X	0.480	12.19	0.081	2.06	2.750	69.85	2.162	54.91	1.595	40.51	28.56	127.04	48.56	8.51

COMPRESSION SPRINGS
(OD) 0.047 - 0.353

COMPRESSION SPRINGS
(OD) 0.353 - 0.588

COMPRESSION SPRINGS
(OD) 0.588 - 0.970

COMPRESSION SPRINGS
(OD) 0.970 - 1.410

COMPRESSION SPRINGS
(OD) 1.410 - 2.820

316 STAINLESS STEEL
COMPRESSION SPRINGS

HEAVY DUTY
COMPRESSION SPRINGS

CONICAL
COMPRESSION SPRINGS

MULTIWAVE
COMPRESSION SPRINGS

(OD) 0.480 - 0.600

316 STAINLESS STEEL

Catalog #	Outside Diameter (OD)		Wire Diameter (d)		Free Length (L) Approx		Load Length (L _i)		Solid Height (Sh) Approx		Load (P) at L _i		Spring Rate (R)	
	in	mm	in	mm	in	mm	in	mm	in	mm	lb	N	lb/in	N/mm
C0480-081-3000-X	0.480	12.19	0.081	2.06	3.000	76.20	2.355	59.83	1.726	43.84	28.56	127.04	44.32	7.76
C0480-081-3250-X	0.480	12.19	0.081	2.06	3.250	82.55	2.549	64.74	1.857	47.17	28.56	127.04	40.73	7.13
C0480-081-3500-X	0.480	12.19	0.081	2.06	3.500	88.90	2.741	69.63	1.987	50.47	28.56	127.04	37.65	6.60
D22050X	0.531	13.50	0.039	1.00	0.945	24.00	0.519	13.18	0.217	5.50	59.70	13.42	7.08	1.24
D22060X	0.531	13.50	0.039	1.00	1.437	36.50	0.768	19.51	0.295	7.50	59.70	13.42	4.51	0.79
D22070X	0.531	13.50	0.039	1.00	2.185	55.50	1.149	29.19	0.413	10.50	59.70	13.42	2.91	0.51
D22080X	0.531	13.50	0.039	1.00	3.169	80.50	1.615	41.03	0.571	14.50	59.70	13.42	1.94	0.34
D22090X	0.531	13.50	0.039	1.00	4.528	115.00	2.230	56.65	0.807	20.50	59.70	13.42	1.31	0.23
D22250X	0.541	13.75	0.049	1.25	1.063	27.00	0.737	18.73	0.271	6.88	111.12	24.98	17.24	3.02
D22260X	0.541	13.75	0.049	1.25	1.634	41.50	1.122	28.49	0.369	9.38	111.12	24.98	10.96	1.92
D22270X	0.541	13.75	0.049	1.25	2.461	62.50	1.667	42.35	0.517	13.13	111.12	24.98	7.08	1.24
D22280X	0.541	13.75	0.049	1.25	3.563	90.50	2.406	61.11	0.714	18.13	111.12	24.98	4.85	0.85
D22290X	0.541	13.75	0.049	1.25	5.118	130.00	3.393	86.18	1.009	25.63	111.12	24.98	3.25	0.57
D23190X	0.551	14.00	0.110	2.80	0.807	20.50	0.724	18.40	0.606	15.40	992.89	223.21	606.42	106.20
D23200X	0.551	14.00	0.110	2.80	1.142	29.00	0.974	24.74	0.827	21.00	992.89	223.21	298.98	52.36
D23210X	0.551	14.00	0.110	2.80	1.807	45.90	1.582	40.18	1.268	32.20	992.89	223.21	222.98	39.05
D23220X	0.551	14.00	0.110	2.80	2.811	71.40	2.444	62.07	1.929	49.00	992.89	223.21	136.64	23.93
D22450X	0.555	14.10	0.063	1.60	0.945	24.00	0.708	17.98	0.346	8.80	217.78	48.96	46.42	8.13
D22460X	0.555	14.10	0.063	1.60	1.417	36.00	1.046	26.57	0.472	12.00	217.78	48.96	29.64	5.19
D22470X	0.555	14.10	0.063	1.60	2.106	53.50	1.534	38.97	0.661	16.80	217.78	48.96	19.24	3.37
D22480X	0.555	14.10	0.063	1.60	3.071	78.00	2.222	56.43	0.913	23.20	217.78	48.96	12.96	2.27
D22490X	0.555	14.10	0.063	1.60	4.528	115.00	3.268	83.00	1.291	32.80	217.78	48.96	8.74	1.53
D22650X	0.571	14.50	0.079	2.00	0.886	22.50	0.711	18.06	0.433	11.00	393.67	88.50	113.80	19.93
D22660X	0.571	14.50	0.079	2.00	1.299	33.00	1.024	26.01	0.591	15.00	393.67	88.50	72.29	12.66
D22670X	0.571	14.50	0.079	2.00	1.949	49.50	1.522	38.67	0.827	21.00	393.67	88.50	46.65	8.17
D22680X	0.571	14.50	0.079	2.00	2.795	71.00	2.170	55.11	1.142	29.00	393.67	88.50	31.81	5.57
D22690X	0.571	14.50	0.079	2.00	4.134	105.00	3.210	81.53	1.614	41.00	393.67	88.50	21.53	3.77
D22890X	0.591	15.00	0.087	2.20	0.787	20.00	0.626	15.89	0.476	12.10	494.55	111.18	154.40	27.04
D22900X	0.591	15.00	0.087	2.20	1.189	30.20	0.935	23.75	0.650	16.50	494.55	111.18	98.39	17.23
D22910X	0.591	15.00	0.087	2.20	1.925	48.90	1.486	37.74	0.996	25.30	494.55	111.18	56.87	9.96
D22940X	0.591	15.00	0.098	2.50	0.866	22.00	0.739	18.78	0.541	13.75	696.77	156.64	277.57	48.61
D22950X	0.591	15.00	0.098	2.50	1.260	32.00	1.061	26.94	0.738	18.75	696.77	156.64	176.79	30.96
D22960X	0.591	15.00	0.098	2.50	1.870	47.50	1.562	39.68	1.033	26.25	696.77	156.64	114.32	20.02
D22970X	0.591	15.00	0.098	2.50	2.657	67.50	2.203	55.95	1.427	36.25	696.77	156.64	77.43	13.56
D22980X	0.591	15.00	0.098	2.50	3.858	98.00	3.184	80.88	2.018	51.25	696.77	156.64	52.25	9.15
C0600-045-0500-X	0.600	15.24	0.045	1.14	0.500	12.70	0.274	6.95	0.153	3.89	4.66	20.73	20.58	3.61
C0600-045-0625-X	0.600	15.24	0.045	1.14	0.620	15.75	0.309	7.86	0.179	4.55	4.66	20.73	14.99	2.63
C0600-045-0750-X	0.600	15.24	0.045	1.14	0.750	19.05	0.351	8.90	0.205	5.21	4.66	20.73	11.66	2.05
C0600-045-0880-X	0.600	15.24	0.045	1.14	0.880	22.35	0.414	10.52	0.224	5.69	4.66	20.73	10.00	1.75
C0600-045-1000-X	0.600	15.24	0.045	1.14	1.000	25.40	0.441	11.20	0.251	6.38	4.66	20.73	8.33	1.45
C0600-045-1250-X	0.600	15.24	0.045	1.14	1.250	31.75	0.551	14.00	0.292	7.42	4.66	20.73	6.66	1.17
C0600-045-1380-X	0.600	15.24	0.045	1.14	1.380	35.05	0.592	15.05	0.306	7.77	4.66	20.73	5.91	1.03
C0600-045-1500-X	0.600	15.24	0.045	1.14	1.500	38.10	0.640	16.25	0.338	8.59	4.66	20.73	5.41	0.95
C0600-045-1750-X	0.600	15.24	0.045	1.14	1.750	44.45	0.915	23.25	0.366	9.30	4.66	20.73	5.58	0.98
C0600-045-2000-X	0.600	15.24	0.045	1.14	2.000	50.80	1.036	26.31	0.401	10.19	4.66	20.73	4.83	0.84
C0600-045-2250-X	0.600	15.24	0.045	1.14	2.250	57.15	1.175	29.84	0.436	11.07	4.66	20.73	4.33	0.75
C0600-045-2500-X	0.600	15.24	0.045	1.14	2.500	63.50	1.284	32.62	0.471	11.96	4.66	20.73	3.83	0.67
C0600-045-2750-X	0.600	15.24	0.045	1.14	2.750	69.85	1.278	32.47	0.540	13.72	4.66	20.73	3.17	0.56
C0600-045-3000-X	0.600	15.24	0.045	1.14	3.000	76.20	1.402	35.62	0.585	14.86	4.66	20.73	2.92	0.51
C0600-045-3500-X	0.600	15.24	0.045	1.14	3.500	88.90	1.636	41.56	0.659	16.74	4.66	20.73	2.50	0.44
C0600-049-0620-X	0.600	15.24	0.049	1.24	0.620	15.75	0.369	9.36	0.234	5.94	5.86	26.07	23.32	4.08
C0600-049-0750-X	0.600	15.24	0.049	1.24	0.750	19.05	0.436	11.07	0.255	6.48	5.86	26.07	18.66	3.27
C0600-049-1000-X	0.600	15.24	0.049	1.24	1.000	25.40	0.565	14.36	0.297	7.54	5.86	26.07	13.49	2.36
C0600-049-1250-X	0.600	15.24	0.049	1.24	1.250	31.75	0.696	17.67	0.338	8.59	5.86	26.07	10.58	1.86
C0600-049-1500-X	0.600	15.24	0.049	1.24	1.500	38.10	0.823	20.91	0.380	9.65	5.86	26.07	8.66	1.52
C0600-049-1750-X	0.600	15.24	0.049	1.24	1.750	44.45	0.950	24.13	0.422	10.72	5.86	26.07	7.33	1.28
C0600-049-2000-X	0.600	15.24	0.049	1.24	2.000	50.80	1.086	27.58	0.463	11.76	5.86	26.07	6.41	1.12
C0600-049-2250-X	0.600	15.24	0.049	1.24	2.250	57.15	1.215	30.86	0.505	12.83	5.86	26.07	5.66	1.00
C0600-049-2500-X	0.600	15.24	0.049	1.24	2.500	63.50	1.346	34.19	0.546	13.87	5.86	26.07	5.08	0.89
C0600-049-2750-X	0.600	15.24	0.049	1.24	2.750	69.85	1.470	37.34	0.588	14.94	5.86	26.07	4.58	0.81
C0600-049-3000-X	0.600	15.24	0.049	1.24	3.000	76.20	1.592	40.44	0.629	15.98	5.86	26.07	4.17	0.74
C0600-055-0625-X	0.600	15.24	0.055	1.40	0.620	15.75	0.378	9.60	0.226	5.74	8.07	35.90	33.32	5.83
C0600-055-0750-X	0.600	15.24	0.055	1.40	0.750	19.05	0.457	11.60	0.251	6.38	8.07	35.90	27.49	4.82
C0600-055-0880-X	0.600	15.24	0.055	1.40	0.880	22.35	0.534	13.57	0.276	7.01	8.07	35.90	23.32	4.08

316 STAINLESS STEEL

Catalog #	Outside Diameter (OD)		Wire Diameter (d)		Free Length (L) Approx		Load Length (L ₁)		Solid Height (Sh) Approx		Load (P) at L ₁		Spring Rate (R)	
	in	mm	in	mm	in	mm	in	mm	in	mm	lb	N	lb/in	N/mm
C0600-055-1000-X	0.600	15.24	0.055	1.40	1.000	25.40	0.597	15.15	0.304	7.72	8.07	35.90	19.99	3.50
C0600-055-1250-X	0.600	15.24	0.055	1.40	1.250	31.75	0.712	18.09	0.369	9.37	8.07	35.90	14.99	2.63
C0600-055-1500-X	0.600	15.24	0.055	1.40	1.500	38.10	0.854	21.70	0.420	10.67	8.07	35.90	12.50	2.19
C0600-055-1750-X	0.600	15.24	0.055	1.40	1.750	44.45	1.005	25.53	0.509	12.93	8.07	35.90	10.83	1.89
C0600-055-2000-X	0.600	15.24	0.055	1.40	2.000	50.80	1.143	29.04	0.562	14.27	8.07	35.90	9.41	1.65
C0600-055-2250-X	0.600	15.24	0.055	1.40	2.250	57.15	1.282	32.56	0.614	15.60	8.07	35.90	8.33	1.45
C0600-055-2500-X	0.600	15.24	0.055	1.40	2.500	63.50	1.412	35.87	0.667	16.94	8.07	35.90	7.41	1.30
C0600-055-2750-X	0.600	15.24	0.055	1.40	2.750	69.85	1.583	40.22	0.701	17.81	8.07	35.90	6.91	1.21
C0600-055-3000-X	0.600	15.24	0.055	1.40	3.000	76.20	1.726	43.84	0.752	19.10	8.07	35.90	6.33	1.10
C0600-059-0620-X	0.600	15.24	0.059	1.50	0.620	15.75	0.398	10.11	0.298	7.57	9.92	44.13	44.73	7.83
C0600-059-0750-X	0.600	15.24	0.059	1.50	0.750	19.05	0.471	11.97	0.329	8.36	9.92	44.13	35.57	6.23
C0600-059-0880-X	0.600	15.24	0.059	1.50	0.880	22.35	0.544	13.81	0.360	9.14	9.92	44.13	29.49	5.17
C0600-059-1000-X	0.600	15.24	0.059	1.50	1.000	25.40	0.611	15.51	0.389	9.88	9.92	44.13	25.49	4.47
C0600-059-1250-X	0.600	15.24	0.059	1.50	1.250	31.75	0.750	19.04	0.449	11.40	9.92	44.13	19.83	3.47
C0600-059-1500-X	0.600	15.24	0.059	1.50	1.500	38.10	0.889	22.59	0.510	12.95	9.92	44.13	16.24	2.84
C0600-059-1750-X	0.600	15.24	0.059	1.50	1.750	44.45	1.028	26.12	0.570	14.48	9.92	44.13	13.74	2.40
C0600-059-2000-X	0.600	15.24	0.059	1.50	2.000	50.80	1.167	29.65	0.630	16.00	9.92	44.13	11.91	2.08
C0600-059-2250-X	0.600	15.24	0.059	1.50	2.250	57.15	1.305	33.14	0.690	17.53	9.92	44.13	10.50	1.84
C0600-059-2500-X	0.600	15.24	0.059	1.50	2.500	63.50	1.446	36.73	0.750	19.05	9.92	44.13	9.41	1.65
C0600-059-2750-X	0.600	15.24	0.059	1.50	2.750	69.85	1.582	40.19	0.811	20.60	9.92	44.13	8.50	1.49
C0600-059-3000-X	0.600	15.24	0.059	1.50	3.000	76.20	1.733	44.02	0.871	22.12	9.92	44.13	7.83	1.37
C0600-063-0625-X	0.600	15.24	0.063	1.60	0.620	15.75	0.392	9.96	0.280	7.11	11.76	52.31	51.65	9.05
C0600-063-0750-X	0.600	15.24	0.063	1.60	0.750	19.05	0.473	12.02	0.314	7.98	11.76	52.31	42.48	7.44
C0600-063-0880-X	0.600	15.24	0.063	1.60	0.880	22.35	0.559	14.20	0.343	8.71	11.76	52.31	36.65	6.43
C0600-063-1000-X	0.600	15.24	0.063	1.60	1.000	25.40	0.628	15.96	0.378	9.60	11.76	52.31	31.65	5.55
C0600-063-1250-X	0.600	15.24	0.063	1.60	1.250	31.75	0.795	20.18	0.435	11.05	11.76	52.31	25.82	4.52
C0600-063-1500-X	0.600	15.24	0.063	1.60	1.500	38.10	0.912	23.16	0.526	13.36	11.76	52.31	19.99	3.50
C0600-063-1750-X	0.600	15.24	0.063	1.60	1.750	44.45	1.071	27.21	0.632	16.05	11.76	52.31	17.33	3.03
C0600-063-2000-X	0.600	15.24	0.063	1.60	2.000	50.80	1.216	30.88	0.700	17.78	11.76	52.31	14.99	2.63
C0600-063-2250-X	0.600	15.24	0.063	1.60	2.250	57.15	1.362	34.60	0.768	19.51	11.76	52.31	13.24	2.31
C0600-063-2500-X	0.600	15.24	0.063	1.60	2.500	63.50	1.506	38.25	0.836	21.23	11.76	52.31	11.83	2.07
C0600-063-2750-X	0.600	15.24	0.063	1.60	2.750	69.85	1.719	43.67	0.863	21.92	11.76	52.31	11.41	2.00
C0600-063-3000-X	0.600	15.24	0.063	1.60	3.000	76.20	1.871	47.51	0.927	23.55	11.76	52.31	10.41	1.82
C0600-063-3500-X	0.600	15.24	0.063	1.60	3.500	88.90	2.168	55.07	1.055	26.80	11.76	52.31	8.83	1.54
C0600-067-0625-X	0.600	15.24	0.067	1.70	0.620	15.75	0.409	10.38	0.300	7.62	14.09	62.68	66.64	11.66
C0600-067-0750-X	0.600	15.24	0.067	1.70	0.750	19.05	0.494	12.54	0.336	8.53	14.09	62.68	54.98	9.63
C0600-067-0880-X	0.600	15.24	0.067	1.70	0.880	22.35	0.542	13.76	0.401	10.19	14.09	62.68	41.65	7.30
C0600-067-1000-X	0.600	15.24	0.067	1.70	1.000	25.40	0.624	15.85	0.430	10.92	14.09	62.68	37.49	6.57
C0600-067-1250-X	0.600	15.24	0.067	1.70	1.250	31.75	0.780	19.81	0.505	12.83	14.09	62.68	29.99	5.25
C0600-067-1500-X	0.600	15.24	0.067	1.70	1.500	38.10	0.917	23.28	0.594	15.09	14.09	62.68	24.16	4.24
C0600-067-1750-X	0.600	15.24	0.067	1.70	1.750	44.45	1.014	25.77	0.715	18.16	14.09	62.68	19.16	3.36
C0600-067-2000-X	0.600	15.24	0.067	1.70	2.000	50.80	1.248	31.70	0.771	19.58	14.09	62.68	18.74	3.27
C0600-067-2250-X	0.600	15.24	0.067	1.70	2.250	57.15	1.396	35.45	0.847	21.51	14.09	62.68	16.49	2.89
C0600-067-2500-X	0.600	15.24	0.067	1.70	2.500	63.50	1.544	39.22	0.923	23.44	14.09	62.68	14.74	2.57
C0600-067-2750-X	0.600	15.24	0.067	1.70	2.750	69.85	1.737	44.12	0.966	24.54	14.09	62.68	13.91	2.43
C0600-067-3000-X	0.600	15.24	0.067	1.70	3.000	76.20	1.894	48.12	1.040	26.42	14.09	62.68	12.74	2.22
C0600-072-0620-X	0.600	15.24	0.072	1.83	0.620	15.75	0.442	11.22	0.381	9.68	17.00	75.62	95.38	16.71
C0600-072-0750-X	0.600	15.24	0.072	1.83	0.750	19.05	0.488	12.41	0.396	10.06	17.00	75.62	64.97	11.38
C0600-072-0880-X	0.600	15.24	0.072	1.83	0.880	22.35	0.580	14.73	0.433	11.00	17.00	75.62	56.64	9.91
C0600-072-1000-X	0.600	15.24	0.072	1.83	1.000	25.40	0.629	15.98	0.502	12.75	17.00	75.62	45.82	8.02
C0600-072-1250-X	0.600	15.24	0.072	1.83	1.250	31.75	0.797	20.23	0.581	14.76	17.00	75.62	37.49	6.57
C0600-072-1500-X	0.600	15.24	0.072	1.83	1.500	38.10	0.933	23.70	0.691	17.55	17.00	75.62	29.99	5.25
C0600-072-1750-X	0.600	15.24	0.072	1.83	1.750	44.45	1.070	27.17	0.801	20.35	17.00	75.62	24.99	4.38
C0600-072-2000-X	0.600	15.24	0.072	1.83	2.000	50.80	1.271	32.29	0.848	21.54	17.00	75.62	23.32	4.08
C0600-072-2250-X	0.600	15.24	0.072	1.83	2.250	57.15	1.462	37.14	0.946	24.03	17.00	75.62	21.57	3.78
C0600-072-2500-X	0.600	15.24	0.072	1.83	2.500	63.50	1.617	41.06	1.033	26.24	17.00	75.62	19.24	3.36
C0600-072-2750-X	0.600	15.24	0.072	1.83	2.750	69.85	1.774	45.05	1.119	28.42	17.00	75.62	17.41	3.05
C0600-072-3000-X	0.600	15.24	0.072	1.83	3.000	76.20	1.932	49.06	1.206	30.63	17.00	75.62	15.91	2.78
C0600-081-0620-X	0.600	15.24	0.081	2.06	0.620	15.75	0.488	12.39	0.412	10.46	23.40	104.09	177.10	31.01
C0600-081-0750-X	0.600	15.24	0.081	2.06	0.750	19.05	0.580	14.74	0.459	11.66	23.40	104.09	137.94	24.15
C0600-081-0880-X	0.600	15.24	0.081	2.06	0.880	22.35	0.673	17.09	0.507	12.88	23.40	104.09	112.95	19.79
C0600-081-1000-X	0.600	15.24	0.081	2.06	1.000	25.40	0.758	19.26	0.552	14.02	23.40	104.09	96.79	16.95
C0600-081-1250-X	0.600	15.24	0.081	2.06	1.250	31.75	0.936	23.78	0.644	16.36	23.40	104.09	74.55	13.06
C0600-081-1500-X	0.600	15.24	0.081	2.06	1.500	38.10	1.114	28.30	0.736	18.69	23.40	104.09	60.64	10.61

COMPRESSION SPRINGS (OD) 0.047 - 0.353
COMPRESSION SPRINGS (OD) 0.353 - 0.588
COMPRESSION SPRINGS (OD) 0.588 - 0.970
COMPRESSION SPRINGS (OD) 0.970 - 1.410
COMPRESSION SPRINGS (OD) 1.410 - 2.820
316 STAINLESS STEEL COMPRESSION SPRINGS
HEAVY DUTY COMPRESSION SPRINGS
CONICAL COMPRESSION SPRINGS
MULTI-WAVE COMPRESSION SPRINGS

(OD) 0.600 - 0.693

316 STAINLESS STEEL

Table with columns: Catalog #, Outside Diameter (OD) in/mm, Wire Diameter (d) in/mm, Free Length (L) Approx in/mm, Load Length (L1) in/mm, Solid Height (Sh) Approx in/mm, Load (P) at L1 lb/N, Spring Rate (R) lb/in/N/mm. Rows include various catalog numbers like C0600-081-1750-X, C0600-081-2000-X, etc.



316 STAINLESS STEEL

Catalog #	Outside Diameter (OD)		Wire Diameter (d)		Free Length (L) Approx		Load Length (L _L)		Solid Height (Sh) Approx		Load (P) at L _L		Spring Rate (R)	
	in	mm	in	mm	in	mm	in	mm	in	mm	lb	N	lb/in	N/mm
D22530X	0.693	17.60	0.063	1.60	4.331	110.00	2.883	73.22	0.913	23.20	176.68	39.72	6.17	1.08
D22540X	0.693	17.60	0.063	1.60	6.496	165.00	4.354	110.59	1.291	32.80	176.68	39.72	4.17	0.73
D22700X	0.709	18.00	0.079	2.00	1.181	30.00	0.880	22.35	0.433	11.00	322.41	72.48	54.13	9.48
D22710X	0.709	18.00	0.079	2.00	1.772	45.00	1.298	32.98	0.591	15.00	322.41	72.48	34.43	6.03
D22720X	0.709	18.00	0.079	2.00	2.677	68.00	1.947	49.46	0.827	21.00	322.41	72.48	22.33	3.91
D22730X	0.709	18.00	0.079	2.00	3.858	98.00	2.785	70.75	1.142	29.00	322.41	72.48	15.19	2.66
D22740X	0.709	18.00	0.079	2.00	5.709	145.00	4.123	104.73	1.614	41.00	322.41	72.48	10.28	1.80
C0720-055-0620-X	0.720	18.29	0.055	1.40	0.620	15.75	0.370	9.39	0.241	6.12	6.77	30.11	27.07	4.75
C0720-055-0750-X	0.720	18.29	0.055	1.40	0.750	19.05	0.396	10.07	0.221	5.61	6.77	30.11	19.16	3.36
C0720-055-0880-X	0.720	18.29	0.055	1.40	0.880	22.35	0.473	12.02	0.238	6.05	6.77	30.11	16.66	2.92
C0720-055-1000-X	0.720	18.29	0.055	1.40	1.000	25.40	0.560	14.23	0.248	6.30	6.77	30.11	15.41	2.70
C0720-055-1250-X	0.720	18.29	0.055	1.40	1.250	31.75	0.708	17.98	0.281	7.14	6.77	30.11	12.50	2.19
C0720-055-1500-X	0.720	18.29	0.055	1.40	1.500	38.10	0.793	20.14	0.333	8.46	6.77	30.11	9.58	1.68
C0720-055-1750-X	0.720	18.29	0.055	1.40	1.750	44.45	0.866	22.00	0.388	9.86	6.77	30.11	7.66	1.35
C0720-055-2000-X	0.720	18.29	0.055	1.40	2.000	50.80	1.043	26.50	0.411	10.44	6.77	30.11	7.08	1.24
C0720-055-2250-X	0.720	18.29	0.055	1.40	2.250	57.15	1.207	30.67	0.482	12.24	6.77	30.11	6.50	1.14
C0720-055-2500-X	0.720	18.29	0.055	1.40	2.500	63.50	1.321	33.56	0.519	13.18	6.77	30.11	5.75	1.02
C0720-055-2750-X	0.720	18.29	0.055	1.40	2.750	69.85	1.459	37.06	0.556	14.12	6.77	30.11	5.25	0.93
C0720-055-3000-X	0.720	18.29	0.055	1.40	3.000	76.20	1.573	39.96	0.593	15.06	6.77	30.11	4.75	0.84
C0720-059-0750-X	0.720	18.29	0.059	1.50	0.750	19.05	0.446	11.32	0.285	7.24	8.34	37.10	27.41	4.80
C0720-059-0880-X	0.720	18.29	0.059	1.50	0.880	22.35	0.513	13.04	0.308	7.82	8.34	37.10	22.74	3.98
C0720-059-1000-X	0.720	18.29	0.059	1.50	1.000	25.40	0.574	14.58	0.328	8.33	8.34	37.10	19.58	3.43
C0720-059-1250-X	0.720	18.29	0.059	1.50	1.250	31.75	0.703	17.86	0.371	9.42	8.34	37.10	15.24	2.66
C0720-059-1500-X	0.720	18.29	0.059	1.50	1.500	38.10	0.833	21.15	0.414	10.52	8.34	37.10	12.50	2.19
C0720-059-1750-X	0.720	18.29	0.059	1.50	1.750	44.45	0.962	24.43	0.457	11.61	8.34	37.10	10.58	1.86
C0720-059-2000-X	0.720	18.29	0.059	1.50	2.000	50.80	1.090	27.68	0.499	12.67	8.34	37.10	9.16	1.61
C0720-059-2250-X	0.720	18.29	0.059	1.50	2.250	57.15	1.218	30.94	0.542	13.77	8.34	37.10	8.08	1.42
C0720-059-2500-X	0.720	18.29	0.059	1.50	2.500	63.50	1.349	34.27	0.585	14.86	8.34	37.10	7.25	1.28
C0720-063-0620-X	0.720	18.29	0.063	1.60	0.620	15.75	0.392	9.95	0.286	7.26	9.89	43.99	43.32	7.58
C0720-063-0750-X	0.720	18.29	0.063	1.60	0.750	19.05	0.390	9.91	0.284	7.21	9.89	43.99	27.49	4.82
C0720-063-0880-X	0.720	18.29	0.063	1.60	0.880	22.35	0.456	11.58	0.313	7.95	9.89	43.99	23.32	4.08
C0720-063-1000-X	0.720	18.29	0.063	1.60	1.000	25.40	0.505	12.83	0.344	8.74	9.89	43.99	19.99	3.50
C0720-063-1250-X	0.720	18.29	0.063	1.60	1.250	31.75	0.608	15.44	0.409	10.39	9.89	43.99	15.41	2.70
C0720-063-1500-X	0.720	18.29	0.063	1.60	1.500	38.10	0.708	17.99	0.475	12.07	9.89	43.99	12.50	2.19
C0720-063-1750-X	0.720	18.29	0.063	1.60	1.750	44.45	0.836	21.24	0.529	13.44	9.89	43.99	10.83	1.89
C0720-063-2000-X	0.720	18.29	0.063	1.60	2.000	50.80	0.920	23.37	0.602	15.29	9.89	43.99	9.16	1.61
C0720-063-2250-X	0.720	18.29	0.063	1.60	2.250	57.15	1.268	32.22	0.605	15.37	9.89	43.99	10.08	1.77
C0720-063-2500-X	0.720	18.29	0.063	1.60	2.500	63.50	1.400	35.57	0.654	16.61	9.89	43.99	9.00	1.58
C0720-063-2750-X	0.720	18.29	0.063	1.60	2.750	69.85	1.538	39.07	0.702	17.83	9.89	43.99	8.16	1.44
C0720-063-3000-X	0.720	18.29	0.063	1.60	3.000	76.20	1.665	42.30	0.751	19.08	9.89	43.99	7.41	1.30
C0720-065-0750-X	0.720	18.29	0.065	1.65	0.750	19.05	0.467	11.86	0.324	8.23	10.85	48.26	38.32	6.71
C0720-065-0880-X	0.720	18.29	0.065	1.65	0.880	22.35	0.537	13.65	0.351	8.92	10.85	48.26	31.65	5.55
C0720-065-1000-X	0.720	18.29	0.065	1.65	1.000	25.40	0.603	15.31	0.376	9.55	10.85	48.26	27.32	4.78
C0720-065-1250-X	0.720	18.29	0.065	1.65	1.250	31.75	0.737	18.72	0.428	10.87	10.85	48.26	21.16	3.71
C0720-065-1500-X	0.720	18.29	0.065	1.65	1.500	38.10	0.874	22.19	0.480	12.19	10.85	48.26	17.33	3.03
C0720-065-1750-X	0.720	18.29	0.065	1.65	1.750	44.45	1.010	25.65	0.532	13.51	10.85	48.26	14.66	2.57
C0720-065-2000-X	0.720	18.29	0.065	1.65	2.000	50.80	1.143	29.03	0.584	14.83	10.85	48.26	12.66	2.22
C0720-065-2250-X	0.720	18.29	0.065	1.65	2.250	57.15	1.278	32.46	0.636	16.15	10.85	48.26	11.16	1.96
C0720-065-2500-X	0.720	18.29	0.065	1.65	2.500	63.50	1.415	35.93	0.689	17.50	10.85	48.26	10.00	1.75
C0720-065-2750-X	0.720	18.29	0.065	1.65	2.750	69.85	1.555	39.50	0.714	18.14	10.85	48.26	9.08	1.59
C0720-065-3000-X	0.720	18.29	0.065	1.65	3.000	76.20	1.684	42.78	0.793	20.14	10.85	48.26	8.25	1.45
C0720-067-0750-X	0.720	18.29	0.067	1.70	0.750	19.05	0.465	11.81	0.279	7.09	11.87	52.80	41.65	7.30
C0720-067-0880-X	0.720	18.29	0.067	1.70	0.880	22.35	0.524	13.31	0.315	8.00	11.87	52.80	33.32	5.83
C0720-067-1000-X	0.720	18.29	0.067	1.70	1.000	25.40	0.568	14.44	0.354	8.99	11.87	52.80	27.49	4.82
C0720-067-1250-X	0.720	18.29	0.067	1.70	1.250	31.75	0.722	18.35	0.403	10.24	11.87	52.80	22.49	3.94
C0720-067-1500-X	0.720	18.29	0.067	1.70	1.500	38.10	0.853	21.65	0.464	11.79	11.87	52.80	18.33	3.20
C0720-067-1750-X	0.720	18.29	0.067	1.70	1.750	44.45	0.959	24.35	0.538	13.67	11.87	52.80	14.99	2.63
C0720-067-2000-X	0.720	18.29	0.067	1.70	2.000	50.80	1.081	27.46	0.603	15.32	11.87	52.80	12.91	2.26
C0720-067-2250-X	0.720	18.29	0.067	1.70	2.250	57.15	1.294	32.87	0.669	16.99	11.87	52.80	12.41	2.17
C0720-067-2500-X	0.720	18.29	0.067	1.70	2.500	63.50	1.429	36.30	0.724	18.39	11.87	52.80	11.08	1.94
C0720-067-3000-X	0.720	18.29	0.067	1.70	3.000	76.20	1.705	43.31	0.835	21.21	11.87	52.80	9.16	1.61
C0720-067-3250-X	0.720	18.29	0.067	1.70	3.250	82.55	1.919	48.74	0.850	21.59	11.87	52.80	8.91	1.56
C0720-067-3500-X	0.720	18.29	0.067	1.70	3.500	88.90	2.076	52.72	0.902	22.91	11.87	52.80	8.33	1.45
C0720-072-0750-X	0.720	18.29	0.072	1.83	0.750	19.05	0.494	12.56	0.368	9.35	14.33	63.74	56.06	9.82

COMPRESSION SPRINGS (OD) 0.693 - 0.720

COMPRESSION SPRINGS (OD) 0.583 - 0.598

COMPRESSION SPRINGS (OD) 0.583 - 0.970

COMPRESSION SPRINGS (OD) 0.583 - 1.410

COMPRESSION SPRINGS (OD) 0.970 - 1.410

COMPRESSION SPRINGS (OD) 1.410 - 2.820

COMPRESSION SPRINGS (OD) 1.410 - 2.820

316 STAINLESS STEEL COMPRESSION SPRINGS

HEAVY DUTY COMPRESSION SPRINGS

CONICAL COMPRESSION SPRINGS

MULTI-WAVE COMPRESSION SPRINGS

FOR INFORMATION ON ALTERNATIVE FINISHES, SEE PAGE 311



Part Numbers with an "*" are squared and not ground.

316 STAINLESS STEEL

Catalog #	Outside Diameter (OD)		Wire Diameter (d)		Free Length (L) Approx		Load Length (L _i)		Solid Height (Sh) Approx		Load (P) at L _i		Spring Rate (R)	
	in	mm	in	mm	in	mm	in	mm	in	mm	lb	N	lb/in	N/mm
C0720-072-0880-X	0.720	18.29	0.072	1.83	0.880	22.35	0.522	13.25	0.365	9.27	14.33	63.74	39.98	7.01
C0720-072-1000-X	0.720	18.29	0.072	1.83	1.000	25.40	0.590	15.00	0.397	10.08	14.33	63.74	34.99	6.13
C0720-072-1250-X	0.720	18.29	0.072	1.83	1.250	31.75	0.759	19.27	0.448	11.38	14.33	63.74	29.16	5.11
C0720-072-1500-X	0.720	18.29	0.072	1.83	1.500	38.10	0.838	21.30	0.554	14.07	14.33	63.74	21.66	3.80
C0720-072-1750-X	0.720	18.29	0.072	1.83	1.750	44.45	0.968	24.59	0.628	15.95	14.33	63.74	18.33	3.20
C0720-072-2000-X	0.720	18.29	0.072	1.83	2.000	50.80	1.140	28.95	0.677	17.20	14.33	63.74	16.66	2.92
C0720-072-2250-X	0.720	18.29	0.072	1.83	2.250	57.15	1.349	34.27	0.751	19.08	14.33	63.74	15.91	2.78
C0720-072-2500-X	0.720	18.29	0.072	1.83	2.500	63.50	1.494	37.95	0.815	20.70	14.33	63.74	14.24	2.49
C0720-072-2750-X	0.720	18.29	0.072	1.83	2.750	69.85	1.633	41.48	0.878	22.30	14.33	63.74	12.83	2.24
C0720-072-3000-X	0.720	18.29	0.072	1.83	3.000	76.20	1.780	45.21	0.942	23.93	14.33	63.74	11.75	2.07
C0720-072-3250-X	0.720	18.29	0.072	1.83	3.250	82.55	1.927	48.94	1.005	25.53	14.33	63.74	10.83	1.89
C0720-072-3500-X	0.720	18.29	0.072	1.83	3.500	88.90	2.067	52.49	1.069	27.15	14.33	63.74	10.00	1.75
C0720-072-4000-X	0.720	18.29	0.072	1.83	4.000	101.60	2.377	60.38	1.182	30.02	14.33	63.74	8.83	1.54
C0720-081-0750-X	0.720	18.29	0.081	2.06	0.750	19.05	0.521	13.22	0.429	10.90	19.78	87.99	86.22	15.10
C0720-081-0880-X	0.720	18.29	0.081	2.06	0.880	22.35	0.600	15.23	0.470	11.94	19.78	87.99	70.56	12.36
C0720-081-1000-X	0.720	18.29	0.081	2.06	1.000	25.40	0.673	17.09	0.508	12.90	19.78	87.99	60.48	10.60
C0720-081-1250-X	0.720	18.29	0.081	2.06	1.250	31.75	0.825	20.96	0.587	14.91	19.78	87.99	46.56	8.16
C0720-081-1500-X	0.720	18.29	0.081	2.06	1.500	38.10	0.978	24.85	0.665	16.89	19.78	87.99	37.90	6.64
C0720-081-1750-X	0.720	18.29	0.081	2.06	1.750	44.45	1.130	28.71	0.744	18.90	19.78	87.99	31.90	5.59
C0720-081-2000-X	0.720	18.29	0.081	2.06	2.000	50.80	1.283	32.58	0.823	20.90	19.78	87.99	27.57	4.83
C0720-081-2250-X	0.720	18.29	0.081	2.06	2.250	57.15	1.434	36.43	0.902	22.91	19.78	87.99	24.24	4.24
C0720-081-2500-X	0.720	18.29	0.081	2.06	2.500	63.50	1.587	40.31	0.981	24.92	19.78	87.99	21.66	3.80
C0720-081-2750-X	0.720	18.29	0.081	2.06	2.750	69.85	1.740	44.19	1.060	26.92	19.78	87.99	19.58	3.43
C0720-081-3000-X	0.720	18.29	0.081	2.06	3.000	76.20	1.891	48.02	1.139	28.93	19.78	87.99	17.83	3.12
C0720-081-3500-X	0.720	18.29	0.081	2.06	3.500	88.90	2.196	55.77	1.297	32.94	19.78	87.99	15.16	2.66
C0720-081-4000-X	0.720	18.29	0.081	2.06	4.000	101.60	2.507	63.68	1.455	36.96	19.78	87.99	13.24	2.31
C0720-085-0750-X	0.720	18.29	0.085	2.16	0.750	19.05	0.553	14.05	0.434	11.02	22.78	101.33	115.79	20.28
C0720-085-0880-X	0.720	18.29	0.085	2.16	0.880	22.35	0.639	16.23	0.474	12.04	22.78	101.33	94.55	16.57
C0720-085-1000-X	0.720	18.29	0.085	2.16	1.000	25.40	0.718	18.25	0.512	13.00	22.78	101.33	80.88	14.17
C0720-085-1250-X	0.720	18.29	0.085	2.16	1.250	31.75	0.883	22.44	0.589	14.96	22.78	101.33	62.14	10.88
C0720-085-1500-X	0.720	18.29	0.085	2.16	1.500	38.10	1.049	26.64	0.666	16.92	22.78	101.33	50.48	8.84
C0720-085-1750-X	0.720	18.29	0.085	2.16	1.750	44.45	1.214	30.83	0.743	18.87	22.78	101.33	42.48	7.44
C0720-085-2000-X	0.720	18.29	0.085	2.16	2.000	50.80	1.379	35.02	0.821	20.85	22.78	101.33	36.65	6.43
C0720-085-2250-X	0.720	18.29	0.085	2.16	2.250	57.15	1.543	39.20	0.898	22.81	22.78	101.33	32.24	5.64
C0720-085-2500-X	0.720	18.29	0.085	2.16	2.500	63.50	1.710	43.43	0.975	24.77	22.78	101.33	28.82	5.04
C0720-085-2750-X	0.720	18.29	0.085	2.16	2.750	69.85	1.874	47.59	1.052	26.72	22.78	101.33	25.99	4.55
C0720-085-3000-X	0.720	18.29	0.085	2.16	3.000	76.20	2.041	51.83	1.130	28.70	22.78	101.33	23.74	4.15
C0720-085-3500-X	0.720	18.29	0.085	2.16	3.500	88.90	2.370	60.20	1.284	32.61	22.78	101.33	20.16	3.54
C0720-085-4000-X	0.720	18.29	0.085	2.16	4.000	101.60	2.698	68.53	1.439	36.55	22.78	101.33	17.49	3.06
C0720-096-0750-X	0.720	18.29	0.096	2.44	0.750	19.05	0.590	15.00	0.490	12.45	31.71	141.05	198.75	34.82
C0720-096-0880-X	0.720	18.29	0.096	2.44	0.880	22.35	0.683	17.36	0.537	13.64	31.71	141.05	161.27	28.25
C0720-096-1000-X	0.720	18.29	0.096	2.44	1.000	25.40	0.769	19.53	0.581	14.76	31.71	141.05	137.28	24.04
C0720-096-1250-X	0.720	18.29	0.096	2.44	1.250	31.75	0.948	24.07	0.671	17.04	31.71	141.05	104.87	18.37
C0720-096-1500-X	0.720	18.29	0.096	2.44	1.500	38.10	1.126	28.60	0.762	19.35	31.71	141.05	84.80	14.85
C0720-096-1750-X	0.720	18.29	0.096	2.44	1.750	44.45	1.305	33.14	0.852	21.64	31.71	141.05	71.22	12.47
C0720-096-2000-X	0.720	18.29	0.096	2.44	2.000	50.80	1.483	37.68	0.943	23.95	31.71	141.05	61.39	10.75
C0720-096-2250-X	0.720	18.29	0.096	2.44	2.250	57.15	1.662	42.20	1.034	26.26	31.71	141.05	53.90	9.44
C0720-096-2500-X	0.720	18.29	0.096	2.44	2.500	63.50	1.840	46.74	1.124	28.55	31.71	141.05	48.06	8.42
C0720-096-2750-X	0.720	18.29	0.096	2.44	2.750	69.85	2.019	51.29	1.215	30.86	31.71	141.05	43.40	7.60
C0720-096-3000-X	0.720	18.29	0.096	2.44	3.000	76.20	2.197	55.80	1.305	33.15	31.71	141.05	39.48	6.92
C0720-096-3500-X	0.720	18.29	0.096	2.44	3.500	88.90	2.555	64.91	1.486	37.74	31.71	141.05	33.57	5.88
C0720-096-4000-X	0.720	18.29	0.096	2.44	4.000	101.60	2.912	73.97	1.668	42.37	31.71	141.05	29.16	5.11
C0720-105-0750-X	0.720	18.29	0.105	2.67	0.750	19.05	0.611	15.51	0.537	13.64	41.15	183.04	295.47	51.75
C0720-105-0880-X	0.720	18.29	0.105	2.67	0.880	22.35	0.707	17.96	0.591	15.01	41.15	183.04	238.15	41.72
C0720-105-1000-X	0.720	18.29	0.105	2.67	1.000	25.40	0.796	20.23	0.640	16.26	41.15	183.04	202.00	35.38
C0720-105-1250-X	0.720	18.29	0.105	2.67	1.250	31.75	0.982	24.94	0.743	18.87	41.15	183.04	153.44	26.86
C0720-105-1500-X	0.720	18.29	0.105	2.67	1.500	38.10	1.167	29.65	0.846	21.49	41.15	183.04	123.70	21.66
C0720-105-1750-X	0.720	18.29	0.105	2.67	1.750	44.45	1.353	34.36	0.949	24.10	41.15	183.04	103.63	18.14
C0720-105-2000-X	0.720	18.29	0.105	2.67	2.000	50.80	1.538	39.07	1.052	26.72	41.15	183.04	89.13	15.60
C0720-105-2250-X	0.720	18.29	0.105	2.67	2.250	57.15	1.724	43.79	1.155	29.34	41.15	183.04	78.22	13.69
C0720-105-2500-X	0.720	18.29	0.105	2.67	2.500	63.50	1.909	48.49	1.258	31.95	41.15	183.04	69.64	12.19
C0720-105-2750-X	0.720	18.29	0.105	2.67	2.750	69.85	2.095	53.21	1.361	34.57	41.15	183.04	62.81	11.00
C0720-105-3000-X	0.720	18.29	0.105	2.67	3.000	76.20	2.281	57.94	1.464	37.19	41.15	183.04	57.23	10.02
C0720-105-3500-X	0.720	18.29	0.105	2.67	3.500	88.90	2.651	67.34	1.670	42.42	41.15	183.04	48.48	8.49



316 STAINLESS STEEL

Table with columns: Catalog #, Outside Diameter (OD) in/mm, Wire Diameter (d) in/mm, Free Length (L) Approx in/mm, Load Length (L) in/mm, Solid Height (Sh) Approx in/mm, Load (P) at L1 lb/N, Spring Rate (R) lb/in/N/mm. Rows include various part numbers like C0720-105-4000-X, D22990X, C0850-068-0750-X, etc.

COMPRESSION SPRINGS (OD) 0.047 - 0.353

COMPRESSION SPRINGS (OD) 0.353 - 0.588

COMPRESSION SPRINGS (OD) 0.588 - 0.970

COMPRESSION SPRINGS (OD) 0.970 - 1.410

COMPRESSION SPRINGS (OD) 1.410 - 2.820

316 STAINLESS STEEL COMPRESSION SPRINGS

HEAVY DUTY COMPRESSION SPRINGS

CONICAL COMPRESSION SPRINGS

MULTI-WAVE COMPRESSION SPRINGS

FOR INFORMATION ON ALTERNATIVE FINISHES, SEE PAGE 311



Part Numbers with an "*" are squared and not ground.

316 STAINLESS STEEL

Table with 15 columns: Catalog #, Outside Diameter (OD) in/mm, Wire Diameter (d) in/mm, Free Length (L) Approx in/mm, Load Length (L1) in/mm, Solid Height (Sh) Approx in/mm, Load (P) at L1 lb/N, and Spring Rate (R) lb/in/N/mm. Rows include various catalog numbers like C0850-085-1750-X and D22550X.



316 STAINLESS STEEL

Table with columns: Catalog #, Outside Diameter (OD) in/mm, Wire Diameter (d) in/mm, Free Length (L) Approx in/mm, Load Length (L) in/mm, Solid Height (Sh) Approx in/mm, Load (P) at L1 lb/N, Spring Rate (R) lb/in/N/mm. Rows include various part numbers like C0975-074-3000-X, C0975-074-3500-X, etc.

COMPRESSION SPRINGS (OD) 0.047 - 0.353
COMPRESSION SPRINGS (OD) 0.353 - 0.588
COMPRESSION SPRINGS (OD) 0.588 - 0.970
COMPRESSION SPRINGS (OD) 0.970 - 1.410
COMPRESSION SPRINGS (OD) 1.410 - 2.820
316 STAINLESS STEEL COMPRESSION SPRINGS
HEAVY DUTY COMPRESSION SPRINGS
CONICAL COMPRESSION SPRINGS
MULTI-WAVE COMPRESSION SPRINGS

FOR INFORMATION ON ALTERNATIVE FINISHES, SEE PAGE 311



Part Numbers with an "*" are squared and not ground.

316 STAINLESS STEEL

Catalog #	Outside Diameter (OD)		Wire Diameter (d)		Free Length (L) Approx		Load Length (L _i)		Solid Height (Sh) Approx		Load (P) at L _i		Spring Rate (R)	
	in	mm	in	mm	in	mm	in	mm	in	mm	lb	N	lb/in	N/mm
C0975-135-2500-X	0.975	24.77	0.135	3.43	2.500	63.50	1.761	44.72	1.453	36.91	60.04	267.07	81.22	14.22
C0975-135-3000-X	0.975	24.77	0.135	3.43	3.000	76.20	2.096	53.23	1.703	43.26	60.04	267.07	66.39	11.63
C0975-135-3500-X	0.975	24.77	0.135	3.43	3.500	88.90	2.429	61.70	1.953	49.61	60.04	267.07	56.06	9.82
C0975-135-4000-X	0.975	24.77	0.135	3.43	4.000	101.60	2.764	70.20	2.203	55.96	60.04	267.07	48.56	8.51
C0975-148-1000-X	0.975	24.77	0.148	3.76	1.000	25.40	0.795	20.19	0.763	19.38	78.39	348.70	382.35	66.97
C0975-148-1500-X	0.975	24.77	0.148	3.76	1.500	38.10	1.149	29.19	1.042	26.47	78.39	348.70	223.58	39.16
C0975-148-2000-X	0.975	24.77	0.148	3.76	2.000	50.80	1.504	38.19	1.322	33.58	78.39	348.70	157.94	27.65
C0975-148-2500-X	0.975	24.77	0.148	3.76	2.500	63.50	1.858	47.20	1.601	40.67	78.39	348.70	122.12	21.38
C0975-148-3000-X	0.975	24.77	0.148	3.76	3.000	76.20	2.213	56.20	1.880	47.75	78.39	348.70	99.54	17.43
C0975-148-3500-X	0.975	24.77	0.148	3.76	3.500	88.90	2.567	65.21	2.159	54.84	78.39	348.70	84.05	14.73
C0975-148-4000-X	0.975	24.77	0.148	3.76	4.000	101.60	2.921	74.19	2.439	61.95	78.39	348.70	72.64	12.71
C0975-162-1500-X	0.975	24.77	0.162	4.11	1.500	38.10	1.214	30.83	1.124	28.55	98.98	440.28	345.86	60.58
C0975-162-2000-X	0.975	24.77	0.162	4.11	2.000	50.80	1.592	40.44	1.430	36.32	98.98	440.28	242.65	42.50
C0975-162-2500-X	0.975	24.77	0.162	4.11	2.500	63.50	1.971	50.05	1.735	44.07	98.98	440.28	186.93	32.73
C0975-162-3000-X	0.975	24.77	0.162	4.11	3.000	76.20	2.349	59.66	2.041	51.84	98.98	440.28	152.02	26.62
C0975-162-3500-X	0.975	24.77	0.162	4.11	3.500	88.90	2.727	69.26	2.347	59.61	98.98	440.28	128.03	22.42
C0975-162-4000-X	0.975	24.77	0.162	4.11	4.000	101.60	3.105	78.87	2.652	67.36	98.98	440.28	110.62	19.37
D22800X	1.063	27.00	0.079	2.00	2.283	58.00	1.501	38.13	0.433	11.00	219.21	49.28	14.16	2.48
D22810X	1.063	27.00	0.079	2.00	3.484	88.50	2.256	57.31	0.591	15.00	219.21	49.28	9.02	1.58
D22820X	1.063	27.00	0.079	2.00	5.315	135.00	3.413	86.69	0.827	21.00	219.21	49.28	5.82	1.02
D22830X	1.063	27.00	0.079	2.00	7.677	195.00	4.865	123.58	1.142	29.00	219.21	49.28	3.94	0.69
D22840X	1.063	27.00	0.079	2.00	11.417	290.00	7.289	185.15	1.614	41.00	219.21	49.28	2.68	0.47
D23090X	1.083	27.50	0.098	2.50	1.929	49.00	1.348	34.23	0.541	13.75	398.78	89.65	34.66	6.07
D23100X	1.083	27.50	0.098	2.50	2.933	74.50	2.021	51.33	0.738	18.75	398.78	89.65	22.10	3.87
D23110X	1.083	27.50	0.098	2.50	4.528	115.00	3.116	79.14	1.033	26.25	398.78	89.65	14.28	2.50
D23120X	1.083	27.50	0.098	2.50	6.496	165.00	4.420	112.26	1.427	36.25	398.78	89.65	9.71	1.70
D23130X	1.083	27.50	0.098	2.50	9.449	240.00	6.380	162.04	2.018	51.25	398.78	89.65	6.57	1.15
C1100-085-0875-X	1.100	27.94	0.085	2.16	0.880	22.35	0.474	12.05	0.348	8.84	15.24	67.79	37.57	6.58
C1100-085-1000-X	1.100	27.94	0.085	2.16	1.000	25.40	0.522	13.26	0.372	9.45	15.24	67.79	31.90	5.59
C1100-085-1250-X	1.100	27.94	0.085	2.16	1.250	31.75	0.630	15.99	0.420	10.67	15.24	67.79	24.57	4.31
C1100-085-1500-X	1.100	27.94	0.085	2.16	1.500	38.10	0.734	18.65	0.467	11.86	15.24	67.79	19.91	3.49
C1100-085-2000-X	1.100	27.94	0.085	2.16	2.000	50.80	0.948	24.09	0.563	14.30	15.24	67.79	14.49	2.54
C1100-085-2500-X	1.100	27.94	0.085	2.16	2.500	63.50	1.164	29.57	0.659	16.74	15.24	67.79	11.41	2.00
C1100-085-3000-X	1.100	27.94	0.085	2.16	3.000	76.20	1.366	34.70	0.755	19.18	15.24	67.79	9.33	1.63
C1100-085-3500-X	1.100	27.94	0.085	2.16	3.500	88.90	1.594	40.48	0.851	21.62	15.24	67.79	8.00	1.40
C1100-085-4000-X	1.100	27.94	0.085	2.16	4.000	101.60	1.795	45.60	0.947	24.05	15.24	67.79	6.91	1.21
C1100-085-4500-X	1.100	27.94	0.085	2.16	4.500	114.30	1.993	50.62	1.043	26.49	15.24	67.79	6.08	1.07
C1100-085-5000-X	1.100	27.94	0.085	2.16	5.000	127.00	2.227	56.57	1.139	28.93	15.24	67.79	5.50	0.96
C1100-096-0875-X	1.100	27.94	0.096	2.44	0.880	22.35	0.513	13.04	0.406	10.31	21.32	94.84	58.14	10.17
C1100-096-1000-X	1.100	27.94	0.096	2.44	1.000	25.40	0.566	14.38	0.436	11.07	21.32	94.84	49.15	8.62
C1100-096-1250-X	1.100	27.94	0.096	2.44	1.250	31.75	0.683	17.34	0.497	12.62	21.32	94.84	37.57	6.58
C1100-096-1500-X	1.100	27.94	0.096	2.44	1.500	38.10	0.799	20.29	0.558	14.17	21.32	94.84	30.40	5.32
C1100-096-2000-X	1.100	27.94	0.096	2.44	2.000	50.80	1.031	26.18	0.679	17.25	21.32	94.84	21.99	3.85
C1100-096-2500-X	1.100	27.94	0.096	2.44	2.500	63.50	1.264	32.10	0.800	20.32	21.32	94.84	17.24	3.01
C1100-096-3000-X	1.100	27.94	0.096	2.44	3.000	76.20	1.495	37.96	0.922	23.42	21.32	94.84	14.16	2.49
C1100-096-3500-X	1.100	27.94	0.096	2.44	3.500	88.90	1.723	43.76	1.043	26.49	21.32	94.84	12.00	2.10
C1100-096-4000-X	1.100	27.94	0.096	2.44	4.000	101.60	1.953	49.60	1.165	29.59	21.32	94.84	10.41	1.82
C1100-096-4500-X	1.100	27.94	0.096	2.44	4.500	114.30	2.194	55.74	1.286	32.66	21.32	94.84	9.25	1.63
C1100-105-0875-X	1.100	27.94	0.105	2.67	0.880	22.35	0.539	13.68	0.453	11.51	27.77	123.53	81.38	14.26
C1100-105-1000-X	1.100	27.94	0.105	2.67	1.000	25.40	0.594	15.10	0.489	12.42	27.77	123.53	68.47	12.00
C1100-105-1250-X	1.100	27.94	0.105	2.67	1.250	31.75	0.717	18.20	0.561	14.25	27.77	123.53	52.06	9.12
C1100-105-1500-X	1.100	27.94	0.105	2.67	1.500	38.10	0.838	21.30	0.632	16.05	27.77	123.53	41.98	7.36
C1100-105-2000-X	1.100	27.94	0.105	2.67	2.000	50.80	1.082	27.47	0.776	19.71	27.77	123.53	30.24	5.29
C1100-105-2500-X	1.100	27.94	0.105	2.67	2.500	63.50	1.326	33.68	0.919	23.34	27.77	123.53	23.66	4.15
C1100-105-3000-X	1.100	27.94	0.105	2.67	3.000	76.20	1.569	39.86	1.062	26.97	27.77	123.53	19.41	3.40
C1100-105-3500-X	1.100	27.94	0.105	2.67	3.500	88.90	1.808	45.91	1.206	30.63	27.77	123.53	16.41	2.87
C1100-112-0875-X	1.100	27.94	0.112	2.84	0.880	22.35	0.567	14.40	0.489	12.42	32.75	145.68	104.54	18.30
C1100-112-1000-X	1.100	27.94	0.112	2.84	1.000	25.40	0.627	15.92	0.530	13.46	32.75	145.68	87.71	15.36
C1100-112-1250-X	1.100	27.94	0.112	2.84	1.250	31.75	0.756	19.21	0.610	15.49	32.75	145.68	66.31	11.61
C1100-112-1500-X	1.100	27.94	0.112	2.84	1.500	38.10	0.886	22.50	0.690	17.53	32.75	145.68	53.31	9.33
C1100-112-1750-X	1.100	27.94	0.112	2.84	1.750	44.45	1.015	25.79	0.771	19.58	32.75	145.68	44.57	7.81
C1100-112-2000-X	1.100	27.94	0.112	2.84	2.000	50.80	1.145	29.09	0.851	21.62	32.75	145.68	38.32	6.71
C1100-112-2250-X	1.100	27.94	0.112	2.84	2.250	57.15	1.274	32.37	0.932	23.67	32.75	145.68	33.57	5.88
C1100-112-2500-X	1.100	27.94	0.112	2.84	2.500	63.50	1.405	35.68	1.012	25.70	32.75	145.68	29.90	5.24

316 STAINLESS STEEL

Catalog #	Outside Diameter (OD)		Wire Diameter (d)		Free Length (L) Approx		Load Length (L ₁)		Solid Height (Sh) Approx		Load (P) at L ₁		Spring Rate (R)	
	in	mm	in	mm	in	mm	in	mm	in	mm	lb	N	lb/in	N/mm
C1100-112-3000-X	1.100	27.94	0.112	2.84	3.000	76.20	1.663	42.24	1.173	29.79	32.75	145.68	24.49	4.29
C1100-112-3500-X	1.100	27.94	0.112	2.84	3.500	88.90	1.921	48.80	1.333	33.86	32.75	145.68	20.74	3.63
C1100-112-4000-X	1.100	27.94	0.112	2.84	4.000	101.60	2.180	55.37	1.494	37.95	32.75	145.68	17.99	3.15
C1100-112-4500-X	1.100	27.94	0.112	2.84	4.500	114.30	2.442	62.02	1.655	42.04	32.75	145.68	15.91	2.78
C1100-125-0880-X	1.100	27.94	0.125	3.18	0.880	22.35	0.615	15.62	0.556	14.12	42.90	190.83	161.85	28.35
C1100-125-1000-X	1.100	27.94	0.125	3.18	1.000	25.40	0.684	17.38	0.603	15.32	42.90	190.83	135.95	23.82
C1100-125-1250-X	1.100	27.94	0.125	3.18	1.250	31.75	0.829	21.06	0.699	17.75	42.90	190.83	101.96	17.86
C1100-125-1500-X	1.100	27.94	0.125	3.18	1.500	38.10	0.974	24.74	0.796	20.22	42.90	190.83	81.55	14.29
C1100-125-1750-X	1.100	27.94	0.125	3.18	1.750	44.45	1.119	28.42	0.893	22.68	42.90	190.83	67.97	11.91
C1100-125-2000-X	1.100	27.94	0.125	3.18	2.000	50.80	1.263	32.09	0.989	25.12	42.90	190.83	58.23	10.19
C1100-125-2250-X	1.100	27.94	0.125	3.18	2.250	57.15	1.408	35.77	1.086	27.58	42.90	190.83	50.98	8.93
C1100-125-2500-X	1.100	27.94	0.125	3.18	2.500	63.50	1.553	39.45	1.183	30.05	42.90	190.83	45.32	7.93
C1100-125-3000-X	1.100	27.94	0.125	3.18	3.000	76.20	1.843	46.80	1.376	34.95	42.90	190.83	37.07	6.50
C1100-125-3500-X	1.100	27.94	0.125	3.18	3.500	88.90	2.134	54.20	1.569	39.85	42.90	190.83	31.40	5.50
C1100-125-4000-X	1.100	27.94	0.125	3.18	4.000	101.60	2.420	61.47	1.763	44.78	42.90	190.83	27.16	4.76
C1100-125-4500-X	1.100	27.94	0.125	3.18	4.500	114.30	2.712	68.88	1.956	49.68	42.90	190.83	23.99	4.20
C1100-135-1500-X	1.100	27.94	0.135	3.43	1.500	38.10	1.017	25.84	0.874	22.20	53.75	239.09	111.37	19.51
C1100-135-2000-X	1.100	27.94	0.135	3.43	2.000	50.80	1.321	33.57	1.092	27.74	53.75	239.09	79.22	13.87
C1100-135-2500-X	1.100	27.94	0.135	3.43	2.500	63.50	1.626	41.29	1.310	33.27	53.75	239.09	61.48	10.77
C1100-135-3000-X	1.100	27.94	0.135	3.43	3.000	76.20	1.930	49.02	1.528	38.81	53.75	239.09	50.23	8.79
C1100-135-3500-X	1.100	27.94	0.135	3.43	3.500	88.90	2.232	56.70	1.746	44.35	53.75	239.09	42.40	7.43
C1100-135-4000-X	1.100	27.94	0.135	3.43	4.000	101.60	2.537	64.44	1.964	49.89	53.75	239.09	36.74	6.43
C1100-135-4500-X	1.100	27.94	0.135	3.43	4.500	114.30	2.841	72.17	2.182	55.42	53.75	239.09	32.40	5.67
C1100-135-5000-X	1.100	27.94	0.135	3.43	5.000	127.00	3.146	79.90	2.400	60.96	53.75	239.09	28.99	5.08
D23380X	1.110	28.20	0.126	3.20	1.673	42.50	1.259	31.99	0.693	17.60	756.29	170.02	92.39	16.18
D23390X	1.110	28.20	0.126	3.20	2.500	63.50	1.850	46.99	0.945	24.00	756.29	170.02	58.81	10.30
D23400X	1.110	28.20	0.126	3.20	3.720	94.50	2.719	69.05	1.323	33.60	756.29	170.02	38.14	6.68
D23410X	1.110	28.20	0.126	3.20	5.315	135.00	3.841	97.55	1.827	46.40	756.29	170.02	25.92	4.54
D23420X	1.110	28.20	0.126	3.20	7.874	200.00	5.694	144.62	2.583	65.60	756.29	170.02	17.53	3.07
D23580X	1.142	29.00	0.157	4.00	1.614	41.00	1.321	33.56	0.866	22.00	1314.23	295.45	226.69	39.70
D23590X	1.142	29.00	0.157	4.00	2.382	60.50	1.921	48.79	1.181	30.00	1314.23	295.45	144.12	25.24
D23600X	1.142	29.00	0.157	4.00	3.524	89.50	2.812	71.42	1.654	42.00	1314.23	295.45	93.30	16.34
D23610X	1.142	29.00	0.157	4.00	5.118	130.00	4.071	103.41	2.283	58.00	1314.23	295.45	63.44	11.11
D23620X	1.142	29.00	0.157	4.00	7.283	185.00	5.735	145.66	3.228	82.00	1314.23	295.45	42.88	7.51
D23260X	1.181	30.00	0.110	2.80	1.850	47.00	1.253	31.83	0.606	15.40	499.31	112.25	42.26	7.40
D23270X	1.181	30.00	0.110	2.80	2.783	70.70	1.845	46.87	0.827	21.00	499.31	112.25	26.89	4.71
D23780X	1.181	30.00	0.197	5.00	1.614	41.00	1.413	35.89	1.083	27.50	2209.30	496.67	555.08	97.21
D23790X	1.181	30.00	0.197	5.00	2.362	60.00	2.045	51.95	1.476	37.50	2209.30	496.67	352.20	61.68
D23800X	1.181	30.00	0.197	5.00	3.445	87.50	2.954	75.04	2.067	52.50	2209.30	496.67	227.66	39.87
D23810X	1.181	30.00	0.197	5.00	4.921	125.00	4.201	106.71	2.854	72.50	2209.30	496.67	155.03	27.15
D23820X	1.181	30.00	0.197	5.00	7.087	180.00	6.018	152.86	4.035	102.50	2209.30	496.67	104.50	18.30
C1225-085-0875-X	1.225	31.12	0.085	2.16	0.880	22.35	0.429	10.90	0.330	8.38	13.74	61.12	30.49	5.34
C1225-085-1000-X	1.225	31.12	0.085	2.16	1.000	25.40	0.470	11.93	0.351	8.92	13.74	61.12	25.91	4.54
C1225-085-1500-X	1.225	31.12	0.085	2.16	1.500	38.10	0.650	16.50	0.434	11.02	13.74	61.12	16.16	2.84
C1225-085-2000-X	1.225	31.12	0.085	2.16	2.000	50.80	0.830	21.08	0.518	13.16	13.74	61.12	11.75	2.07
C1225-085-2500-X	1.225	31.12	0.085	2.16	2.500	63.50	1.014	25.75	0.601	15.27	13.74	61.12	9.25	1.63
C1225-085-3000-X	1.225	31.12	0.085	2.16	3.000	76.20	1.187	30.15	0.684	17.37	13.74	61.12	7.58	1.33
C1225-085-3500-X	1.225	31.12	0.085	2.16	3.500	88.90	1.385	35.18	0.768	19.51	13.74	61.12	6.50	1.14
C1225-085-4000-X	1.225	31.12	0.085	2.16	4.000	101.60	1.538	39.06	0.851	21.62	13.74	61.12	5.58	0.98
C1225-085-4500-X	1.225	31.12	0.085	2.16	4.500	114.30	1.751	44.46	0.934	23.72	13.74	61.12	5.00	0.88
C1225-085-5000-X	1.225	31.12	0.085	2.16	5.000	127.00	1.887	47.94	1.018	25.86	13.74	61.12	4.41	0.77
C1225-096-0875-X	1.225	31.12	0.096	2.44	0.880	22.35	0.493	12.51	0.377	9.58	19.23	85.54	49.65	8.70
C1225-096-1000-X	1.225	31.12	0.096	2.44	1.000	25.40	0.542	13.77	0.402	10.21	19.23	85.54	41.98	7.36
C1225-096-1250-X	1.225	31.12	0.096	2.44	1.250	31.75	0.650	16.52	0.452	11.48	19.23	85.54	32.07	5.62
C1225-096-1500-X	1.225	31.12	0.096	2.44	1.500	38.10	0.758	19.25	0.502	12.75	19.23	85.54	25.91	4.54
C1225-096-1750-X	1.225	31.12	0.096	2.44	1.750	44.45	0.866	21.98	0.552	14.02	19.23	85.54	21.74	3.80
C1225-096-2000-X	1.225	31.12	0.096	2.44	2.000	50.80	0.974	24.74	0.602	15.29	19.23	85.54	18.74	3.27
C1225-096-2250-X	1.225	31.12	0.096	2.44	2.250	57.15	1.084	27.54	0.652	16.56	19.23	85.54	16.49	2.89
C1225-096-2500-X	1.225	31.12	0.096	2.44	2.500	63.50	1.188	30.18	0.702	17.83	19.23	85.54	14.66	2.57
C1225-096-2750-X	1.225	31.12	0.096	2.44	2.750	69.85	1.298	32.97	0.752	19.10	19.23	85.54	13.24	2.31
C1225-096-3000-X	1.225	31.12	0.096	2.44	3.000	76.20	1.408	35.76	0.802	20.37	19.23	85.54	12.08	2.12
C1225-096-3500-X	1.225	31.12	0.096	2.44	3.500	88.90	1.623	41.23	0.902	22.91	19.23	85.54	10.25	1.80
C1225-096-4000-X	1.225	31.12	0.096	2.44	4.000	101.60	1.843	46.80	1.002	25.45	19.23	85.54	8.91	1.56
C1225-096-4500-X	1.225	31.12	0.096	2.44	4.500	114.30	2.070	52.58	1.102	27.99	19.23	85.54	7.91	1.38

FOR INFORMATION ON ALTERNATIVE FINISHES, SEE PAGE 311

SPEC

316 STAINLESS STEEL

Catalog #	Outside Diameter (OD)		Wire Diameter (d)		Free Length (L) Approx		Load Length (L ₁)		Solid Height (Sh) Approx		Load (P) at L ₁		Spring Rate (R)	
	in	mm	in	mm	in	mm	in	mm	in	mm	lb	N	lb/in	N/mm
C1225-096-5000-X	1.225	31.12	0.096	2.44	5.000	127.00	2.284	58.02	1.202	30.53	19.23	85.54	7.08	1.24
C1225-105-0875-X	1.225	31.12	0.105	2.67	0.880	22.35	0.515	13.09	0.421	10.69	25.07	111.52	68.72	12.03
C1225-105-1000-X	1.225	31.12	0.105	2.67	1.000	25.40	0.567	14.40	0.450	11.43	25.07	111.52	57.89	10.14
C1225-105-1250-X	1.225	31.12	0.105	2.67	1.250	31.75	0.680	17.27	0.510	12.95	25.07	111.52	43.98	7.71
C1225-105-1500-X	1.225	31.12	0.105	2.67	1.500	38.10	0.792	20.12	0.569	14.45	25.07	111.52	35.40	6.20
C1225-105-2000-X	1.225	31.12	0.105	2.67	2.000	50.80	1.020	25.90	0.688	17.48	25.07	111.52	25.57	4.48
C1225-105-2500-X	1.225	31.12	0.105	2.67	2.500	63.50	1.246	31.65	0.807	20.50	25.07	111.52	19.99	3.50
C1225-105-3000-X	1.225	31.12	0.105	2.67	3.000	76.20	1.472	37.40	0.926	23.52	25.07	111.52	16.41	2.87
C1225-105-3500-X	1.225	31.12	0.105	2.67	3.500	88.90	1.698	43.13	1.045	26.54	25.07	111.52	13.91	2.43
C1225-105-4000-X	1.225	31.12	0.105	2.67	4.000	101.60	1.925	48.89	1.164	29.57	25.07	111.52	12.08	2.12
C1225-105-4500-X	1.225	31.12	0.105	2.67	4.500	114.30	2.149	54.59	1.283	32.59	25.07	111.52	10.66	1.87
C1225-105-5000-X	1.225	31.12	0.105	2.67	5.000	127.00	2.383	60.54	1.402	35.61	25.07	111.52	9.58	1.68
C1225-112-0875-X	1.225	31.12	0.112	2.84	0.880	22.35	0.542	13.77	0.455	11.56	29.57	131.53	87.55	15.34
C1225-112-1000-X	1.225	31.12	0.112	2.84	1.000	25.40	0.597	15.18	0.488	12.40	29.57	131.53	73.47	12.87
C1225-112-1250-X	1.225	31.12	0.112	2.84	1.250	31.75	0.718	18.23	0.556	14.12	29.57	131.53	55.56	9.74
C1225-112-1500-X	1.225	31.12	0.112	2.84	1.500	38.10	0.838	21.28	0.623	15.82	29.57	131.53	44.65	7.83
C1225-112-2000-X	1.225	31.12	0.112	2.84	2.000	50.80	1.078	27.38	0.757	19.23	29.57	131.53	32.07	5.62
C1225-112-2500-X	1.225	31.12	0.112	2.84	2.500	63.50	1.321	33.54	0.891	22.63	29.57	131.53	25.07	4.40
C1225-112-3000-X	1.225	31.12	0.112	2.84	3.000	76.20	1.557	39.54	1.026	26.06	29.57	131.53	20.49	3.59
C1225-112-3500-X	1.225	31.12	0.112	2.84	3.500	88.90	1.801	45.75	1.160	29.46	29.57	131.53	17.41	3.05
C1225-112-4000-X	1.225	31.12	0.112	2.84	4.000	101.60	2.039	51.78	1.294	32.87	29.57	131.53	15.08	2.64
C1225-125-0875-X	1.225	31.12	0.125	3.18	0.880	22.35	0.591	15.02	0.517	13.13	38.78	172.50	134.36	23.54
C1225-125-1000-X	1.225	31.12	0.125	3.18	1.000	25.40	0.654	16.60	0.558	14.17	38.78	172.50	111.96	19.61
C1225-125-1250-X	1.225	31.12	0.125	3.18	1.250	31.75	0.788	20.02	0.639	16.23	38.78	172.50	83.97	14.71
C1225-125-1500-X	1.225	31.12	0.125	3.18	1.500	38.10	0.922	23.43	0.721	18.31	38.78	172.50	67.14	11.75
C1225-125-1750-X	1.225	31.12	0.125	3.18	1.750	44.45	1.057	26.85	0.803	20.40	38.78	172.50	55.98	9.81
C1225-125-2000-X	1.225	31.12	0.125	3.18	2.000	50.80	1.192	30.27	0.885	22.48	38.78	172.50	47.98	8.41
C1225-125-2250-X	1.225	31.12	0.125	3.18	2.250	57.15	1.326	33.69	0.966	24.54	38.78	172.50	41.98	7.36
C1225-125-2500-X	1.225	31.12	0.125	3.18	2.500	63.50	1.461	37.11	1.048	26.62	38.78	172.50	37.32	6.53
C1225-125-2750-X	1.225	31.12	0.125	3.18	2.750	69.85	1.595	40.51	1.130	28.70	38.78	172.50	33.57	5.88
C1225-125-3000-X	1.225	31.12	0.125	3.18	3.000	76.20	1.732	43.98	1.212	30.78	38.78	172.50	30.57	5.36
C1225-125-3500-X	1.225	31.12	0.125	3.18	3.500	88.90	1.998	50.76	1.375	34.93	38.78	172.50	25.82	4.52
C1225-125-4000-X	1.225	31.12	0.125	3.18	4.000	101.60	2.269	57.64	1.539	39.09	38.78	172.50	22.41	3.92
C1225-125-4500-X	1.225	31.12	0.125	3.18	4.500	114.30	2.536	64.41	1.702	43.23	38.78	172.50	19.74	3.45
C1225-125-5000-X	1.225	31.12	0.125	3.18	5.000	127.00	2.804	71.22	1.865	47.37	38.78	172.50	17.66	3.10
C1225-135-0880-X	1.225	31.12	0.135	3.43	0.880	22.35	0.614	15.59	0.565	14.35	48.63	216.32	182.59	31.98
C1225-135-1000-X	1.225	31.12	0.135	3.43	1.000	25.40	0.681	17.30	0.609	15.47	48.63	216.32	152.52	26.71
C1225-135-1250-X	1.225	31.12	0.135	3.43	1.250	31.75	0.822	20.88	0.702	17.83	48.63	216.32	113.62	19.89
C1225-135-1500-X	1.225	31.12	0.135	3.43	1.500	38.10	0.963	24.46	0.795	20.19	48.63	216.32	90.55	15.87
C1225-135-2000-X	1.225	31.12	0.135	3.43	2.000	50.80	1.245	31.62	0.982	24.94	48.63	216.32	64.39	11.28
C1225-135-2500-X	1.225	31.12	0.135	3.43	2.500	63.50	1.527	38.79	1.168	29.67	48.63	216.32	49.98	8.76
C1225-135-3000-X	1.225	31.12	0.135	3.43	3.000	76.20	1.809	45.94	1.354	34.39	48.63	216.32	40.82	7.15
C1225-135-3500-X	1.225	31.12	0.135	3.43	3.500	88.90	2.090	53.09	1.540	39.12	48.63	216.32	34.49	6.04
C1225-148-0880-X	1.225	31.12	0.148	3.76	0.880	22.35	0.645	16.38	0.621	15.77	63.67	283.22	270.73	47.41
C1225-148-1000-X	1.225	31.12	0.148	3.76	1.000	25.40	0.716	18.20	0.673	17.09	63.67	283.22	224.58	39.33
C1225-148-1250-X	1.225	31.12	0.148	3.76	1.250	31.75	0.866	21.99	0.781	19.84	63.67	283.22	165.68	29.02
C1225-148-1500-X	1.225	31.12	0.148	3.76	1.500	38.10	1.015	25.78	0.888	22.56	63.67	283.22	131.28	22.99
C1225-148-2000-X	1.225	31.12	0.148	3.76	2.000	50.80	1.314	33.37	1.104	28.04	63.67	283.22	92.80	16.25
C1225-148-2500-X	1.225	31.12	0.148	3.76	2.500	63.50	1.612	40.95	1.319	33.50	63.67	283.22	71.72	12.56
C1225-148-3000-X	1.225	31.12	0.148	3.76	3.000	76.20	1.911	48.55	1.534	38.96	63.67	283.22	58.48	10.24
C1225-148-3500-X	1.225	31.12	0.148	3.76	3.500	88.90	2.209	56.11	1.749	44.42	63.67	283.22	49.31	8.63
C1225-148-4000-X	1.225	31.12	0.148	3.76	4.000	101.60	2.507	63.68	1.965	49.91	63.67	283.22	42.65	7.48
C1225-148-4500-X	1.225	31.12	0.148	3.76	4.500	114.30	2.805	71.25	2.180	55.37	63.67	283.22	37.57	6.58
C1225-148-5000-X	1.225	31.12	0.148	3.76	5.000	127.00	3.103	78.83	2.395	60.83	63.67	283.22	33.57	5.88
C1225-162-1000-X	1.225	31.12	0.162	4.11	1.000	25.40	0.766	19.47	0.727	18.47	80.67	358.84	345.36	60.49
C1225-162-1500-X	1.225	31.12	0.162	4.11	1.500	38.10	1.094	27.78	0.965	24.51	80.67	358.84	198.50	34.76
C1225-162-2000-X	1.225	31.12	0.162	4.11	2.000	50.80	1.421	36.09	1.204	30.58	80.67	358.84	139.28	24.40
C1225-162-2500-X	1.225	31.12	0.162	4.11	2.500	63.50	1.748	44.40	1.442	36.63	80.67	358.84	107.29	18.79
C1225-162-3000-X	1.225	31.12	0.162	4.11	3.000	76.20	2.075	52.71	1.680	42.67	80.67	358.84	87.22	15.27
C1225-162-3500-X	1.225	31.12	0.162	4.11	3.500	88.90	2.402	61.01	1.918	48.72	80.67	358.84	73.47	12.87
C1225-162-4000-X	1.225	31.12	0.162	4.11	4.000	101.60	2.729	69.32	2.157	54.79	80.67	358.84	63.47	11.12
C1225-162-4500-X	1.225	31.12	0.162	4.11	4.500	114.30	3.057	77.64	2.395	60.83	80.67	358.84	55.89	9.79
C1225-162-5000-X	1.225	31.12	0.162	4.11	5.000	127.00	3.383	85.94	2.633	66.88	80.67	358.84	49.90	8.74
C1225-177-1500-X	1.225	31.12	0.177	4.50	1.500	38.10	1.165	29.59	1.057	26.85	98.57	438.46	294.05	51.50

316 STAINLESS STEEL

Catalog #	Outside Diameter (OD)		Wire Diameter (d)		Free Length (L) Approx		Load Length (L ₁)		Solid Height (Sh) Approx		Load (P) at L ₁		Spring Rate (R)	
	in	mm	in	mm	in	mm	in	mm	in	mm	lb	N	lb/in	N/mm
	C1225-177-2000-X	1.225	31.12	0.177	4.50	2.000	50.80	1.519	38.57	1.325	33.66	98.57	438.46	204.75
C1225-177-2500-X	1.225	31.12	0.177	4.50	2.500	63.50	1.872	47.56	1.594	40.49	98.57	438.46	157.02	27.49
C1225-177-3000-X	1.225	31.12	0.177	4.50	3.000	76.20	2.226	56.54	1.862	47.29	98.57	438.46	127.37	22.31
C1225-177-3500-X	1.225	31.12	0.177	4.50	3.500	88.90	2.580	65.53	2.130	54.10	98.57	438.46	107.12	18.76
C1225-177-4000-X	1.225	31.12	0.177	4.50	4.000	101.60	2.933	74.50	2.398	60.91	98.57	438.46	92.38	16.18
C1225-177-4500-X	1.225	31.12	0.177	4.50	4.500	114.30	3.288	83.51	2.666	67.72	98.57	438.46	81.30	14.24
C1225-177-5000-X	1.225	31.12	0.177	4.50	5.000	127.00	3.641	92.49	2.934	74.52	98.57	438.46	72.55	12.71
C1225-192-1500-X	1.225	31.12	0.192	4.88	1.500	38.10	1.227	31.16	1.139	28.93	117.39	522.18	429.91	75.29
C1225-192-2000-X	1.225	31.12	0.192	4.88	2.000	50.80	1.605	40.76	1.435	36.45	117.39	522.18	296.88	52.00
C1225-192-2500-X	1.225	31.12	0.192	4.88	2.500	63.50	1.982	50.35	1.730	43.94	117.39	522.18	226.74	39.70
C1225-192-3000-X	1.225	31.12	0.192	4.88	3.000	76.20	2.360	59.94	2.025	51.44	117.39	522.18	183.43	32.12
C1225-192-3500-X	1.225	31.12	0.192	4.88	3.500	88.90	2.737	69.53	2.321	58.95	117.39	522.18	153.94	26.95
C1225-192-4000-X	1.225	31.12	0.192	4.88	4.000	101.60	3.115	79.13	2.616	66.45	117.39	522.18	132.70	23.24
C1225-192-4500-X	1.225	31.12	0.192	4.88	4.500	114.30	3.493	88.71	2.912	73.96	117.39	522.18	116.54	20.40
C1225-192-5000-X	1.225	31.12	0.192	4.88	5.000	127.00	3.871	98.32	3.207	81.46	117.39	522.18	103.96	18.21
C1225-207-2000-X	1.225	31.12	0.207	5.26	2.000	50.80	1.653	41.99	1.543	39.19	145.77	648.42	420.50	73.64
C1225-207-2500-X	1.225	31.12	0.207	5.26	2.500	63.50	2.044	51.92	1.867	47.42	145.77	648.42	319.71	55.99
C1225-207-3000-X	1.225	31.12	0.207	5.26	3.000	76.20	2.435	61.84	2.190	55.63	145.77	648.42	257.90	45.17
C1225-207-3500-X	1.225	31.12	0.207	5.26	3.500	88.90	2.825	71.76	2.514	63.86	145.77	648.42	216.08	37.84
C1225-207-4000-X	1.225	31.12	0.207	5.26	4.000	101.60	3.216	81.69	2.837	72.06	145.77	648.42	185.93	32.56
C1225-207-4500-X	1.225	31.12	0.207	5.26	4.500	114.30	3.607	91.61	3.161	80.29	145.77	648.42	163.18	28.58
C1225-207-5000-X	1.225	31.12	0.207	5.26	5.000	127.00	3.998	101.54	3.484	88.49	145.77	648.42	145.44	25.46
D23140X	1.358	34.50	0.098	2.50	2.815	71.50	1.836	46.63	0.541	13.75	320.85	72.13	16.56	2.90
D23150X	1.358	34.50	0.098	2.50	4.331	110.00	2.796	71.01	0.738	18.75	320.85	72.13	10.56	1.85
D23160X	1.358	34.50	0.098	2.50	6.693	170.00	4.307	109.39	1.033	26.25	320.85	72.13	6.80	1.19
D23170X	1.358	34.50	0.098	2.50	9.646	245.00	6.140	155.95	1.427	36.25	320.85	72.13	4.63	0.81
D23180X	1.358	34.50	0.098	2.50	14.173	360.00	9.010	228.85	2.018	51.25	320.85	72.13	3.14	0.55
D23430X	1.386	35.20	0.126	3.20	2.303	58.50	1.604	40.73	0.693	17.60	613.54	137.93	44.31	7.76
D23440X	1.386	35.20	0.126	3.20	3.484	88.50	2.383	60.52	0.945	24.00	613.54	137.93	28.15	4.93
D23450X	1.386	35.20	0.126	3.20	5.315	135.00	3.607	91.63	1.323	33.60	613.54	137.93	18.16	3.18
D23460X	1.386	35.20	0.126	3.20	7.480	190.00	4.978	126.44	1.827	46.40	613.54	137.93	12.39	2.17
D23470X	1.386	35.20	0.126	3.20	11.024	280.00	7.330	186.17	2.583	65.60	613.54	137.93	8.39	1.47
D23630X	1.417	36.00	0.157	4.00	2.106	53.50	1.604	40.73	0.866	22.00	1076.38	241.98	108.21	18.95
D23640X	1.417	36.00	0.157	4.00	3.130	79.50	2.337	59.35	1.181	30.00	1076.38	241.98	68.58	12.01
D23650X	1.417	36.00	0.157	4.00	4.724	120.00	3.502	88.94	1.654	42.00	1076.38	241.98	44.48	7.79
D23660X	1.417	36.00	0.157	4.00	6.693	170.00	4.892	124.26	2.283	58.00	1076.38	241.98	30.21	5.29
D23670X	1.417	36.00	0.157	4.00	9.843	250.00	7.181	182.41	3.228	82.00	1076.38	241.98	20.44	3.58
D23830X	1.457	37.00	0.197	5.00	2.008	51.00	1.657	42.08	1.083	27.50	1831.55	411.75	263.58	46.16
D23840X	1.457	37.00	0.197	5.00	2.953	75.00	2.401	60.99	1.476	37.50	1831.55	411.75	167.88	29.40
D23850X	1.457	37.00	0.197	5.00	4.331	110.00	3.479	88.36	2.067	52.50	1831.55	411.75	108.66	19.03
D23860X	1.457	37.00	0.197	5.00	6.299	160.00	5.043	128.08	2.854	72.50	1831.55	411.75	73.66	12.90
D23870X	1.457	37.00	0.197	5.00	9.055	230.00	7.200	182.89	4.035	102.50	1831.55	411.75	49.91	8.74
C1460-112-1500-X	1.460	37.08	0.112	2.84	1.500	38.10	0.773	19.64	0.531	13.49	25.00	111.21	34.40	6.02
C1460-112-2000-X	1.460	37.08	0.112	2.84	2.000	50.80	0.986	25.05	0.629	15.98	25.00	111.21	24.66	4.33
C1460-112-2500-X	1.460	37.08	0.112	2.84	2.500	63.50	1.201	30.50	0.727	18.47	25.00	111.21	19.24	3.36
C1460-112-3000-X	1.460	37.08	0.112	2.84	3.000	76.20	1.420	36.08	0.825	20.96	25.00	111.21	15.83	2.77
C1460-112-3500-X	1.460	37.08	0.112	2.84	3.500	88.90	1.636	41.55	0.924	23.47	25.00	111.21	13.41	2.35
C1460-112-4000-X	1.460	37.08	0.112	2.84	4.000	101.60	1.841	46.76	1.022	25.96	25.00	111.21	11.58	2.03
C1460-125-1500-X	1.460	37.08	0.125	3.18	1.500	38.10	0.851	21.61	0.616	15.65	32.83	146.04	50.56	8.86
C1460-125-2000-X	1.460	37.08	0.125	3.18	2.000	50.80	1.092	27.74	0.738	18.75	32.83	146.04	36.15	6.34
C1460-125-2500-X	1.460	37.08	0.125	3.18	2.500	63.50	1.331	33.80	0.859	21.82	32.83	146.04	28.07	4.92
C1460-125-3000-X	1.460	37.08	0.125	3.18	3.000	76.20	1.572	39.94	0.981	24.92	32.83	146.04	22.99	4.03
C1460-125-3500-X	1.460	37.08	0.125	3.18	3.500	88.90	1.809	45.94	1.102	27.99	32.83	146.04	19.41	3.40
C1460-125-4000-X	1.460	37.08	0.125	3.18	4.000	101.60	2.049	52.05	1.224	31.09	32.83	146.04	16.83	2.94
C1460-135-1500-X	1.460	37.08	0.135	3.43	1.500	38.10	0.884	22.45	0.682	17.32	41.20	183.27	66.89	11.72
C1460-135-2000-X	1.460	37.08	0.135	3.43	2.000	50.80	1.134	28.80	0.823	20.90	41.20	183.27	47.56	8.34
C1460-135-2500-X	1.460	37.08	0.135	3.43	2.500	63.50	1.383	35.14	0.963	24.46	41.20	183.27	36.90	6.46
C1460-135-3000-X	1.460	37.08	0.135	3.43	3.000	76.20	1.634	41.49	1.103	28.02	41.20	183.27	30.15	5.29
C1460-135-3500-X	1.460	37.08	0.135	3.43	3.500	88.90	1.884	47.84	1.243	31.57	41.20	183.27	25.49	4.47
C1460-135-4000-X	1.460	37.08	0.135	3.43	4.000	101.60	2.134	54.19	1.393	35.38	41.20	183.27	22.07	3.87
C1460-148-1500-X	1.460	37.08	0.148	3.76	1.500	38.10	0.930	23.61	0.768	19.51	54.03	240.34	94.71	16.58
C1460-148-2000-X	1.460	37.08	0.148	3.76	2.000	50.80	1.192	30.28	0.933	23.70	54.03	240.34	66.89	11.72
C1460-148-2500-X	1.460	37.08	0.148	3.76	2.500	63.50	1.456	36.97	1.098	27.89	54.03	240.34	51.73	9.05
C1460-148-3000-X	1.460	37.08	0.148	3.76	3.000	76.20	1.718	43.64	1.263	32.08	54.03	240.34	42.15	7.39

COMPRESSION SPRINGS (OD) 0.047 - 0.353
COMPRESSION SPRINGS (OD) 0.353 - 0.588
COMPRESSION SPRINGS (OD) 0.588 - 0.970
COMPRESSION SPRINGS (OD) 0.970 - 1.410
COMPRESSION SPRINGS (OD) 1.410 - 2.820
316 STAINLESS STEEL COMPRESSION SPRINGS
HEAVY DUTY COMPRESSION SPRINGS
CONICAL COMPRESSION SPRINGS
MULTI-WAVE COMPRESSION SPRINGS



316 STAINLESS STEEL

Catalog #	Outside Diameter (OD)		Wire Diameter (d)		Free Length (L) Approx		Load Length (L _i)		Solid Height (Sh) Approx		Load (P) at L _i		Spring Rate (R)	
	in	mm	in	mm	in	mm	in	mm	in	mm	lb	N	lb/in	N/mm
C1460-148-3500-X	1.460	37.08	0.148	3.76	3.500	88.90	1.981	50.32	1.428	36.27	54.03	240.34	35.57	6.23
C1460-148-4000-X	1.460	37.08	0.148	3.76	4.000	101.60	2.247	57.08	1.593	40.46	54.03	240.34	30.82	5.39
C1460-162-1500-X	1.460	37.08	0.162	4.11	1.500	38.10	0.993	25.23	0.857	21.77	68.57	305.01	135.28	23.69
C1460-162-2000-X	1.460	37.08	0.162	4.11	2.000	50.80	1.278	32.46	1.049	26.64	68.57	305.01	94.96	16.64
C1460-162-2500-X	1.460	37.08	0.162	4.11	2.500	63.50	1.563	39.69	1.241	31.52	68.57	305.01	73.14	12.80
C1460-162-3000-X	1.460	37.08	0.162	4.11	3.000	76.20	1.847	46.92	1.433	36.40	68.57	305.01	59.48	10.42
C1460-162-3500-X	1.460	37.08	0.162	4.11	3.500	88.90	2.130	54.11	1.625	41.28	68.57	305.01	50.06	8.77
C1460-162-4000-X	1.460	37.08	0.162	4.11	4.000	101.60	2.417	61.39	1.817	46.15	68.57	305.01	43.32	7.58
C1460-162-4500-X	1.460	37.08	0.162	4.11	4.500	114.30	2.699	68.55	2.009	51.03	68.57	305.01	38.07	6.67
C1460-162-5000-X	1.460	37.08	0.162	4.11	5.000	127.00	2.983	75.76	2.201	55.91	68.57	305.01	33.99	5.95
C1687-135-1500-X	1.687	42.85	0.135	3.43	1.500	38.10	0.831	21.11	0.605	15.37	35.89	159.65	53.65	9.40
C1687-135-2000-X	1.687	42.85	0.135	3.43	2.000	50.80	1.059	26.91	0.714	18.14	35.89	159.65	38.15	6.69
C1687-135-2500-X	1.687	42.85	0.135	3.43	2.500	63.50	1.286	32.67	0.823	20.90	35.89	159.65	29.57	5.18
C1687-135-3000-X	1.687	42.85	0.135	3.43	3.000	76.20	1.514	38.46	0.932	23.67	35.89	159.65	24.16	4.24
C1687-135-3500-X	1.687	42.85	0.135	3.43	3.500	88.90	1.741	44.23	1.041	26.44	35.89	159.65	20.41	3.57
C1687-135-4000-X	1.687	42.85	0.135	3.43	4.000	101.60	1.968	49.98	1.150	29.21	35.89	159.65	17.66	3.10
C1687-135-4500-X	1.687	42.85	0.135	3.43	4.500	114.30	2.196	55.78	1.259	31.98	35.89	159.65	15.58	2.73
C1687-135-5000-X	1.687	42.85	0.135	3.43	5.000	127.00	2.420	61.47	1.368	34.75	35.89	159.65	13.91	2.43
C1687-148-1500-X	1.687	42.85	0.148	3.76	1.500	38.10	0.870	22.09	0.682	17.32	47.10	209.51	74.72	13.08
C1687-148-2000-X	1.687	42.85	0.148	3.76	2.000	50.80	1.108	28.15	0.812	20.62	47.10	209.51	52.81	9.25
C1687-148-2500-X	1.687	42.85	0.148	3.76	2.500	63.50	1.346	34.19	0.942	23.93	47.10	209.51	40.82	7.15
C1687-148-3000-X	1.687	42.85	0.148	3.76	3.000	76.20	1.583	40.21	1.071	27.20	47.10	209.51	33.24	5.81
C1687-148-3500-X	1.687	42.85	0.148	3.76	3.500	88.90	1.822	46.28	1.201	30.51	47.10	209.51	28.07	4.92
C1687-148-4000-X	1.687	42.85	0.148	3.76	4.000	101.60	2.057	52.25	1.331	33.81	47.10	209.51	24.24	4.24
C1687-148-4500-X	1.687	42.85	0.148	3.76	4.500	114.30	2.300	58.42	1.461	37.11	47.10	209.51	21.41	3.75
C1687-148-5000-X	1.687	42.85	0.148	3.76	5.000	127.00	2.531	64.28	1.590	40.39	47.10	209.51	19.08	3.34
C1687-162-1500-X	1.687	42.85	0.162	4.11	1.500	38.10	0.929	23.60	0.765	19.43	59.84	266.18	104.79	18.35
C1687-162-2000-X	1.687	42.85	0.162	4.11	2.000	50.80	1.186	30.11	0.918	23.32	59.84	266.18	73.47	12.87
C1687-162-2500-X	1.687	42.85	0.162	4.11	2.500	63.50	1.444	36.67	1.070	27.18	59.84	266.18	56.64	9.91
C1687-162-3000-X	1.687	42.85	0.162	4.11	3.000	76.20	1.701	43.21	1.223	31.06	59.84	266.18	46.06	8.07
C1687-162-3500-X	1.687	42.85	0.162	4.11	3.500	88.90	1.959	49.75	1.376	34.95	59.84	266.18	38.82	6.79
C1687-162-4000-X	1.687	42.85	0.162	4.11	4.000	101.60	2.213	56.21	1.529	38.84	59.84	266.18	33.49	5.87
C1687-162-4500-X	1.687	42.85	0.162	4.11	4.500	114.30	2.471	62.76	1.682	42.72	59.84	266.18	29.49	5.17
C1687-162-5000-X	1.687	42.85	0.162	4.11	5.000	127.00	2.727	69.26	1.835	46.61	59.84	266.18	26.32	4.61
C1687-177-1500-X	1.687	42.85	0.177	4.50	1.500	38.10	1.004	25.51	0.851	21.62	73.35	326.28	148.02	25.92
C1687-177-2000-X	1.687	42.85	0.177	4.50	2.000	50.80	1.288	32.72	1.029	26.14	73.35	326.28	103.04	18.04
C1687-177-2500-X	1.687	42.85	0.177	4.50	2.500	63.50	1.572	39.93	1.207	30.66	73.35	326.28	79.05	13.85
C1687-177-3000-X	1.687	42.85	0.177	4.50	3.000	76.20	1.855	47.12	1.385	35.18	73.35	326.28	64.06	11.23
C1687-177-3500-X	1.687	42.85	0.177	4.50	3.500	88.90	2.139	54.33	1.563	39.70	73.35	326.28	53.90	9.44
C1687-177-4000-X	1.687	42.85	0.177	4.50	4.000	101.60	2.422	61.52	1.741	44.22	73.35	326.28	46.48	8.14
C1687-177-4500-X	1.687	42.85	0.177	4.50	4.500	114.30	2.707	68.75	1.920	48.77	73.35	326.28	40.90	7.16
C1687-177-5000-X	1.687	42.85	0.177	4.50	5.000	127.00	2.990	75.94	2.098	53.29	73.35	326.28	36.49	6.39
C1687-192-1500-X	1.687	42.85	0.192	4.88	1.500	38.10	1.075	27.30	0.934	23.72	87.66	389.93	206.08	36.09
C1687-192-2000-X	1.687	42.85	0.192	4.88	2.000	50.80	1.384	35.16	1.137	28.88	87.66	389.93	142.36	24.94
C1687-192-2500-X	1.687	42.85	0.192	4.88	2.500	63.50	1.694	43.02	1.340	34.04	87.66	389.93	108.71	19.04
C1687-192-3000-X	1.687	42.85	0.192	4.88	3.000	76.20	2.003	50.89	1.543	39.19	87.66	389.93	87.96	15.41
C1687-192-3500-X	1.687	42.85	0.192	4.88	3.500	88.90	2.312	58.73	1.747	44.37	87.66	389.93	73.80	12.92
C1687-192-4000-X	1.687	42.85	0.192	4.88	4.000	101.60	2.623	66.61	1.950	49.53	87.66	389.93	63.64	11.14
C1687-192-4500-X	1.687	42.85	0.192	4.88	4.500	114.30	2.932	74.46	2.153	54.69	87.66	389.93	55.89	9.79
C1687-192-5000-X	1.687	42.85	0.192	4.88	5.000	127.00	3.240	82.30	2.356	59.84	87.66	389.93	49.81	8.72
D23480X	1.701	43.20	0.126	3.20	3.228	82.00	2.104	53.45	0.693	17.60	504.25	113.36	22.67	3.97
D23490X	1.701	43.20	0.126	3.20	4.921	125.00	3.150	80.02	0.945	24.00	504.25	113.36	14.39	2.52
D23500X	1.701	43.20	0.126	3.20	7.480	190.00	4.742	120.45	1.323	33.60	504.25	113.36	9.31	1.63
D23510X	1.701	43.20	0.126	3.20	10.827	275.00	6.806	172.87	1.827	46.40	504.25	113.36	6.34	1.11
D23520X	1.701	43.20	0.126	3.20	15.945	405.00	9.994	253.85	2.583	65.60	504.25	113.36	4.28	0.75
D23680X	1.732	44.00	0.157	4.00	2.795	71.00	1.984	50.40	0.866	22.00	890.58	200.21	55.50	9.72
D23690X	1.732	44.00	0.157	4.00	4.134	105.00	2.854	72.50	1.181	30.00	890.58	200.21	35.17	6.16
D23700X	1.732	44.00	0.157	4.00	6.299	160.00	4.324	109.82	1.654	42.00	890.58	200.21	22.78	3.99
D23710X	1.732	44.00	0.157	4.00	9.252	235.00	6.354	161.39	2.283	58.00	890.58	200.21	15.53	2.72
D23720X	1.732	44.00	0.157	4.00	13.386	340.00	9.079	230.60	3.228	82.00	890.58	200.21	10.45	1.83
D23880X	1.772	45.00	0.197	5.00	2.520	64.00	1.947	49.45	1.083	27.50	1528.32	343.58	134.82	23.61
D23890X	1.772	45.00	0.197	5.00	3.760	95.50	2.860	72.64	1.476	37.50	1528.32	343.58	85.82	15.03
D23900X	1.772	45.00	0.197	5.00	5.512	140.00	4.120	104.65	2.067	52.50	1528.32	343.58	55.50	9.72
D23910X	1.772	45.00	0.197	5.00	8.071	205.00	6.024	153.02	2.854	72.50	1528.32	343.58	37.74	6.61

316 STAINLESS STEEL

Catalog #	Outside Diameter (OD)		Wire Diameter (d)		Free Length (L) Approx		Load Length (L ₁)		Solid Height (Sh) Approx		Load (P) at L ₁		Spring Rate (R)	
	in	mm	in	mm	in	mm	in	mm	in	mm	lb	N	lb/in	N/mm
D23920X	1.772	45.00	0.197	5.00	11.811	300.00	8.778	222.96	4.035	102.50	1528.32	343.58	25.47	4.46
C1937-148-2000-X	1.937	49.20	0.148	3.76	2.000	50.80	1.040	26.42	0.716	18.19	41.26	183.53	42.98	7.53
C1937-148-2500-X	1.937	49.20	0.148	3.76	2.500	63.50	1.259	31.97	0.817	20.75	41.26	183.53	33.24	5.81
C1937-148-3000-X	1.937	49.20	0.148	3.76	3.000	76.20	1.476	37.49	0.919	23.34	41.26	183.53	27.07	4.75
C1937-148-3500-X	1.937	49.20	0.148	3.76	3.500	88.90	1.692	42.99	1.020	25.91	41.26	183.53	22.82	3.99
C1937-148-4000-X	1.937	49.20	0.148	3.76	4.000	101.60	1.910	48.52	1.122	28.50	41.26	183.53	19.74	3.45
C1937-148-4500-X	1.937	49.20	0.148	3.76	4.500	114.30	2.130	54.11	1.223	31.06	41.26	183.53	17.41	3.05
C1937-148-5000-X	1.937	49.20	0.148	3.76	5.000	127.00	2.351	59.72	1.324	33.63	41.26	183.53	15.58	2.73
C1937-148-5500-X	1.937	49.20	0.148	3.76	5.500	139.70	2.569	65.26	1.426	36.22	41.26	183.53	14.08	2.47
C1937-162-2000-X	1.937	49.20	0.162	4.11	2.000	50.80	1.111	28.21	0.810	20.57	52.46	233.35	58.98	10.33
C1937-162-2500-X	1.937	49.20	0.162	4.11	2.500	63.50	1.345	34.15	0.931	23.65	52.46	233.35	45.40	7.95
C1937-162-3000-X	1.937	49.20	0.162	4.11	3.000	76.20	1.579	40.09	1.052	26.72	52.46	233.35	36.90	6.46
C1937-162-3500-X	1.937	49.20	0.162	4.11	3.500	88.90	1.816	46.13	1.173	29.79	52.46	233.35	31.15	5.46
C1937-162-4000-X	1.937	49.20	0.162	4.11	4.000	101.60	2.050	52.08	1.293	32.84	52.46	233.35	26.91	4.71
C1937-162-4500-X	1.937	49.20	0.162	4.11	4.500	114.30	2.283	57.98	1.414	35.92	52.46	233.35	23.66	4.15
C1937-162-5000-X	1.937	49.20	0.162	4.11	5.000	127.00	2.521	64.03	1.535	38.99	52.46	233.35	21.16	3.71
C1937-162-5500-X	1.937	49.20	0.162	4.11	5.500	139.70	2.750	69.85	1.656	42.06	52.46	233.35	19.08	3.34
C1937-177-2500-X	1.937	49.20	0.177	4.50	2.500	63.50	1.469	37.30	1.054	26.77	64.36	286.29	62.39	10.93
C1937-177-3000-X	1.937	49.20	0.177	4.50	3.000	76.20	1.729	43.92	1.196	30.38	64.36	286.29	50.65	8.88
C1937-177-3500-X	1.937	49.20	0.177	4.50	3.500	88.90	1.988	50.50	1.339	34.01	64.36	286.29	42.57	7.46
C1937-177-4000-X	1.937	49.20	0.177	4.50	4.000	101.60	2.248	57.10	1.481	37.62	64.36	286.29	36.74	6.43
C1937-177-4500-X	1.937	49.20	0.177	4.50	4.500	114.30	2.509	63.72	1.624	41.25	64.36	286.29	32.32	5.66
C1937-177-5000-X	1.937	49.20	0.177	4.50	5.000	127.00	2.767	70.28	1.766	44.86	64.36	286.29	28.82	5.04
C1937-177-5500-X	1.937	49.20	0.177	4.50	5.500	139.70	3.024	76.80	1.908	48.46	64.36	286.29	25.99	4.55
C1937-177-6000-X	1.937	49.20	0.177	4.50	6.000	152.40	3.289	83.55	2.051	52.10	64.36	286.29	23.74	4.15
C1937-192-2500-X	1.937	49.20	0.192	4.88	2.500	63.50	1.589	40.35	1.176	29.87	76.99	342.47	84.47	14.80
C1937-192-3000-X	1.937	49.20	0.192	4.88	3.000	76.20	1.873	47.57	1.341	34.06	76.99	342.47	68.31	11.96
C1937-192-3500-X	1.937	49.20	0.192	4.88	3.500	88.90	2.157	54.78	1.505	38.23	76.99	342.47	57.31	10.03
C1937-192-4000-X	1.937	49.20	0.192	4.88	4.000	101.60	2.441	62.01	1.670	42.42	76.99	342.47	49.40	8.65
C1937-192-4500-X	1.937	49.20	0.192	4.88	4.500	114.30	2.726	69.24	1.834	46.58	76.99	342.47	43.40	7.60
C1937-192-5000-X	1.937	49.20	0.192	4.88	5.000	127.00	3.012	76.51	1.999	50.77	76.99	342.47	38.73	6.78
C1937-192-5500-X	1.937	49.20	0.192	4.88	5.500	139.70	3.294	83.67	2.164	54.97	76.99	342.47	34.90	6.11
C1937-192-6000-X	1.937	49.20	0.192	4.88	6.000	152.40	3.581	90.95	2.328	59.13	76.99	342.47	31.82	5.57
C1937-207-2500-X	1.937	49.20	0.207	5.26	2.500	63.50	1.648	41.87	1.297	32.94	96.06	427.30	112.79	19.75
C1937-207-3000-X	1.937	49.20	0.207	5.26	3.000	76.20	1.944	49.38	1.483	37.67	96.06	427.30	90.96	15.94
C1937-207-3500-X	1.937	49.20	0.207	5.26	3.500	88.90	2.240	56.89	1.670	42.42	96.06	427.30	76.22	13.34
C1937-207-4000-X	1.937	49.20	0.207	5.26	4.000	101.60	2.537	64.43	1.857	47.17	96.06	427.30	65.64	11.49
C1937-207-4500-X	1.937	49.20	0.207	5.26	4.500	114.30	2.831	71.91	2.044	51.92	96.06	427.30	57.56	10.09
C1937-207-5000-X	1.937	49.20	0.207	5.26	5.000	127.00	3.128	79.45	2.230	56.64	96.06	427.30	51.31	8.98
C1937-207-5500-X	1.937	49.20	0.207	5.26	5.500	139.70	3.422	86.92	2.417	61.39	96.06	427.30	46.23	8.09
C1937-207-6000-X	1.937	49.20	0.207	5.26	6.000	152.40	3.721	94.51	2.604	66.14	96.06	427.30	42.15	7.39
D23730X	2.126	54.00	0.157	4.00	3.898	99.00	2.592	65.83	0.866	22.00	731.91	164.54	28.32	4.96
D23740X	2.126	54.00	0.157	4.00	5.906	150.00	3.856	97.93	1.181	30.00	731.91	164.54	18.04	3.16
D23750X	2.126	54.00	0.157	4.00	9.055	230.00	5.880	149.34	1.654	42.00	731.91	164.54	11.65	2.04
D23760X	2.126	54.00	0.157	4.00	13.189	335.00	8.529	216.63	2.283	58.00	731.91	164.54	7.94	1.39
D23770X	2.126	54.00	0.157	4.00	19.291	490.00	12.400	314.96	3.228	82.00	731.91	164.54	5.37	0.94
D23930X	2.165	55.00	0.197	5.00	3.346	85.00	2.421	61.49	1.083	27.50	1264.50	284.27	69.04	12.09
D23940X	2.165	55.00	0.197	5.00	5.118	130.00	3.667	93.13	1.476	37.50	1264.50	284.27	44.03	7.71
D23950X	2.165	55.00	0.197	5.00	7.677	195.00	5.430	137.92	2.067	52.50	1264.50	284.27	28.44	4.98
D23960X	2.165	55.00	0.197	5.00	11.024	280.00	7.722	196.14	2.854	72.50	1264.50	284.27	19.36	3.39
D23970X	2.165	55.00	0.197	5.00	16.142	410.00	11.254	285.86	4.035	102.50	1264.50	284.27	13.08	2.29
D23980X	2.677	68.00	0.197	5.00	4.724	120.00	3.217	81.72	1.083	27.50	1031.85	231.97	34.60	6.06
D23990X	2.677	68.00	0.197	5.00	7.087	180.00	4.720	119.90	1.476	37.50	1031.85	231.97	22.04	3.86
D24000X	2.677	68.00	0.197	5.00	10.827	275.00	7.159	181.84	2.067	52.50	1031.85	231.97	14.22	2.49
D24010X	2.677	68.00	0.197	5.00	15.551	395.00	10.147	257.74	2.854	72.50	1031.85	231.97	9.65	1.69
D24020X	2.677	68.00	0.197	5.00	23.031	585.00	15.020	381.52	4.035	102.50	1031.85	231.97	6.51	1.14

COMPRESSION SPRINGS
(OD) 0.047 - 0.353

COMPRESSION SPRINGS
(OD) 0.353 - 0.588

COMPRESSION SPRINGS
(OD) 0.588 - 0.970

COMPRESSION SPRINGS
(OD) 0.970 - 1.410

COMPRESSION SPRINGS
(OD) 1.410 - 2.820

316 STAINLESS STEEL
COMPRESSION SPRINGS

HEAVY DUTY
COMPRESSION SPRINGS

CONICAL
COMPRESSION SPRINGS

MULTI-WAVE
COMPRESSION SPRINGS

HEAVY DUTY COMPRESSION SPRINGS

Stock sizes in chrome alloy steel

The use of high-quality chrome alloy steel combines maximum load with long life.

Designed to work in pocket or over shaft, our SPEC heavy-duty springs are ideally suited for applications where high loads are needed, and limited space is available.

Material

Chrome Silicon per SV 9254 - rectangular wire with rounded corners.

Direction of Helix

Right hand.

Ends

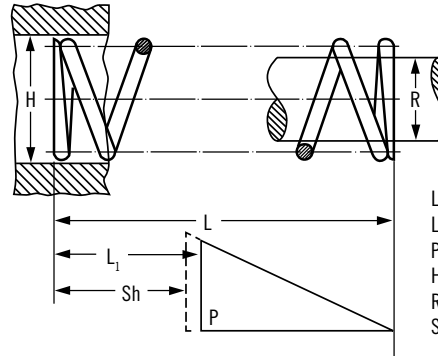
Squared and ground.

Finish

Standard finish is that of the normal wire. Due to residual stresses induced during the manufacturing process, electroplating is not recommended. Other finishes available on request. See page 311 for alternative finishes.

Tolerances

Free length is for reference only. O.D. and I.D. are designed to fit in hole or over rod as specified in the table below. Outside diameters are dimensioned to allow a minimum of .020" (.51mm) clearance in the specified hole diameter when the spring is in the free state.



- L = Free Length
- L₁ = Load Length
- P = Load at L₁
- H = Hole Diameter
- R = Rod Diameter
- Sh = Solid Height (Approx.)

(OD) 0.375 - 0.500

STOCK HEAVY DUTY COMPRESSION SPRINGS

Catalog #	Fits in Hole (H)		Fits over Shaft (R)		Wire Size		Free Length (L)		Load @ Load Length (P) Reference		Load Length (L ₁)		Solid Height (Sh) Approx		Spring Rate +/-15%	
	in	mm	in	mm	in	mm	in	mm	lb	N	in	mm	in	mm	lb/in	N/mm
	CV0375-1000-039	0.375	9.53	0.188	4.78	0.039 X 0.07	0.99 X 1.78	1.00	25.40	15.00	66.72	0.75	19.05	0.50	12.70	60.00
CV0375-1250-039	0.375	9.53	0.188	4.78	0.039 X 0.07	0.99 X 1.78	1.25	31.75	15.60	69.39	0.94	23.83	0.63	16.00	50.00	8.76
CV0375-1500-039	0.375	9.53	0.188	4.78	0.039 X 0.07	0.99 X 1.78	1.50	38.10	15.80	70.28	1.13	28.58	0.75	19.05	42.00	7.36
CV0375-1750-039	0.375	9.53	0.188	4.78	0.039 X 0.07	0.99 X 1.78	1.75	44.45	16.20	72.06	1.31	33.35	0.88	22.35	37.00	6.48
CV0375-2000-039	0.375	9.53	0.188	4.78	0.039 X 0.07	0.99 X 1.78	2.00	50.80	15.50	68.95	1.50	38.10	1.00	25.40	31.00	5.43
CV0375-2500-039	0.375	9.53	0.188	4.78	0.039 X 0.07	0.99 X 1.78	2.50	63.50	16.30	72.51	1.88	47.63	1.25	31.75	26.00	4.55
CV0375-3000-039	0.375	9.53	0.188	4.78	0.039 X 0.07	0.99 X 1.78	3.00	76.20	15.80	70.28	2.25	57.15	1.50	38.10	21.00	3.68
CV0375-12000-039	0.375	9.53	0.188	4.78	0.039 X 0.07	0.99 X 1.78	12.00	304.80	18.00	80.07	9.00	228.60	6.00	152.40	6.00	1.05
CV0375-1000-046	0.375	9.53	0.188	4.78	0.046 X 0.073	1.17 X 1.85	1.00	25.40	21.00	93.41	0.75	19.05	0.63	16.00	84.00	14.71
CV0375-1250-046	0.375	9.53	0.188	4.78	0.046 X 0.073	1.17 X 1.85	1.25	31.75	22.80	101.42	0.94	23.83	0.79	20.07	73.00	12.78
CV0375-1500-046	0.375	9.53	0.188	4.78	0.046 X 0.073	1.17 X 1.85	1.50	38.10	25.10	111.65	1.13	28.58	0.95	24.13	67.00	11.73
CV0375-1750-046	0.375	9.53	0.188	4.78	0.046 X 0.073	1.17 X 1.85	1.75	44.45	25.30	112.54	1.31	33.35	1.10	27.94	58.00	10.16
CV0375-2000-046	0.375	9.53	0.188	4.78	0.046 X 0.073	1.17 X 1.85	2.00	50.80	25.00	111.21	1.50	38.10	1.26	32.00	50.00	8.76
CV0375-2500-046	0.375	9.53	0.188	4.78	0.046 X 0.073	1.17 X 1.85	2.50	63.50	23.10	102.75	1.88	47.63	1.58	40.13	37.00	6.48
CV0375-3000-046	0.375	9.53	0.188	4.78	0.046 X 0.073	1.17 X 1.85	3.00	76.20	22.50	100.08	2.25	57.15	1.89	48.01	30.00	5.25
CV0375-12000-046	0.375	9.53	0.188	4.78	0.046 X 0.073	1.17 X 1.85	12.00	304.80	24.00	106.76	9.00	228.60	7.56	192.02	8.00	1.40
CV0375-1000-054	0.375	9.53	0.188	4.78	0.054 X 0.072	1.37 X 1.83	1.00	25.40	17.40	77.40	0.85	21.59	0.70	17.78	116.00	20.31
CV0375-1250-054	0.375	9.53	0.188	4.78	0.054 X 0.072	1.37 X 1.83	1.25	31.75	18.30	81.40	1.06	27.00	0.88	22.35	98.00	17.16
CV0375-1500-054	0.375	9.53	0.188	4.78	0.054 X 0.072	1.37 X 1.83	1.50	38.10	18.00	80.07	1.28	32.39	1.05	26.67	80.00	14.01
CV0375-1750-054	0.375	9.53	0.188	4.78	0.054 X 0.072	1.37 X 1.83	1.75	44.45	19.70	87.63	1.49	37.80	1.23	31.24	75.00	13.13
CV0375-2000-054	0.375	9.53	0.188	4.78	0.054 X 0.072	1.37 X 1.83	2.00	50.80	18.60	82.74	1.70	43.18	1.40	35.56	62.00	10.86
CV0375-2500-054	0.375	9.53	0.188	4.78	0.054 X 0.072	1.37 X 1.83	2.50	63.50	18.80	83.63	2.13	53.98	1.75	44.45	50.00	8.76
CV0375-3000-054	0.375	9.53	0.188	4.78	0.054 X 0.072	1.37 X 1.83	3.00	76.20	18.50	82.29	2.55	64.77	2.10	53.34	41.00	7.18
CV0375-12000-054	0.375	9.53	0.188	4.78	0.054 X 0.072	1.37 X 1.83	12.00	304.80	19.80	88.07	10.20	259.08	8.40	213.36	11.00	1.93
CV0375-1000-059	0.375	9.53	0.188	4.78	0.059 X 0.08	1.5 X 2.03	1.00	25.40	31.50	140.12	0.85	21.59	0.75	19.05	210.00	36.78
CV0375-1250-059	0.375	9.53	0.188	4.78	0.059 X 0.08	1.5 X 2.03	1.25	31.75	27.30	121.44	1.06	27.00	0.94	23.88	146.00	25.57
CV0375-1500-059	0.375	9.53	0.188	4.78	0.059 X 0.08	1.5 X 2.03	1.50	38.10	28.10	124.99	1.28	32.39	1.13	28.70	125.00	21.89
CV0375-1750-059	0.375	9.53	0.188	4.78	0.059 X 0.08	1.5 X 2.03	1.75	44.45	27.50	122.33	1.49	37.80	1.31	33.27	105.00	18.39
CV0375-2000-059	0.375	9.53	0.188	4.78	0.059 X 0.08	1.5 X 2.03	2.00	50.80	27.00	120.10	1.70	43.18	1.50	38.10	90.00	15.76
CV0375-2500-059	0.375	9.53	0.188	4.78	0.059 X 0.08	1.5 X 2.03	2.50	63.50	28.10	124.99	2.13	53.98	1.88	47.75	75.00	13.13
CV0375-3000-059	0.375	9.53	0.188	4.78	0.059 X 0.08	1.5 X 2.03	3.00	76.20	28.40	126.33	2.55	64.77	2.25	57.15	63.00	11.03
CV0375-12000-059	0.375	9.53	0.188	4.78	0.059 X 0.08	1.5 X 2.03	12.00	304.80	27.00	120.10	10.20	259.08	9.00	228.60	15.00	2.63
CV0500-1000-052	0.500	12.70	0.281	7.14	0.052 X 0.093	1.32 X 2.36	1.00	25.40	27.50	122.33	0.75	19.05	0.50	12.70	110.00	19.26
CV0500-1250-052	0.500	12.70	0.281	7.14	0.052 X 0.093	1.32 X 2.36	1.25	31.75	25.60	113.87	0.94	23.83	0.63	16.00	82.00	14.36
CV0500-1500-052	0.500	12.70	0.281	7.14	0.052 X 0.093	1.32 X 2.36	1.50	38.10	25.50	113.43	1.13	28.58	0.75	19.05	68.00	11.91
CV0500-1750-052	0.500	12.70	0.281	7.14	0.052 X 0.093	1.32 X 2.36	1.75	44.45	26.20	116.54	1.31	33.35	0.88	22.35	60.00	10.51

COMPRESSION SPRINGS
(OD) 0.047- 0.353

COMPRESSION SPRINGS
(OD) 0.353- 0.588

COMPRESSION SPRINGS
(OD) 0.588- 0.970

COMPRESSION SPRINGS
(OD) 0.970- 1.410

COMPRESSION SPRINGS
(OD) 1.410- 2.820

316 STAINLESS STEEL
COMPRESSION SPRINGS

HEAVY DUTY
COMPRESSION SPRINGS

CONICAL
COMPRESSION SPRINGS

MULTIWAY
COMPRESSION SPRINGS

STOCK HEAVY DUTY COMPRESSION SPRINGS

Table with columns: Catalog #, Fits in Hole (H) (in, mm), Fits over Shaft (R) (in, mm), Wire Size (in, mm), Free Length (L) (in, mm), Load @ Load Length (P) Reference (lb, N), Load Length (L1) (in, mm), Solid Height (Sh) Approx (in, mm), Spring Rate +/-15% (lb/in, N/mm). Rows include various part numbers like CV0500-2000-052, CV0625-1000-069, etc.

COMPRESSION SPRINGS (OD) 0.047 - 0.353

COMPRESSION SPRINGS (OD) 0.353 - 0.588

COMPRESSION SPRINGS (OD) 0.588 - 0.970

COMPRESSION SPRINGS (OD) 0.970 - 1.410

COMPRESSION SPRINGS (OD) 1.410 - 2.820

316 STAINLESS STEEL COMPRESSION SPRINGS

HEAVY DUTY COMPRESSION SPRINGS

CONICAL COMPRESSION SPRINGS

MULTI-WAVE COMPRESSION SPRINGS

STOCK HEAVY DUTY COMPRESSION SPRINGS

Table with columns: Catalog #, Fits in Hole (H) (in, mm), Fits over Shaft (R) (in, mm), Wire Size (in, mm), Free Length (L) (in, mm), Load @ Load Length (P) Reference (lb, N), Load Length (L) (in, mm), Solid Height (Sh) Approx (in, mm), Spring Rate +/-15% (lb/in, N/mm). Rows include various catalog numbers like CV0625-4000-093, CV0750-1000-075, etc.

COMPRESSION SPRINGS (OD) 0.625 - 0.353
COMPRESSION SPRINGS (OD) 0.353 - 0.588
COMPRESSION SPRINGS (OD) 0.588 - 0.970
COMPRESSION SPRINGS (OD) 0.970 - 1.410
COMPRESSION SPRINGS (OD) 1.410 - 2.820
316 STAINLESS STEEL COMPRESSION SPRINGS
HEAVY DUTY COMPRESSION SPRINGS
CONICAL COMPRESSION SPRINGS
MULTI-WAVE COMPRESSION SPRINGS



STOCK HEAVY DUTY COMPRESSION SPRINGS

Table with columns: Catalog #, Fits in Hole (H) [in, mm], Fits over Shaft (R) [in, mm], Wire Size [in, mm], Free Length (L) [in, mm], Load @ Load Length (P) Reference [lb, N], Load Length (L1) [in, mm], Solid Height (Sh) Approx [in, mm], Spring Rate +/-15% [lb/in, N/mm]. Rows include various catalog numbers like CV0750-4000-135, CV1000-1000-100, etc.

COMPRESSION SPRINGS (OD) 0.047 - 0.353

COMPRESSION SPRINGS (OD) 0.353 - 0.588

COMPRESSION SPRINGS (OD) 0.588 - 0.970

COMPRESSION SPRINGS (OD) 0.970 - 1.410

COMPRESSION SPRINGS (OD) 1.410 - 2.820

316 STAINLESS STEEL COMPRESSION SPRINGS

HEAVY DUTY COMPRESSION SPRINGS

CONICAL COMPRESSION SPRINGS

MULTI-WAVE COMPRESSION SPRINGS

STOCK HEAVY DUTY COMPRESSION SPRINGS

Table with columns: Catalog #, Fits in Hole (H) (in, mm), Fits over Shaft (R) (in, mm), Wire Size (in, mm), Free Length (L) (in, mm), Load @ Load Length (P) Reference (lb, N), Load Length (L) (in, mm), Solid Height (Sh) Approx (in, mm), Spring Rate +/-15% (lb/in, N/mm). Rows include various catalog numbers like CV1250-1500-115, CV1250-1750-115, etc.

COMPRESSION SPRINGS (OD) 0.047 - 0.353

COMPRESSION SPRINGS (OD) 0.353 - 0.588

COMPRESSION SPRINGS (OD) 0.588 - 0.970

COMPRESSION SPRINGS (OD) 0.970 - 1.410

COMPRESSION SPRINGS (OD) 1.410 - 2.820

316 STAINLESS STEEL COMPRESSION SPRINGS

HEAVY DUTY COMPRESSION SPRINGS

CONICAL COMPRESSION SPRINGS

MULTI-WAVE COMPRESSION SPRINGS



STOCK HEAVY DUTY COMPRESSION SPRINGS

Catalog #	Fits in Hole (H)		Fits over Shaft (R)		Wire Size		Free Length (L)		Load @ Load Length (P) Reference		Load Length (L ₁)		Solid Height (Sh) Approx		Spring Rate +/-15%	
	in	mm	in	mm	in	mm	in	mm	lb	N	in	mm	in	mm	lb/in	N/mm
	CV1500-6000-135	1.500	38.10	0.750	19.05	0.135 X 0.345	3.43 X 8.76	6.00	152.40	255.00	1134.30	4.50	114.30	3.00	76.20	170.00
CV1500-7000-135	1.500	38.10	0.750	19.05	0.135 X 0.345	3.43 X 8.76	7.00	177.80	267.80	1191.23	5.25	133.35	3.50	88.90	153.00	26.79
CV1500-8000-135	1.500	38.10	0.750	19.05	0.135 X 0.345	3.43 X 8.76	8.00	203.20	264.00	1174.33	6.00	152.40	4.00	101.60	132.00	23.12
CV1500-10000-135	1.500	38.10	0.750	19.05	0.135 X 0.345	3.43 X 8.76	10.00	254.00	265.00	1178.78	7.50	190.50	5.00	127.00	106.00	18.56
CV1500-12000-135	1.500	38.10	0.750	19.05	0.135 X 0.345	3.43 X 8.76	12.00	304.80	255.00	1134.30	9.00	228.60	6.00	152.40	85.00	14.89
CV1500-2000-187	1.500	38.10	0.750	19.05	0.187 X 0.312	4.75 X 7.92	2.00	50.80	515.00	2290.83	1.50	38.10	1.26	32.00	1030.00	180.38
CV1500-2500-187	1.500	38.10	0.750	19.05	0.187 X 0.312	4.75 X 7.92	2.50	63.50	507.50	2257.47	1.88	47.63	1.58	40.13	812.00	142.20
CV1500-3000-187	1.500	38.10	0.750	19.05	0.187 X 0.312	4.75 X 7.92	3.00	76.20	468.00	2081.77	2.25	57.15	1.89	48.01	624.00	109.28
CV1500-3500-187	1.500	38.10	0.750	19.05	0.187 X 0.312	4.75 X 7.92	3.50	88.90	472.50	2101.78	2.63	66.68	2.21	56.13	540.00	94.57
CV1500-4000-187	1.500	38.10	0.750	19.05	0.187 X 0.312	4.75 X 7.92	4.00	101.60	465.00	2068.42	3.00	76.20	2.52	64.01	465.00	81.43
CV1500-4500-187	1.500	38.10	0.750	19.05	0.187 X 0.312	4.75 X 7.92	4.50	114.30	461.30	2051.96	3.38	85.73	2.84	72.14	410.00	71.80
CV1500-5000-187	1.500	38.10	0.750	19.05	0.187 X 0.312	4.75 X 7.92	5.00	127.00	460.00	2046.18	3.75	95.25	3.15	80.01	368.00	64.45
CV1500-5500-187	1.500	38.10	0.750	19.05	0.187 X 0.312	4.75 X 7.92	5.50	139.70	453.80	2018.60	4.13	104.78	3.47	88.14	330.00	57.79
CV1500-6000-187	1.500	38.10	0.750	19.05	0.187 X 0.312	4.75 X 7.92	6.00	152.40	442.50	1968.34	4.50	114.30	3.78	96.01	295.00	51.66
CV1500-7000-187	1.500	38.10	0.750	19.05	0.187 X 0.312	4.75 X 7.92	7.00	177.80	446.30	1985.24	5.25	133.35	4.41	112.01	255.00	44.66
CV1500-8000-187	1.500	38.10	0.750	19.05	0.187 X 0.312	4.75 X 7.92	8.00	203.20	440.00	1957.22	6.00	152.40	5.04	128.02	220.00	38.53
CV1500-10000-187	1.500	38.10	0.750	19.05	0.187 X 0.312	4.75 X 7.92	10.00	254.00	440.00	1957.22	7.50	190.50	6.30	160.02	176.00	30.82
CV1500-12000-187	1.500	38.10	0.750	19.05	0.187 X 0.312	4.75 X 7.92	12.00	304.80	432.00	1921.63	9.00	228.60	7.56	192.02	144.00	25.22
CV1500-2000-225	1.500	38.10	0.750	19.05	0.225 X 0.337	5.72 X 8.56	2.00	50.80	594.00	2642.24	1.70	43.18	1.40	35.56	1980.00	346.75
CV1500-2500-225	1.500	38.10	0.750	19.05	0.225 X 0.337	5.72 X 8.56	2.50	63.50	581.30	2585.75	2.13	53.98	1.75	44.45	1550.00	271.45
CV1500-3000-225	1.500	38.10	0.750	19.05	0.225 X 0.337	5.72 X 8.56	3.00	76.20	585.00	2602.21	2.55	64.77	2.10	53.34	1300.00	227.66
CV1500-3500-225	1.500	38.10	0.750	19.05	0.225 X 0.337	5.72 X 8.56	3.50	88.90	558.60	2484.78	2.98	75.57	2.45	62.23	1064.00	186.33
CV1500-4000-225	1.500	38.10	0.750	19.05	0.225 X 0.337	5.72 X 8.56	4.00	101.60	547.20	2434.07	3.40	86.36	2.80	71.12	912.00	159.72
CV1500-4500-225	1.500	38.10	0.750	19.05	0.225 X 0.337	5.72 X 8.56	4.50	114.30	550.80	2450.08	3.83	97.16	3.15	80.01	816.00	142.90
CV1500-5000-225	1.500	38.10	0.750	19.05	0.225 X 0.337	5.72 X 8.56	5.00	127.00	547.50	2435.40	4.25	107.95	3.50	88.90	730.00	127.84
CV1500-5500-225	1.500	38.10	0.750	19.05	0.225 X 0.337	5.72 X 8.56	5.50	139.70	552.80	2458.98	4.68	118.75	3.85	97.79	670.00	117.33
CV1500-6000-225	1.500	38.10	0.750	19.05	0.225 X 0.337	5.72 X 8.56	6.00	152.40	525.60	2337.98	5.10	129.54	4.20	106.68	584.00	102.27
CV1500-7000-225	1.500	38.10	0.750	19.05	0.225 X 0.337	5.72 X 8.56	7.00	177.80	520.80	2316.63	5.95	151.13	4.90	124.46	496.00	86.86
CV1500-8000-225	1.500	38.10	0.750	19.05	0.225 X 0.337	5.72 X 8.56	8.00	203.20	518.40	2305.96	6.80	172.72	5.60	142.24	432.00	75.65
CV1500-10000-225	1.500	38.10	0.750	19.05	0.225 X 0.337	5.72 X 8.56	10.00	254.00	543.00	2415.38	8.50	215.90	7.00	177.80	362.00	63.40
CV1500-12000-225	1.500	38.10	0.750	19.05	0.225 X 0.337	5.72 X 8.56	12.00	304.80	540.00	2402.04	10.20	259.08	8.40	213.36	300.00	52.54
CV1500-2000-300	1.500	38.10	0.750	19.05	0.3 X 0.346	7.62 X 8.79	2.00	50.80	1225.50	5451.29	1.70	43.18	1.55	39.37	4085.00	715.39
CV1500-2500-300	1.500	38.10	0.750	19.05	0.3 X 0.346	7.62 X 8.79	2.50	63.50	1231.90	5479.76	2.13	53.98	1.88	47.75	3285.00	575.29
CV1500-3000-300	1.500	38.10	0.750	19.05	0.3 X 0.346	7.62 X 8.79	3.00	76.20	1147.50	5104.33	2.55	64.77	2.25	57.15	2550.00	446.57
CV1500-3500-300	1.500	38.10	0.750	19.05	0.3 X 0.346	7.62 X 8.79	3.50	88.90	1120.90	4986.01	2.98	75.57	2.63	66.80	2135.00	373.90
CV1500-4000-300	1.500	38.10	0.750	19.05	0.3 X 0.346	7.62 X 8.79	4.00	101.60	1107.00	4924.18	3.40	86.36	3.00	76.20	1845.00	323.11
CV1500-4500-300	1.500	38.10	0.750	19.05	0.3 X 0.346	7.62 X 8.79	4.50	114.30	1096.90	4879.25	3.83	97.16	3.38	85.85	1625.00	284.58
CV1500-5000-300	1.500	38.10	0.750	19.05	0.3 X 0.346	7.62 X 8.79	5.00	127.00	1087.50	4837.44	4.25	107.95	3.75	95.25	1450.00	253.93
CV1500-6000-300	1.500	38.10	0.750	19.05	0.3 X 0.346	7.62 X 8.79	6.00	152.40	1084.50	4824.09	5.10	129.54	4.50	114.30	1205.00	211.03
CV1500-8000-300	1.500	38.10	0.750	19.05	0.3 X 0.346	7.62 X 8.79	8.00	203.20	1086.00	4830.77	6.80	172.72	6.00	152.40	905.00	158.49
CV1500-10000-300	1.500	38.10	0.750	19.05	0.3 X 0.346	7.62 X 8.79	10.00	254.00	1065.00	4737.35	8.50	215.90	7.50	190.50	710.00	124.34
CV1500-12000-300	1.500	38.10	0.750	19.05	0.3 X 0.346	7.62 X 8.79	12.00	304.80	999.00	4443.77	10.20	259.08	9.00	228.60	550.00	96.32
CV2000-2500-195	2.000	50.80	1.000	25.40	0.195 X 0.468	4.95 X 11.89	2.50	63.50	625.00	2780.14	1.88	47.63	1.40	35.56	1000.00	175.13
CV2000-3000-195	2.000	50.80	1.000	25.40	0.195 X 0.468	4.95 X 11.89	3.00	76.20	622.50	2769.02	2.25	57.15	1.60	40.64	830.00	145.36
CV2000-3500-195	2.000	50.80	1.000	25.40	0.195 X 0.468	4.95 X 11.89	3.50	88.90	592.40	2635.13	2.63	66.68	1.83	46.48	677.00	118.56
CV2000-4000-195	2.000	50.80	1.000	25.40	0.195 X 0.468	4.95 X 11.89	4.00	101.60	600.00	2668.93	3.00	76.20	2.05	52.07	600.00	105.08
CV2000-4500-195	2.000	50.80	1.000	25.40	0.195 X 0.468	4.95 X 11.89	4.50	114.30	596.30	2652.47	3.38	85.73	2.35	59.69	530.00	92.82
CV2000-5000-195	2.000	50.80	1.000	25.40	0.195 X 0.468	4.95 X 11.89	5.00	127.00	587.50	2613.33	3.75	95.25	2.55	64.77	470.00	82.31
CV2000-5500-195	2.000	50.80	1.000	25.40	0.195 X 0.468	4.95 X 11.89	5.50	139.70	556.90	2477.21	4.13	104.78	2.75	69.85	405.00	70.93
CV2000-6000-195	2.000	50.80	1.000	25.40	0.195 X 0.468	4.95 X 11.89	6.00	152.40	585.00	2602.21	4.50	114.30	3.00	76.20	390.00	68.30
CV2000-7000-195	2.000	50.80	1.000	25.40	0.195 X 0.468	4.95 X 11.89	7.00	177.80	546.00	2428.73	5.25	133.35	3.50	88.90	312.00	54.64
CV2000-8000-195	2.000	50.80	1.000	25.40	0.195 X 0.468	4.95 X 11.89	8.00	203.20	570.00	2535.49	6.00	152.40	4.00	101.60	285.00	49.91
CV2000-10000-195	2.000	50.80	1.000	25.40	0.195 X 0.468	4.95 X 11.89	10.00	254.00	540.00	2402.04	7.50	190.50	5.00	127.00	216.00	37.83
CV2000-12000-195	2.000	50.80	1.000	25.40	0.195 X 0.468	4.95 X 11.89	12.00	304.80	555.00	2468.76	9.00	228.60	6.00	152.40	185.00	32.40
CV2000-2500-225	2.000	50.80	1.000	25.40	0.225 X 0.437	5.72 X 11.1	2.50	63.50	740.00	3291.68	1.88	47.63	1.58	40.13	1184.00	207.35
CV2000-3000-225	2.000	50.80	1.000	25.40	0.225 X 0.437	5.72 X 11.1	3.00	76.20	697.50	3102.63	2.25	57.15	1.89	48.01	930.00	162.87
CV2000-3500-225	2.000	50.80	1.000	25.40	0.225 X 0.437	5.72 X 11.1	3.50	88.90	684.30	3043.92	2.63	66.68	2.21	56.13	782.00	136.95
CV2000-4000-225	2.000	50.80	1.000	25.40	0.225 X 0.437	5.72 X 11.1	4.00	101.60	664.00	2953.62	3.00	76.20	2.52	64.01	664.00	116.28
CV2000-4500-225	2.000	50.80	1.000	25.40	0.225 X 0.437	5.72 X 11.1	4.50	114.30	675.00	3002.55	3.38	85.73	2.84	72.14	600.00	105.08
CV2000-5000-225	2.000	50.80	1.000	25.40	0.225 X 0.437	5.72 X 11.1	5.00	127.00	667.50	2969.19	3.75					

STOCK HEAVY DUTY COMPRESSION SPRINGS

Catalog #	Fits in Hole (H)		Fits over Shaft (R)		Wire Size		Free Length (L)		Load @ Load Length (P) Reference		Load Length (L ₁)		Solid Height (Sh) Approx		Spring Rate +/-15%	
	in	mm	in	mm	in	mm	in	mm	lb	N	in	mm	in	mm	lb/in	N/mm
	CV2000-10000-225	2.000	50.80	1.000	25.40	0.225 X 0.437	5.72 X 11.1	10.00	254.00	650.00	2891.34	7.50	190.50	6.30	160.02	260.00
CV2000-12000-225	2.000	50.80	1.000	25.40	0.225 X 0.437	5.72 X 11.1	12.00	304.80	645.00	2869.10	9.00	228.60	7.56	192.02	215.00	37.65
CV2000-2500-280	2.000	50.80	1.000	25.40	0.28 X 0.47	7.11 X 11.94	2.50	63.50	942.00	4190.22	2.13	53.98	1.75	44.45	2512.00	439.92
CV2000-3000-280	2.000	50.80	1.000	25.40	0.28 X 0.47	7.11 X 11.94	3.00	76.20	927.00	4123.50	2.55	64.77	2.10	53.34	2060.00	360.76
CV2000-3500-280	2.000	50.80	1.000	25.40	0.28 X 0.47	7.11 X 11.94	3.50	88.90	892.50	3970.04	2.98	75.57	2.45	62.23	1700.00	297.72
CV2000-4000-280	2.000	50.80	1.000	25.40	0.28 X 0.47	7.11 X 11.94	4.00	101.60	900.00	4003.40	3.40	86.36	2.80	71.12	1500.00	262.69
CV2000-4500-280	2.000	50.80	1.000	25.40	0.28 X 0.47	7.11 X 11.94	4.50	114.30	858.60	3819.24	3.83	97.16	3.15	80.01	1272.00	222.76
CV2000-5000-280	2.000	50.80	1.000	25.40	0.28 X 0.47	7.11 X 11.94	5.00	127.00	889.50	3956.69	4.25	107.95	3.50	88.90	1186.00	207.70
CV2000-5500-280	2.000	50.80	1.000	25.40	0.28 X 0.47	7.11 X 11.94	5.50	139.70	888.50	3952.24	4.68	118.75	3.85	97.79	1077.00	188.61
CV2000-6000-280	2.000	50.80	1.000	25.40	0.28 X 0.47	7.11 X 11.94	6.00	152.40	879.30	3911.32	5.10	129.54	4.20	106.68	977.00	171.10
CV2000-7000-280	2.000	50.80	1.000	25.40	0.28 X 0.47	7.11 X 11.94	7.00	177.80	861.00	3829.92	5.95	151.13	4.90	124.46	820.00	143.60
CV2000-8000-280	2.000	50.80	1.000	25.40	0.28 X 0.47	7.11 X 11.94	8.00	203.20	876.00	3896.64	6.80	172.72	5.60	142.24	730.00	127.84
CV2000-10000-280	2.000	50.80	1.000	25.40	0.28 X 0.47	7.11 X 11.94	10.00	254.00	858.00	3816.57	8.50	215.90	7.00	177.80	572.00	100.17
CV2000-12000-280	2.000	50.80	1.000	25.40	0.28 X 0.47	7.11 X 11.94	12.00	304.80	858.60	3819.24	10.20	259.08	8.40	213.36	477.00	83.54
CV2000-2500-365	2.000	50.80	1.000	25.40	0.365 X 0.46	9.27 X 11.68	2.50	63.50	1541.30	6856.04	2.13	53.98	1.90	48.26	4110.00	719.77
CV2000-3000-365	2.000	50.80	1.000	25.40	0.365 X 0.46	9.27 X 11.68	3.00	76.20	1435.50	6385.42	2.55	64.77	2.30	58.42	3190.00	558.65
CV2000-3500-365	2.000	50.80	1.000	25.40	0.365 X 0.46	9.27 X 11.68	3.50	88.90	1451.10	6454.81	2.98	75.57	2.63	66.80	2764.00	484.05
CV2000-4000-365	2.000	50.80	1.000	25.40	0.365 X 0.46	9.27 X 11.68	4.00	101.60	1386.60	6167.90	3.40	86.36	3.03	76.96	2311.00	404.72
CV2000-4500-365	2.000	50.80	1.000	25.40	0.365 X 0.46	9.27 X 11.68	4.50	114.30	1274.40	5668.81	3.83	97.16	3.38	85.85	1888.00	330.64
CV2000-5000-365	2.000	50.80	1.000	25.40	0.365 X 0.46	9.27 X 11.68	5.00	127.00	1353.00	6018.44	4.25	107.95	3.75	95.25	1804.00	315.93
CV2000-6000-365	2.000	50.80	1.000	25.40	0.365 X 0.46	9.27 X 11.68	6.00	152.40	1325.70	5897.01	5.10	129.54	4.50	114.30	1473.00	257.96
CV2000-8000-365	2.000	50.80	1.000	25.40	0.365 X 0.46	9.27 X 11.68	8.00	203.20	1339.20	5957.06	6.80	172.72	6.00	152.40	1116.00	195.44
CV2000-10000-365	2.000	50.80	1.000	25.40	0.365 X 0.46	9.27 X 11.68	10.00	254.00	1326.00	5898.34	8.50	215.90	7.50	190.50	884.00	154.81
CV2000-12000-365	2.000	50.80	1.000	25.40	0.365 X 0.46	9.27 X 11.68	12.00	304.80	1281.60	5700.84	10.20	259.08	9.00	228.60	712.00	124.69

COMPRESSION SPRINGS (OD) 1.410 - 2.820

316 STAINLESS STEEL COMPRESSION SPRINGS

HEAVY DUTY COMPRESSION SPRINGS

CONICAL COMPRESSION SPRINGS

MULTI-WAVE COMPRESSION SPRINGS

CONICAL COMPRESSION SPRINGS

Stock sizes in stainless steel

SPEC conical springs are cone-shaped compression springs designed to provide a near constant spring rate and a solid height lower than a normal spring. Each spring features a variable pitch to achieve the constant spring rate and coils which nest during deflection to provide a solid height approximately equal to two wire diameters.

All springs are manufactured from stainless steel for use in a multitude of environments.

Material

Stainless Type 302 per ASTM A313 or AMS 5688 spring temper. (Chemical and physical only.)

Stainless steel springs are not recommended for applications where the temperature exceeds 500°F (260°C).

Certificate of chemical analysis available at additional charge.

Finish

Plain wire passivated. See page 311 for alternative finishes.

Direction of Helix

Right hand.

Ends

Squared ends, not ground.

Spring Rate

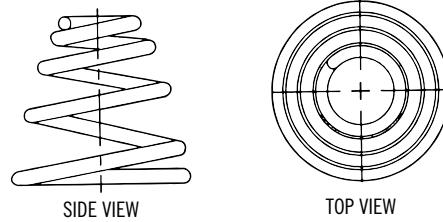
The spring rate is linear due to the variable pitch.

Coils

Springs are designed to permit active coils to nest within each other. This provides a solid height of approximately two wire diameters.

Solid Height

Due to coil nesting, the solid height is approximately equal to two wire diameters.



(OD) 0.360 - 0.600

CONICAL COMPRESSION SPRINGS														
Catalog #	Outside Diameter Large End		Outside Diameter Small End		Wire Diameter		Free Height Approx		Load @ 50% of Free Length		Load @ Solid Approx		Spring Rate	
	in	mm	in	mm	in	mm	in	mm	lb	N	lb	N	lb/in	N/mm
A0360-029-0250-S*	0.360	9.14	0.125	3.18	0.029	0.74	0.250	6.35	3.450	15.35	5.29	23.53	27.58	4.83
A0420-029-0375-S*	0.420	10.67	0.156	3.96	0.029	0.74	0.375	9.53	2.500	11.12	4.23	18.82	13.35	2.34
A0420-029-0312-S*	0.420	10.67	0.187	4.75	0.029	0.74	0.312	7.92	2.260	10.05	3.68	16.37	14.48	2.54
A0420-029-0250-S*	0.420	10.67	0.218	5.54	0.029	0.74	0.250	6.35	2.040	9.07	3.14	13.97	16.38	2.87
A0420-032-0312-S*	0.420	10.67	0.156	3.96	0.032	0.81	0.312	7.92	3.630	16.15	5.77	25.67	23.25	4.07
A0420-032-0250-S*	0.420	10.67	0.187	4.75	0.032	0.81	0.250	6.35	3.190	14.19	4.74	21.08	25.49	4.46
A0420-035-0250-S*	0.420	10.67	0.187	4.75	0.035	0.89	0.250	6.35	5.090	22.64	7.33	32.61	40.80	7.15
A0480-029-0625-S*	0.480	12.19	0.187	4.75	0.029	0.74	0.625	15.88	2.150	9.56	3.90	17.35	6.88	1.2
A0480-029-0500-S*	0.480	12.19	0.218	5.54	0.029	0.74	0.500	12.7	1.930	8.59	3.40	15.12	7.70	1.35
A0480-029-0375-S*	0.480	12.19	0.25	6.35	0.029	0.74	0.375	9.53	1.590	7.07	2.70	12.01	8.50	1.49
A0480-029-0312-S*	0.480	12.19	0.281	7.14	0.029	0.74	0.312	7.92	1.530	6.81	2.49	11.08	9.79	1.71
A0480-032-0625-S*	0.480	12.19	0.156	3.96	0.032	0.81	0.625	15.88	3.420	15.21	6.13	27.27	10.93	1.91
A0480-032-0500-S*	0.480	12.19	0.187	4.75	0.032	0.81	0.500	12.7	2.880	12.81	5.02	22.33	11.51	2.02
A0480-032-0375-S*	0.480	12.19	0.218	5.54	0.032	0.81	0.375	9.53	2.560	11.39	4.24	18.86	13.63	2.39
A0480-032-0312-S*	0.480	12.19	0.25	6.35	0.032	0.81	0.312	7.92	2.370	10.54	3.78	16.81	15.21	2.66
A0480-035-0375-S*	0.480	12.19	0.187	4.75	0.035	0.89	0.375	9.53	3.920	17.44	6.37	28.34	20.91	3.66
A0480-035-0312-S*	0.480	12.19	0.218	5.54	0.035	0.89	0.312	7.92	3.480	15.48	5.39	23.98	22.26	3.9
A0480-038-0312-S*	0.480	12.19	0.187	4.75	0.038	0.97	0.312	7.92	5.020	22.33	7.60	33.81	32.13	5.63
A0480-038-0250-S*	0.480	12.19	0.218	5.54	0.038	0.97	0.250	6.35	4.750	21.13	6.61	29.4	38.02	6.66
A0600-026-1250-S*	0.600	15.24	0.312	7.92	0.026	0.66	1.250	31.75	1.000	4.45	1.92	8.54	1.61	0.28
A0600-026-1000-S*	0.600	15.24	0.343	8.71	0.026	0.66	1.000	25.4	0.840	3.74	1.58	7.03	1.67	0.29
A0600-026-0750-S*	0.600	15.24	0.375	9.53	0.026	0.66	0.750	19.05	0.730	3.25	1.36	6.05	1.94	0.34
A0600-029-1250-S*	0.600	15.24	0.25	6.35	0.029	0.74	1.250	31.75	1.560	6.94	2.97	13.21	2.49	0.44
A0600-029-1000-S*	0.600	15.24	0.281	7.14	0.029	0.74	1.000	25.4	1.390	6.18	2.61	11.61	2.77	0.49
A0600-029-0750-S*	0.600	15.24	0.343	8.71	0.029	0.74	0.750	19.05	1.180	5.25	2.19	9.74	3.16	0.55
A0600-029-0625-S*	0.600	15.24	0.375	9.53	0.029	0.74	0.625	15.88	1.120	4.98	2.03	9.03	3.57	0.63
A0600-032-0750-S*	0.600	15.24	0.281	7.14	0.032	0.81	0.750	19.05	1.800	8.01	3.30	14.68	4.81	0.84
A0600-032-0625-S*	0.600	15.24	0.343	8.71	0.032	0.81	0.625	15.88	1.640	7.3	2.95	13.12	5.25	0.92
A0600-032-0500-S*	0.600	15.24	0.375	9.53	0.032	0.81	0.500	12.7	1.530	6.81	2.67	11.88	6.13	1.07
A0600-035-0750-S*	0.600	15.24	0.218	5.54	0.035	0.89	0.750	19.05	2.720	12.1	4.93	21.93	7.25	1.27
A0600-035-0625-S*	0.600	15.24	0.281	7.14	0.035	0.89	0.625	15.88	2.410	10.72	4.28	19.04	7.70	1.35
A0600-035-0500-S*	0.600	15.24	0.312	7.92	0.035	0.89	0.500	12.7	2.160	9.61	3.72	16.55	8.64	1.51
A0600-038-0625-S*	0.600	15.24	0.25	6.35	0.038	0.97	0.625	15.88	3.570	15.88	6.27	27.89	11.42	2
A0600-038-0500-S*	0.600	15.24	0.281	7.14	0.038	0.97	0.500	12.7	3.220	14.32	5.45	24.24	12.88	2.26
A0600-038-0375-S*	0.600	15.24	0.312	7.92	0.038	0.97	0.375	9.53	2.620	11.65	4.18	18.59	13.99	2.45
A0600-040-0625-S*	0.600	15.24	0.218	5.54	0.04	1.02	0.625	15.88	4.560	20.28	7.95	35.36	14.59	2.56

FOR INFORMATION ON ALTERNATIVE FINISHES, SEE PAGE 311

SPEC

Part Numbers with an "*" are squared and not ground.

COMPRESSION SPRINGS
(OD) 0.047 - 0.353

COMPRESSION SPRINGS
(OD) 0.363 - 0.588

COMPRESSION SPRINGS
(OD) 0.588 - 0.970

COMPRESSION SPRINGS
(OD) 0.970 - 1.410

COMPRESSION SPRINGS
(OD) 1.410 - 2.820

316 STAINLESS STEEL
COMPRESSION SPRINGS

HEAVY DUTY
COMPRESSION SPRINGS

CONICAL
COMPRESSION SPRINGS

MULTI-WAVE
COMPRESSION SPRINGS

CONICAL COMPRESSION SPRINGS

Table with columns: Catalog #, Outside Diameter Large End (in, mm), Outside Diameter Small End (in, mm), Wire Diameter (in, mm), Free Height Approx (in, mm), Load @ 50% of Free Length (lb, N), Load @ Solid Approx (lb, N), Spring Rate (lb/in, N/mm). Rows include various part numbers like A0600-040-0500-S* and A0975-074-0625-S*.

Vertical labels on the left side of the table: COMPRESSION SPRINGS (OD) 0.600 - 0.353, COMPRESSION SPRINGS (OD) 0.353 - 0.588, COMPRESSION SPRINGS (OD) 0.588 - 0.970, COMPRESSION SPRINGS (OD) 0.970 - 1.410, COMPRESSION SPRINGS (OD) 1.410 - 2.820, 316 STAINLESS STEEL COMPRESSION SPRINGS, HEAVY DUTY COMPRESSION SPRINGS, CONICAL COMPRESSION SPRINGS, MILITARY COMPRESSION SPRINGS.



MULTIWAVE COMPRESSION SPRINGS

Stock and custom sizes in stainless steel

Multiwave springs replace conventional round wire springs when space is critical; they will occupy only 1/3 to 1/2 of the compressed height space of a traditional round wire spring, while providing more deflection with the same load specifications.

SPEC Multiwave springs should be used for all applications requiring tight load deflection specifications where axial space is critical.

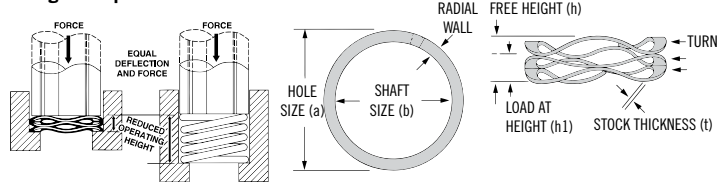
Material and Finish

Stainless steel commercial type 17-7 PH (slightly magnetic).
 Maximum application temperature is 650°F (340°C).
 Certificate of compliance available upon request.
 Plain finish is standard. See page 311 for alternative finishes.

Unique manufacturing

A single filament of round-edged, pre-tempered flat wire is used to form the springs from a continuous coil. This results in uniform diameters and wave heights.

Design Comparison



(OD) 0.375 - 0.875

MULTIWAVE COMPRESSION SPRINGS

Catalog #	Fits in Hole Size (a)		Shaft (b)		Stock Thickness (t)		Free Height (h) Approx		Load Height (h1)		Nominal Load at Height		Spring Rate	
	in	mm	in	mm	in	mm	in	mm	in	mm	lb	N	lb/in	N/mm
MW0375-0150-04S	0.375	9.5	0.250	6.4	0.008	0.2	0.150	3.8	0.062	1.575	4	17.8	45	7.9
MW0375-0250-04S	0.375	9.5	0.250	6.4	0.008	0.2	0.250	6.4	0.108	2.743	4	17.8	28	4.9
MW0375-0350-04S	0.375	9.5	0.250	6.4	0.008	0.2	0.350	8.9	0.150	3.810	4	17.8	20	3.5
MW0375-0450-04S	0.375	9.5	0.250	6.4	0.008	0.2	0.450	11.4	0.195	4.953	4	17.8	16	2.8
MW0375-0150-07S	0.375	9.5	0.250	6.4	0.011	0.3	0.150	3.8	0.081	2.057	7	31.1	101	17.7
MW0375-0250-07S	0.375	9.5	0.250	6.4	0.011	0.3	0.250	6.4	0.145	3.683	7	31.1	67	11.7
MW0375-0350-07S	0.375	9.5	0.250	6.4	0.011	0.3	0.350	8.9	0.202	5.131	7	31.1	47	8.2
MW0375-0450-07S	0.375	9.5	0.250	6.4	0.011	0.3	0.450	11.4	0.262	6.655	7	31.1	37	6.5
MW0437-0165-04S	0.437	11.1	0.281	7.1	0.008	0.2	0.165	4.2	0.063	1.600	4	17.8	39	6.8
MW0437-0275-04S	0.437	11.1	0.281	7.1	0.008	0.2	0.275	7	0.109	2.769	4	17.8	24	4.2
MW0437-0385-04S	0.437	11.1	0.281	7.1	0.008	0.2	0.385	9.8	0.160	4.064	4	17.8	18	3.2
MW0437-0165-08S	0.437	11.1	0.281	7.1	0.011	0.3	0.165	4.2	0.082	2.083	8	35.6	96	16.8
MW0437-0275-08S	0.437	11.1	0.281	7.1	0.011	0.3	0.275	7	0.142	3.607	8	35.6	60	10.5
MW0437-0385-08S	0.437	11.1	0.281	7.1	0.011	0.3	0.385	9.8	0.198	5.029	8	35.6	43	7.5
MW0500-0180-05S	0.500	12.7	0.312	7.9	0.008	0.2	0.180	4.6	0.062	1.575	5	22.2	42	7.4
MW0500-0300-05S	0.500	12.7	0.312	7.9	0.008	0.2	0.300	7.6	0.107	2.718	5	22.2	26	4.6
MW0500-0420-05S	0.500	12.7	0.312	7.9	0.008	0.2	0.420	10.7	0.150	3.810	5	22.2	19	3.3
MW0500-0180-10S	0.500	12.7	0.312	7.9	0.010	0.3	0.180	4.6	0.065	1.651	10	44.5	87	15.2
MW0500-0300-10S	0.500	12.7	0.312	7.9	0.010	0.3	0.300	7.6	0.114	2.896	10	44.5	54	9.5
MW0500-0420-10S	0.500	12.7	0.312	7.9	0.010	0.3	0.420	10.7	0.162	4.115	10	44.5	39	6.8
MW0562-0195-05S	0.562	14.3	0.375	9.5	0.009	0.2	0.195	5	0.080	2.032	5	22.2	43	7.5
MW0562-0325-05S	0.562	14.3	0.375	9.5	0.009	0.2	0.325	8.3	0.135	3.429	5	22.2	26	4.6
MW0562-0455-05S	0.562	14.3	0.375	9.5	0.009	0.2	0.455	11.6	0.190	4.826	5	22.2	19	3.3
MW0562-0195-11S	0.562	14.3	0.375	9.5	0.012	0.3	0.195	5	0.086	2.184	11	48.9	101	17.7
MW0562-0325-11S	0.562	14.3	0.375	9.5	0.012	0.3	0.325	8.3	0.145	3.683	11	48.9	61	10.7
MW0562-0455-11S	0.562	14.3	0.375	9.5	0.012	0.3	0.455	11.6	0.209	5.309	11	48.9	45	7.9
MW0625-0180-06S	0.625	15.9	0.450	11.4	0.010	0.3	0.180	4.6	0.055	1.397	6	26.7	48	8.4
MW0625-0300-06S	0.625	15.9	0.450	11.4	0.010	0.3	0.300	7.6	0.085	2.159	6	26.7	28	4.9
MW0625-0420-06S	0.625	15.9	0.450	11.4	0.010	0.3	0.420	10.7	0.128	3.251	6	26.7	21	3.7
MW0625-0780-06S	0.625	15.9	0.450	11.4	0.010	0.3	0.780	19.8	0.238	6.045	6	26.7	11	1.9
MW0625-0180-12S	0.625	15.9	0.450	11.4	0.010	0.3	0.180	4.6	0.104	2.642	12	53.4	158	27.7
MW0625-0300-12S	0.625	15.9	0.450	11.4	0.010	0.3	0.300	7.6	0.175	4.445	12	53.4	96	16.8
MW0625-0420-12S	0.625	15.9	0.450	11.4	0.010	0.3	0.420	10.7	0.246	6.248	12	53.4	69	12.1
MW0625-0780-12S	0.625	15.9	0.450	11.4	0.010	0.3	0.780	19.8	0.454	11.532	12	53.4	37	6.5
MW0750-0250-07S	0.750	19.1	0.550	14	0.008	0.2	0.250	6.4	0.142	3.607	8	34.3	65	11.4
MW0750-0417-07S	0.750	19.1	0.550	14	0.008	0.2	0.417	10.6	0.246	6.248	8	34.3	41	7.2
MW0750-0250-13S	0.750	19.1	0.550	14	0.010	0.3	0.250	6.4	0.159	4.039	13	57.8	143	25.0
MW0750-0417-13S	0.750	19.1	0.550	14	0.010	0.3	0.417	10.6	0.270	6.858	13	57.8	88	15.4
MW0750-0250-22S	0.750	19.1	0.550	14	0.013	0.3	0.250	6.4	0.169	4.293	22	97.9	272	47.6
MW0750-0417-22S	0.750	19.1	0.550	14	0.013	0.3	0.417	10.6	0.291	7.391	22	97.9	175	30.6
MW0875-0250-12S	0.875	22.2	0.600	15.2	0.010	0.3	0.250	6.4	0.117	2.972	12	53.4	90	15.8
MW0875-0417-12S	0.875	22.2	0.600	15.2	0.010	0.3	0.417	10.6	0.207	5.258	12	53.4	57	10.0
MW0875-0250-18S	0.875	22.2	0.600	15.2	0.012	0.3	0.250	6.4	0.124	3.150	18	80.1	143	25.0
MW0875-0417-18S	0.875	22.2	0.600	15.2	0.012	0.3	0.417	10.6	0.214	5.436	18	80.1	89	15.6
MW0875-0250-25S	0.875	22.2	0.600	15.2	0.015	0.4	0.250	6.4	0.166	4.216	25	111.2	298	52.2
MW0875-0417-25S	0.875	22.2	0.600	15.2	0.015	0.4	0.417	10.6	0.278	7.061	25	111.2	180	31.5

MULTIWAVE COMPRESSION SPRINGS

Catalog #	Fits in Hole Size (a)		Shaft (b)		Stock Thickness (t)		Free Height (h) Approx		Load Height (h1)		Nominal Load at Height		Spring Rate	
	in	mm	in	mm	in	mm	in	mm	in	mm	lb	N	lb/in	N/mm
MW0875-0583-25S	0.875	22.2	0.600	15.2	0.015	0.4	0.583	14.8	0.395	10.033	25	111.2	133	23.3
MW1000-0250-12S	1.000	25.4	0.730	18.5	0.010	0.3	0.250	6.4	0.084	2.134	12	53.4	72	12.6
MW1000-0417-12S	1.000	25.4	0.730	18.5	0.010	0.3	0.417	10.6	0.145	3.683	12	53.4	44	7.7
MW1000-0583-12S	1.000	25.4	0.730	18.5	0.010	0.3	0.583	14.8	0.201	5.105	12	53.4	31	5.4
MW1000-0250-18S	1.000	25.4	0.730	18.5	0.012	0.3	0.250	6.4	0.087	2.210	18	80.1	110	19.3
MW1000-0417-18S	1.000	25.4	0.730	18.5	0.012	0.3	0.417	10.6	0.148	3.759	18	80.1	67	11.7
MW1000-0583-18S	1.000	25.4	0.730	18.5	0.012	0.3	0.583	14.8	0.212	5.385	18	80.1	49	8.6
MW1000-0250-25S	1.000	25.4	0.730	18.5	0.015	0.4	0.250	6.4	0.131	3.327	25	111.2	210	36.8
MW1000-0417-25S	1.000	25.4	0.730	18.5	0.015	0.4	0.417	10.6	0.227	5.766	25	111.2	132	23.1
MW1000-0583-25S	1.000	25.4	0.730	18.5	0.015	0.4	0.583	14.8	0.319	8.103	25	111.2	95	16.6
MW1125-0300-12S	1.125	28.6	0.850	21.6	0.012	0.3	0.300	7.6	0.146	3.708	12	53.4	78	13.7
MW1125-0500-12S	1.125	28.6	0.850	21.6	0.012	0.3	0.500	12.7	0.250	6.350	12	53.4	48	8.4
MW1125-0700-12S	1.125	28.6	0.850	21.6	0.012	0.3	0.700	17.8	0.344	8.738	12	53.4	34	6.0
MW1125-0300-20S	1.125	28.6	0.850	21.6	0.015	0.4	0.300	7.6	0.160	4.064	20	89.0	143	25.0
MW1125-0500-20S	1.125	28.6	0.850	21.6	0.015	0.4	0.500	12.7	0.270	6.858	20	89.0	87	15.2
MW1125-0700-20S	1.125	28.6	0.850	21.6	0.015	0.4	0.700	17.8	0.381	9.677	20	89.0	63	11.0
MW1125-0300-30S	1.125	28.6	0.850	21.6	0.018	0.5	0.300	7.6	0.178	4.521	30	133.4	246	43.1
MW1125-0500-30S	1.125	28.6	0.850	21.6	0.018	0.5	0.500	12.7	0.303	7.696	30	133.4	152	26.6
MW1125-0700-30S	1.125	28.6	0.850	21.6	0.018	0.5	0.700	17.8	0.421	10.693	30	133.4	108	18.9
MW1250-0300-12S	1.250	31.8	1.000	25.4	0.012	0.3	0.300	7.6	0.084	2.134	12	53.4	56	9.8
MW1250-0500-12S	1.250	31.8	1.000	25.4	0.012	0.3	0.500	12.7	0.149	3.785	12	53.4	34	6.0
MW1250-0700-12S	1.250	31.8	1.000	25.4	0.012	0.3	0.700	17.8	0.207	5.258	12	53.4	24	4.2
MW1250-0300-20S	1.250	31.8	1.000	25.4	0.015	0.4	0.300	7.6	0.124	3.150	20	89.0	114	20.0
MW1250-0500-20S	1.250	31.8	1.000	25.4	0.015	0.4	0.500	12.7	0.215	5.461	20	89.0	70	12.3
MW1250-0700-20S	1.250	31.8	1.000	25.4	0.015	0.4	0.700	17.8	0.303	7.696	20	89.0	50	8.8
MW1250-0300-30S	1.250	31.8	1.000	25.4	0.019	0.5	0.300	7.6	0.158	4.013	30	133.4	210	36.8
MW1250-0500-30S	1.250	31.8	1.000	25.4	0.019	0.5	0.500	12.7	0.272	6.909	30	133.4	132	23.1
MW1250-0700-30S	1.250	31.8	1.000	25.4	0.019	0.5	0.700	17.8	0.384	9.754	30	133.4	95	16.6
MW1375-0300-15S	1.375	34.9	1.030	26.2	0.012	0.3	0.300	7.6	0.075	1.905	15	66.7	67	11.7
MW1375-0500-15S	1.375	34.9	1.030	26.2	0.012	0.3	0.500	12.7	0.129	3.277	15	66.7	40	7.0
MW1375-0700-15S	1.375	34.9	1.030	26.2	0.012	0.3	0.700	17.8	0.179	4.547	15	66.7	29	5.1
MW1375-0300-25S	1.375	34.9	1.030	26.2	0.016	0.4	0.300	7.6	0.142	3.607	25	111.2	158	27.7
MW1375-0500-25S	1.375	34.9	1.030	26.2	0.016	0.4	0.500	12.7	0.240	6.096	25	111.2	96	16.8
MW1375-0700-25S	1.375	34.9	1.030	26.2	0.016	0.4	0.700	17.8	0.340	8.636	25	111.2	69	12.1
MW1375-0300-35S	1.375	34.9	1.030	26.2	0.018	0.5	0.300	7.6	0.149	3.785	35	155.7	232	40.6
MW1375-0500-35S	1.375	34.9	1.030	26.2	0.018	0.5	0.500	12.7	0.247	6.274	35	155.7	138	24.2
MW1375-0700-35S	1.375	34.9	1.030	26.2	0.018	0.5	0.700	17.8	0.343	8.712	35	155.7	98	17.2
MW1500-0300-20S	1.500	38.1	1.140	29	0.016	0.4	0.300	7.6	0.129	3.277	20	89.0	117	20.5
MW1500-0500-20S	1.500	38.1	1.140	29	0.016	0.4	0.500	12.7	0.213	5.410	20	89.0	70	12.3
MW1500-0700-20S	1.500	38.1	1.140	29	0.016	0.4	0.700	17.8	0.301	7.645	20	89.0	50	8.8
MW1500-0300-35S	1.500	38.1	1.140	29	0.018	0.5	0.300	7.6	0.122	3.099	35	155.7	197	34.5
MW1500-0500-35S	1.500	38.1	1.140	29	0.018	0.5	0.500	12.7	0.206	5.232	35	155.7	119	20.8
MW1500-0700-35S	1.500	38.1	1.140	29	0.018	0.5	0.700	17.8	0.291	7.391	35	155.7	86	15.1
MW1500-0300-60S	1.500	38.1	1.140	29	0.018	0.5	0.300	7.6	0.166	4.216	60	266.9	448	78.5
MW1500-0500-60S	1.500	38.1	1.140	29	0.018	0.5	0.500	12.7	0.278	7.061	60	266.9	270	47.3
MW1500-0700-60S	1.500	38.1	1.140	29	0.018	0.5	0.700	17.8	0.390	9.906	60	266.9	194	34.0
MW1750-0375-25S	1.750	44.5	1.340	34	0.018	0.5	0.375	9.5	0.155	3.937	25	111.2	114	20.0
MW1750-0625-25S	1.750	44.5	1.340	34	0.018	0.5	0.625	15.9	0.265	6.731	25	111.2	69	12.1
MW1750-0870-25S	1.750	44.5	1.340	34	0.018	0.5	0.870	22.1	0.367	9.322	25	111.2	50	8.8
MW1750-0375-50S	1.750	44.5	1.340	34	0.018	0.5	0.375	9.5	0.188	4.775	50	222.4	267	46.8
MW1750-0625-50S	1.750	44.5	1.340	34	0.018	0.5	0.625	15.9	0.315	8.001	50	222.4	161	28.2
MW1750-0870-50S	1.750	44.5	1.340	34	0.018	0.5	0.870	22.1	0.452	11.481	50	222.4	120	21.0
MW1750-0375-90S	1.750	44.5	1.340	34	0.024	0.6	0.375	9.5	0.232	5.893	90	400.3	629	110.2
MW1750-0625-90S	1.750	44.5	1.340	34	0.024	0.6	0.625	15.9	0.409	10.389	90	400.3	417	73.0
MW1750-0870-90S	1.750	44.5	1.340	34	0.024	0.6	0.870	22.1	0.577	14.656	90	400.3	307	53.8
MW2000-0375-25S	2.000	50.8	1.600	40.6	0.018	0.5	0.375	9.5	0.094	2.388	25	111.2	89	15.6
MW2000-0625-25S	2.000	50.8	1.600	40.6	0.018	0.5	0.625	15.9	0.158	4.013	25	111.2	54	9.5
MW2000-0870-25S	2.000	50.8	1.600	40.6	0.018	0.5	0.870	22.1	0.217	5.512	25	111.2	38	6.7
MW2000-0375-50S	2.000	50.8	1.600	40.6	0.018	0.5	0.375	9.5	0.140	3.556	50	222.4	213	37.3
MW2000-0625-50S	2.000	50.8	1.600	40.6	0.018	0.5	0.625	15.9	0.245	6.223	50	222.4	132	23.1
MW2000-0870-50S	2.000	50.8	1.600	40.6	0.018	0.5	0.870	22.1	0.345	8.763	50	222.4	95	16.6
MW2000-0375-90S	2.000	50.8	1.600	40.6	0.024	0.6	0.375	9.5	0.197	5.004	90	400.3	506	88.6
MW2000-0625-90S	2.000	50.8	1.600	40.6	0.024	0.6	0.625	15.9	0.332	8.433	90	400.3	307	53.8
MW2000-0870-90S	2.000	50.8	1.600	40.6	0.024	0.6	0.870	22.1	0.465	11.811	90	400.3	222	38.9

ALTERNATIVE FINISHES

ASRaymond - SPEC has the largest line of high-quality, precision-engineered stock springs and washers on the market today. They are all immediately available per the specifications indicated in these catalog pages. But our commitment to you does not stop here. We recognize that your application

might include a special plating or even a secondary color coating – all available from ASRaymond SPEC as well. We offer a variety of specific processes and treatments that we have summarized in the following tables.

FINISH	SUB-FINISH	CODE	NOTES	
Electrodeposited Zinc	As Plated	01	Not recommended for: Heavy Duty Compression Springs, Belleville Spring Washers, Metric Disc Springs, Curved Spring Washers, Larger Wave Spring Washers (W3118-035 & up), MultiWave Washers, and Finger Washers	
	w/ Clear Chromate	02		
	w/ Yellow Chromate	03		
Electrodeposited Cad	As Plated	04		
	w/ Clear Chromate	05		
	w/ Yellow Chromate	06		
Electrodeposited Nickel	As Plated	07		
Electroless Nickel	As Plated	08		
Electrodeposited Tin	As Plated	09		
Electrodeposited Zinc-Nickel	w/ Clear Chromate	10		
	w/ Yellow Chromate	11		
Mechanical Zinc	As Plated	12	Not recommended for: MultiWave Washers or Finger Washers	
	w/ Clear Chromate	13		
	w/ Yellow Chromate	14		
Mechanical Tin	As Plated	15		
	w/ Yellow Chromate	16		
Mechanical Zinc-Nickel	As Plated	17		
Vacuum Cad	As Plated	18		
	w/ Yellow Chromate	19		
Zinc Phosphate and Oil	As Plated	20		Not recommended for: Belleville Spring Washers, Metric Disc Springs, Curved Spring Washers, and Stainless MultiWave Washers
Black Oxide and Oil	As Plated	21		
Dacromet 320®	As Plated	22	Not recommended for: MultiWave Washers	
Passivation		23	Not recommended for: Steel Parts (of all types), and MultiWave Washers	
Dacromet 320® with Plus Coating		25	Not recommended for: Continuous length extension springs, Fasteners, MultiWave Washers	
Thermadep® Paint		26	Not recommended for: Continuous length extension springs, Fasteners	
Painted Finish for Color Coating		27		
Electrodeposited Cadmium Plate	(QQ-P-416)	28	Not recommended for: Heavy Duty Compression Springs, Belleville Spring Washers, Metric Disc Springs, Curved Spring Washers, Larger Wave Spring Washers (W3118-035 & up), MultiWave Washers, and Finger Washers	
	With Yellow Chromate, supplementary Coating (QQ-P-416)	29		
Tacky Board		30	Not recommended for: Heavy Duty Compression Springs, Continuous Springs, and Fasteners	
RoHs Electrodeposited Zinc Plate	As Plated	31	Not recommended for: Heavy Duty Compression Springs, Belleville Spring Washers, Metric Disc Springs, Curved Spring Washers, Larger Wave Spring Washers (W3118-035 & up), MultiWave Washers, and Finger Washers	
	With Clear Chromate Supplementary Coating	32		
	With Yellow Chromate Supplementary Coating	33		
RoHs Electrodeposited Nickel	As Plated	34		
RoHs Passivation		35	Not recommended for: Steel Parts (of all types)	
Dip and Spin Painting		36		
Passivation	ASTM A967-Citric	37	Not recommended for: Steel Parts (of all types)	
RoHs Mechanical Zinc Plate	With Yellow Chromate Supplementary Coating	38	Not recommended for: Heavy Duty Compression Springs, MultiWave Washers, and Finger Washers	
Geomet® Coating		39	Not recommended for: MultiWave Washers	
RoHs Mechanical Zinc Plate	With Clear Chromate Supplementary Coating	40	Not recommended for: Heavy Duty Compression Springs, MultiWave Washers, and Finger Washers	
Temperature Indicating Coating		41	Not recommended for: MultiWave Washers, and Retaining Rings	
High Performance Teflon Coating		42	Not recommended for: Fasteners	

SPECIAL SPRINGS

Company: _____
 Address: _____
 City: _____
 State: _____
 Attn: _____
 Phone: _____ Fax: _____
 Email: _____

In Office Use Only

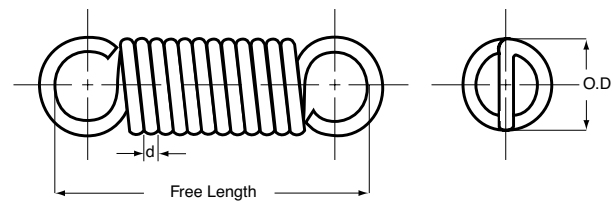
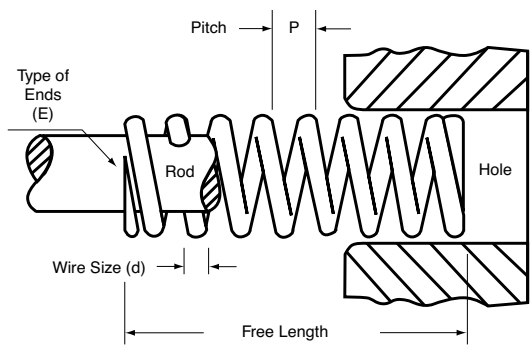
Date Received: _____
 Date Quoted: _____
 Quoted By: _____

Compression

Quantity Required
Wire Size
Type of Wire
Outside Diameter
Inside Diameter
Free Length
Hole Size
Rod Size
No. of Coils
Pitch
Rate
Solid Height
Direction of Coils
Type of Ends
Test Loads
Print Available?
Finish
Comments

Extension

Quantity Required
Wire Size
Type of Wire
Outside Diameter
Inside Diameter
Free Length
Initial Tension
No. of Coils
Pitch
Rate
Maximum Extension
Direction of Coils
Type of Loops
Test Loads
Print Available?
Finish
Comments



SPECIAL SPRINGS

CUSTOM-ENGINEERED PARTS AND SPECIAL ORDERS

If you are looking for a special spring, spring washer, assembly or engineered component and cannot find it in this catalog, let us know, and we will design it for you, to your specifications. Our unique technical capabilities and resources allow us to provide custom-engineered parts and components to a multitude of industries and applications, ranging from aerospace to medical devices to food service.

Your special order is very important to us: When you deal with ASRaymond, you can be certain that we will assist you with high quality custom-engineered parts, from design right into production – at the right price and to your delivery requirements.

Give us a call at (800) 872-7732, and let our expertise work for you.

Below is a snapshot of our various capabilities:

Compression Springs

- Resists applied push forces
- Cylindrical, conical, and barrel-shaped
- Wire diameter: .004" to 3"
- Typical applications include transportation and medical equipment

Extension Springs

- Resists applied pull forces
- Various end types available
- Wire diameter: .004" to .625"
- Typical applications include dental furniture, attic door hatches, and playground equipment

Torsion Springs

- Resists applied torque
- Single or double wound
- Open or closed wound
- Various end types available
- Wire diameter: .005" to .625"
- Typical applications include truck doors, ATM machines and printers

Die Springs

- Resists applied compression forces
- Hole diameter: .375" to 4"
- Wire shapes: D, Square, Round, Rectangular
- Typical applications include stamping and molding dies

Constant Force Springs

- Used as counterbalance
- Inside diameter mounted on drum – self-contained outer diameter
- Typical applications include window shades and display racks

Power Springs

- Resists applied torque
- Contained by arbor and case
- Coils contact each other
- Typical applications include motors and retractor mechanisms

Spiral Torsion Springs

- Resists applied torque
- Self contained
- Coils do not contact each other
- Typical applications include motors and timing mechanisms

Garter Springs

- Garter springs are extension springs with ends connected
- Exerts radial forces
- Outside coil diameter: .039" to .250"
- Wire diameter: .006" to .034"
- Primary application is oil seals

Belleville Washers

- High forces in small deflections
- Also known as conical or disc washers
- OD up to 24"
- Linear and non-linear force/deflection curves
- Made to fit specified rod and/or hole fit
- Assembled in parallel or series to modify force and deflection
- Typical applications include stamping dies and clutches

Curved Washers

- Exert light thrust loads
- Made to fit specified rod and/or hole fit
- Often used to absorb axial end play

Wave Washers

- Exert moderate thrust loads
- Made to fit specified rod and/or hole fit
- Often used for bearing preload

Wire Forms

- Non-traditional force applications
- Wire diameter: .004" to .625"
- Typical applications include nozzles and clamps

Stampings

- Per customer specification
- Material thickness: .010" to .375"

Materials:

- Carbon steels: Music wire, hard drawn, oil tempered
- Pre plated music wire: Tin and Zinc
- Alloy steels: Chrome silicon – commercial and valve quality
- Stainless Steels: 302, 316, 17-7
- Exotic: Inconel® 600, 718, and X750, Hastelloy®, Beryllium Copper, titanium, etc.....
- Round, rectangular, and square wire available

Special Processing (see more information on page 313):

- Passivation
- Zinc, cadmium, nickel, tin plating and black oxide
- Dacromet®, Dacroseal, Geomet®, Dip and Spin
- Enamel, epoxy and temperature-indicator paint
- Shot peening
- Liquid penetrant and magnetic particle inspection
- Special packaging available (including tacky board)
- Mechanical Zinc Plate*

* Standard finish for high carbon steel is plain finish. Stainless steel is supplied in plain finish. On special order, high carbon steel washers may be mechanically plated, a process which substantially reduces the possibility of hydrogen embrittlement. Recommendations for specific applications will be made on request. See page 311 for alternative finishes.

NOTES

Blank lined area for notes, consisting of 15 horizontal gray bars.

NOTES

Blank lined area for notes.

NOTES

Blank lined area for notes, consisting of 15 horizontal gray bars.

NOTES

Blank lined area for notes.

TERMS OF SALE

1. With respect to goods purchased by Buyer from Seller ("Goods"), no contract exists until Buyer places order for delivery and such order is accepted by Seller's acknowledging receipt of the order, by Seller's commencement of work on the Goods ordered, or by Seller's shipment of the Goods, whichever occurs first. Any acceptance will be limited to the express terms contained on the face hereof. Additional or different terms in Buyer's form or any attempt by Buyer to vary in any degree any of the terms of this quotation shall be deemed material and are objected to and rejected, but this shall not prevent the formation of a contract between Buyer and Seller unless such variances are in the terms of the description, quantity, price or delivery schedule of the goods, and the order shall be deemed accepted by Seller without said additional or different terms.

2. All agreements are contingent upon strikes, accidents and other reasons for delay beyond Seller's control.

3. Where a separate charge is made for specially designed tools and dies, Seller will maintain such tools and dies without further cost to Buyer for the life of such tool or die so long as the part remains active and the design is not changed and Seller will not use such tools and dies for others without Buyer's permission, but Buyer acquires no right to remove any such tools or dies from Seller's factory.

4. Seller warrants to Buyer that the Goods purchased by Buyer from Seller shall be free from defects in material and workmanship. This warranty is the only warranty applicable to the Goods. **THERE ARE NO OTHER WARRANTIES OF ANY KIND, EXPRESS OR IMPLIED, INCLUDING BUT NOT LIMITED TO THE IMPLIED WARRANTIES OF MERCHANTABILITY AND FITNESS FOR A PARTICULAR PURPOSE WHICH ARE HEREBY DISCLAIMED.**

5. All Goods shall be inspected by Buyer when received and Seller shall not be liable for any defect unless notified in writing within 60 days after delivery.

6. Seller's liability for breach of warranty shall be limited solely and exclusively to repairing or replacing, at Seller's option, the defective Goods. In no event shall the liability of Seller for breach of any contractual provision relating to the Goods exceed the purchase price of the Goods quoted herein. In no event shall Seller be liable for any special, incidental or consequential damages arising out of Buyer's use or sale of the Goods or Seller's breach of any contractual provisions relating to the Goods, including but not limited to any loss of profits or production by Buyer. Any action resulting from any breach by Seller must be commenced within one year after the cause of action accrued.

7. Except to the extent caused by Seller's breach of warranty, Buyer shall indemnify and hold harmless Seller, its employees, officers and directors, and their respective successors and assigns, (collectively, "Indemnities") from and against any and all liability, damages, claims, causes of action, losses, costs and expenses (including attorneys' fees) of any kind (collectively, "Damages") arising out of injuries to any person (including death) or damage to any property caused by or related to the Goods or any negligent act or omission of Buyer, its employees or agents. Buyer shall indemnify and hold harmless each of the Indemnities from and against any and all Damages, royalties and license fees arising from or for infringement of any patent by reason of any sale or use of the Goods or the manufacture of the Goods to Buyer's specifications or sample. Upon the tendering of any of the foregoing suits or claims to Buyer, Buyer shall defend the same at Buyer's expense. The foregoing obligations of Buyer shall apply whether Seller or Buyer defends such suits or claim.

8. Seller reserves the right to over and under ship by not more than 10% of specified quantity.

9. Small quantities are considered prototype quantities and cannot be returned since the cost of re-inspecting and handling them is generally higher than the value of the parts. Larger quantities may not be returnable depending on the ability to re-sell these parts within a reasonable time period. Special runs are not returnable. All returns must be authorized and an Authorization Number is required. Please contact our Customer Service at springsales@asraymond.com or by phone at 419-891-9292. Unauthorized returns will be returned at customer's expense. All authorized returns must be in their original packaging and labeling to insure lot control integrity. Parts cannot be altered or used in any fashion. Parts from separate lots cannot be mixed. A restocking fee will be charged to authorized returns. Additional charges may be required for re-inspection, cleaning and repackaging. Credit for damaged parts will not be issued. All returns will be shipped to the authorized return center pre-paid by sender. Actual credit issued will be for the quantity of acceptable parts at the original piece price, less the restocking charge, less the original freight and any other charges that are necessary to return the parts to a saleable condition.




10. Please note that all indicated prices on our web site are in US\$, and are for standard product shipped within the continental USA, including Alaska. For Canada orders, please call 1-800-263-4256 - Fax (419) 891-5979. For all other countries, please contact our Customer Service Department as indicated above or our International Distributors listed on page 319.

The product data reported in this catalog represents typical values and is not intended to duplicate any specific customer's test results. For product-specific AQL's, contact your ASR sales representative, as indicated tolerances may not apply. The catalog data presented is intended to be used as a guide only. It is not intended to be used to determine the suitability of the product for any specific customer application. AS Raymond strongly suggests that each customer thoroughly test the AS Raymond product to determine the actual suitability of the AS Raymond product in their specific application. The customer is responsible for determining the suitability of AS Raymond products in their applications. For more detailed information about these catalog products please contact your AS Raymond sales representative.

FOR ADDITIONAL INFORMATION ON
ASRAYMOND POLICIES, VISIT
WWW.ASRAYMOND.COM/FAQ

ASRAYMOND, A WORLD CLASS SUPPLIER

Our International Locations. ASRaymond products are distributed throughout the world. To locate our local distributor, see the listing below.

AMERICAS	EUROPE & MIDDLE EAST	ASIA/PACIFIC
 <p>United States ASRaymond Global Headquarters 370 W. Dussel Dr. - Suite A Maumee, OH 43537 Phone: 419-891-9292 Fax: 419-891-9192 E-mail: springsales@asraymond.com www.asraymond.com</p> <p>Mexico Raymond Distribution - Mexico SA de CV Av. Concordia No. 4601-A Col. Apodaca Centro Apodaca, N.L. Mexico 66600 Phone: +52-81-81450680 Fax: +52-81-81450679 E-mail: ventas@asraymond.com www.asraymond.com.mx</p>	 <p>United Kingdom SPEC Ltd. European Headquarters Unit 4 Grosvenor Business Centre Vale Park Evesham WR11 1GS Phone: 01386 443366 E-mail: sales@assocspring.co.uk www.assocspring.co.uk</p> <p>France Resorts SPEC Batiment HERMES 2 ZA de Pissaloup 4 rue Edouard Branly 78190 TRAPPES Phone: 01 30 68 6363 Fax: 01 30 68 4050 E-mail: info@ressortsspec.com www.ressortsspec.com</p> <p>Germany ASRaymond GmbH Heimrodstr. 10 64625 Bensheim, Deutschland Phone: (49) 6251 93-3858-04 Fax: (49) 6021-44-566-46 E-mail: info@asraymond.de www.asraymond.de</p> <p>Spain Barnes Group Spain, S.R.L. La Iema 6 - Pab. 5 01013 Vitoria-Gasteiz Phone: 0034 945 147542 Fax: 0034 945 137655 E-mail: ventas@bgespana.com www.bgespana.com</p>	 <p>Singapore ASRaymond Asia 15A Tuas Road Jurong Singapore 638517 Phone: (65) 6863 5636 Fax: (65) 6863 6325 E-mail: sales@raymondasia.com www.raymondasia.com</p> <p>China ASRaymond (Shanghai) Co., Ltd. 5th Floor (North) No. 4 Building No. 825 Ningqiao Road Pudong New District Shanghai 201206, China E-mail: csr.cn@raymondasia.com www.asraymond.cn</p>
<p>Canada Producto 349 Bowes Rd. Unit 21 Vaughan, ON L4L-8A3 Phone: 905-856-9990 Fax: 905-856-9887 Email: sales@productodiemakers.com www.productodiemakers.com</p> <p>United States DIECO 30600 Aurora Rd Ste 160 Solon, OH 44139 Phone: 1-800-237-1440 Fax: 1-440-542-0250 www.dieco.us</p> <p>D-M-E 29111 Stephenson Hwy. Madison Heights MI 48071 USA Phone: +248.398.6000 Fax: +248.398.6174 na.dmecompany.com</p> <p>Fastenal Phone: 877-507-7555 www.fastenal.com</p> <p>W.W. Grainger, Inc. Phone: 1-800-472-4643 www.grainger.com</p> <p>Marathon Sales, Inc. 17599 Paxton Ave Lansing, IL 60438 Phone: 1-800-221-7317 Fax : 1-800-726-3078 www.marathonsalesinc.com</p> <p>MSC Industrial Supply Co. Phone: 1-800-645-7270 www.mscdirect.com</p> <p>Superior Die Set Corp. 900 W Drexel Ave, Oak Creek, WI 53154 Phone (414) 764-4900 Fax (800) 657-0855 www.supdie.com</p>	<p>Czech Republic Cecho – Bohumil Cempírek S.R.O Polnicka 151 591 01 Zďár nad Sázavou Phone: 00 420 566 620705 Fax: 00 420 566 620706 E-mail: pruziny@cecho.cz www.cecho.cz</p> <p>Denmark Sodemann Industrijedre A/S Industrivej 21 DK 8260 Viby-J Denmark Phone: (45) 86 72 00 99 Fax: (45)86 29 97 86 E-mail: sif@fjedre.dk www.fjedre.dk</p> <p>Finland Meconet Oy Honkanummentie 8 FI-01260 Vantaa Phone: +358 (0) 207 699 300 Fax: +358 (0) 207 699 335 E-mail: reino.heikkinen@meconet.net www.meconet.net</p> <p>Germany Febrotec GmbH Frankfurter Strasse 76 D-58553 Halver Phone: (49) 2353 4866 Fax: (49) 2353 4301 E-mail: federn@febrotec.de www.febrotec.de</p> <p>Hungary Biotek KFT 1165 Budapest Bokenyfoldi UT 104 Hungary Phone: (36) 1 434 2900 Fax: (36) 1 260 8635 Email: biotek@biotek.hu</p> <p>Israel Delta Elkon Mechanical Products Ltd. P.O. Box 8262 New Industrial Zone South Netaneya 42504 Phone: (972) 1 599 500 557 Fax: (972) 9 865 8492 E-mail: natasha@delta-elkon.co.il www.delta-elkon.co.il</p> <p>Italy Metersprings Srl Via Molino 64 13891 Camburzano (BI) P.IVA C.F. 02132550027 Phone: (39) 015 23581 Fax: (39) 015 23646 E-mail: meter@meterspec.it www.meterspec.it</p> <p>The Netherlands Amatec Jac P Thijsseweg 14 NL-2408 ER Alphen Aan Den Rijn The Netherlands Phone: (31) 172 439359 Fax: (31) 172 440313 E-mail: info@amatec.nl www.amatec.nl</p> <p>Poland FCPK-BYTÓW Sp. z o.o. ul.Le borska 26 77-100 Bytów Phone: (48) 59 822 2026 Fax: (48) 59 822 9703 E-mail: fcpk@fcpk.com.pl www.fcpk.com.pl</p> <p>Sweden EWES STÅLFJÄDER AB Lundavagen 45 S-330 10 Bredaryd Phone: (46) 370 86700 Fax: (46) 370 86249 E-mail: info@ewes.se www.ewes.se</p> <p>Switzerland Ressor ts du Léman Chemin de la Gravière 16 1225 Chêne-Bourg Phone: +41 (0) 22 860 13 10 Fax: +41 (0) 22 860 13 12 E-mail: info@ressortsduleman.ch www.ressortsduleman.ch</p>	<p>India Star Circlips & Engineering Ltd Hingna Industrial Estate Nagpur-440 016 Phone: (91) 7104 234742 Fax: (91) 7104 237628 E-mail: sales@starcirclips.net www.starcirclips.com</p>

ASR LOCATIONS

ASR DISTRIBUTORS

The Largest Selection of Engineered Spring Solutions in the World!



ASRAYMOND utilizes 135 years of spring design expertise to provide its customers with a solution for their industrial spring needs. With the largest and most comprehensive selection of catalog products ranging from mechanical wire springs and spring washers to mechanical die springs, gas springs and mechanical struts, ASRAYMOND can reduce the cost and lead time compared to custom designs. This allows customers to rapidly prototype their innovation or keep their operation lines in motion to better serve their customers and gain a competitive edge in their respective markets.

Raymond **m-Struts** **SPEC** **n-Struts** **SPD** **CloverDome**
UNMATCHED PERFORMANCE Stock Precision Engineered Components FLUID PERFORMANCE EVERYTIME

AUSTRALIA | BRAZIL | CANADA | CHINA | CZECH REPUBLIC | DENMARK | FINLAND | FRANCE
 GERMANY | HUNGARY | INDIA | IRELAND | ISRAEL | ITALY | MEXICO | NETHERLANDS | POLAND
 RUSSIA | SINGAPORE | SPAIN | SWEDEN | SWITZERLAND | UNITED KINGDOM | UNITED STATES



Toll Free: **1.800.872.7732** | Fax: 419.891.9192 | www.ASRAYMOND.com